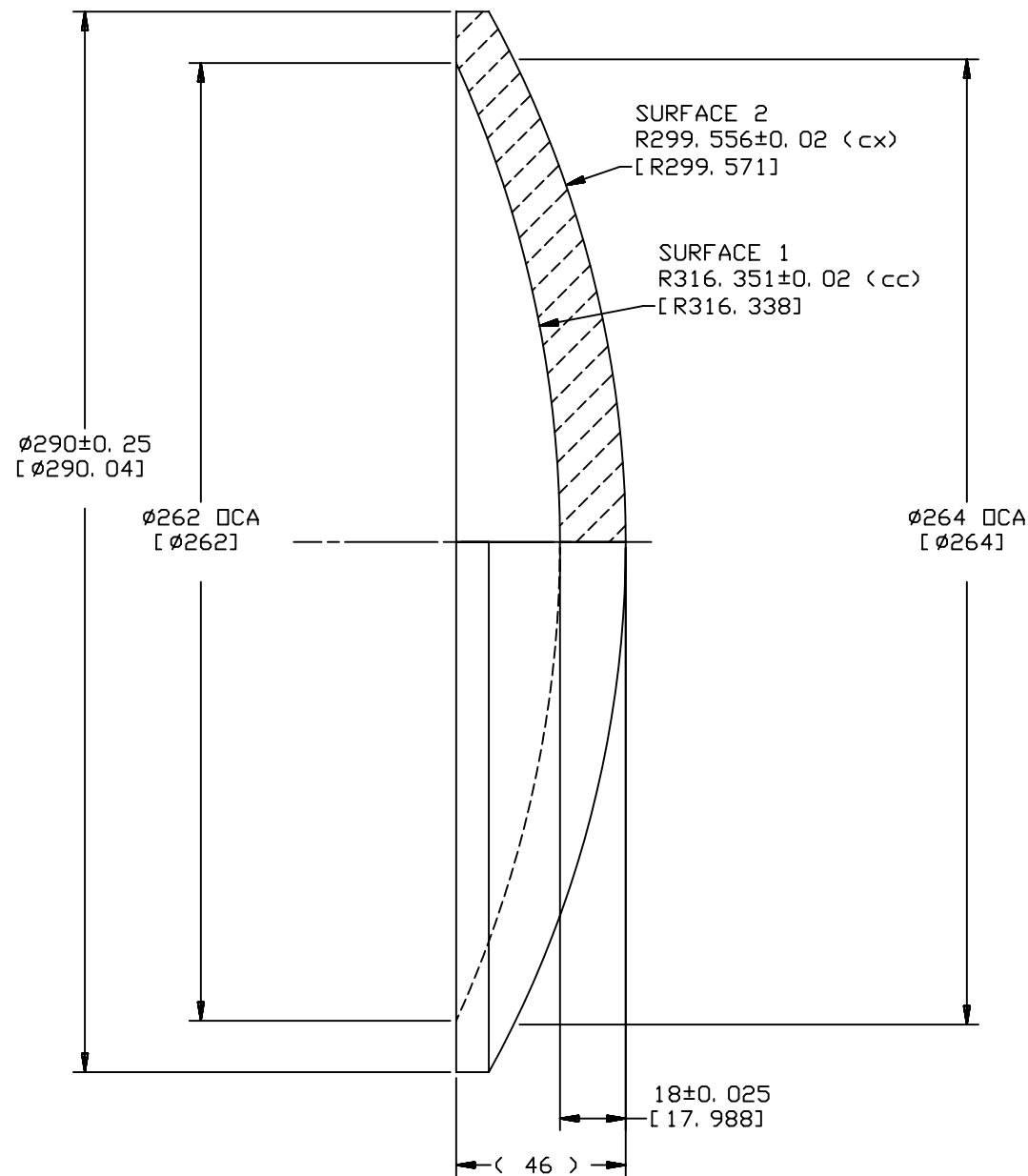
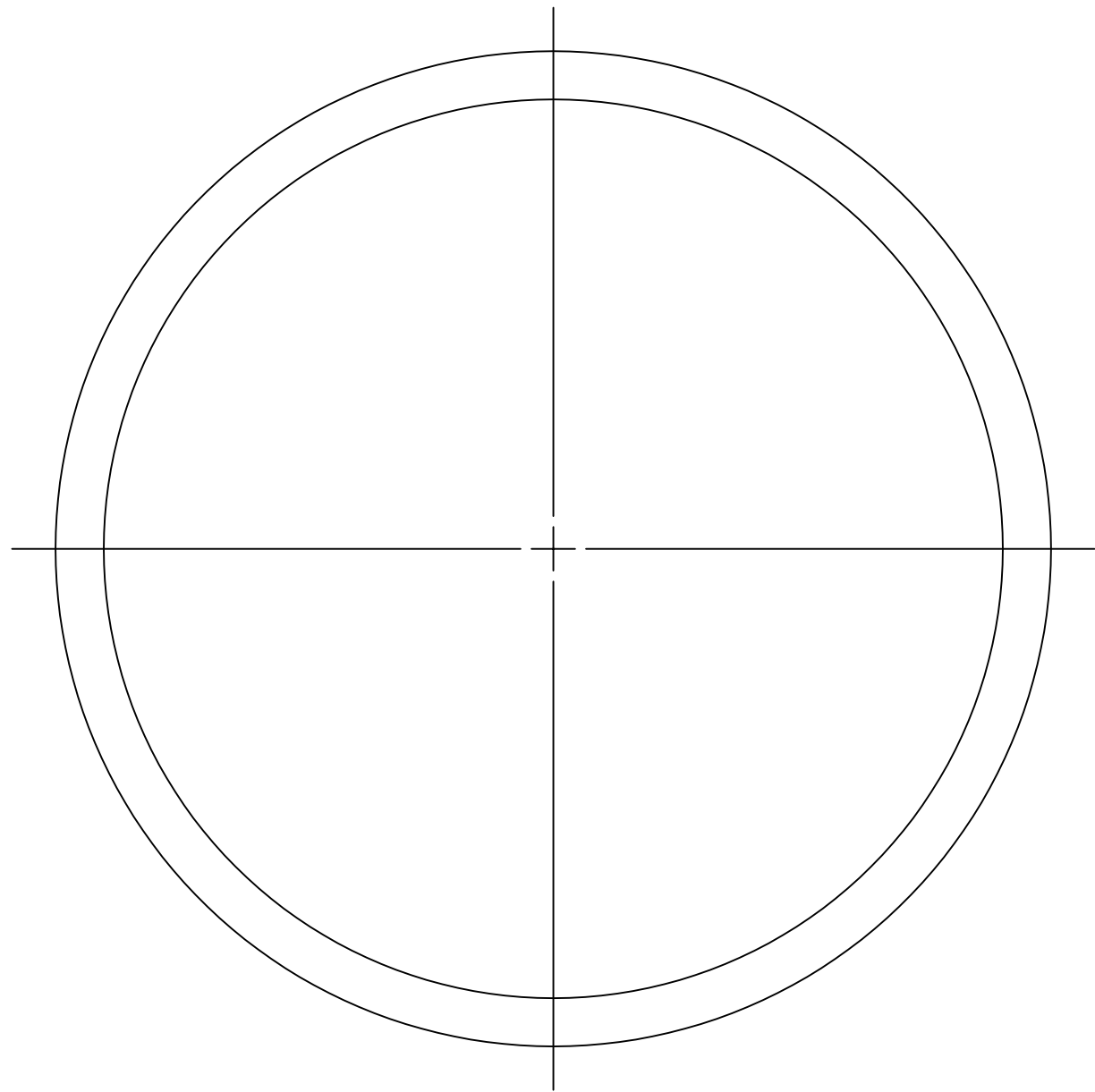


REVISIONS				
LTR	DESCRIPTION	DATE	REVISED BY	APPROVED
A	INITIAL RELEASE	4/16/03	R. NAGY	M. REED
B	[17.988] WAS [17.998] (NOT A DESIGN CHANGE) DWG ERROR	4/23/03	R. NAGY	M. REED



- NOTES:
- ALL DIMENSIONS ARE IN MILLIMETERS AND FRINGES AT HENE WAVELENGTH UNLESS OTHERWISE NOTED.
  - DIMENSIONS & OTHER INFORMATION NOT IN BRACKETS [ ] ARE SPECIFICATIONS; THOSE IN BRACKETS [ ] ARE AS-BUILT MEASUREMENTS BY OPTICAL SOLUTIONS INC. DATED 1/2/03.
  - COMBINED AXIAL RUN OUT FROM SURFACES 1 & 2 (WEDGE) TO BE 0.025 [0.015]mm.
  - SURFACE SPECIFICATIONS:

SURFACES 1 & 2:

POWER (wv) . . . . . 1.000 [-]

SURFACE QUALITY/SD . . . 40/20 [<40/20]

SURFACE 1:

SAG . . . . . 28.398 [28.442]

IRREGULARITY (wv) . . . 0.250 [.133 CENTER/.248 EDGE]

SURFACE 2:

SAG . . . . . 37.432 [37.441]

IRREGULARITY (wv) . . . 0.250 [.097 CENTER/.191 EDGE]

DO NOT SCALE DRAWING		THIS DRAWING CREATED IN:		Steward Observatory, University of Arizona 933 N. Cherry Avenue, Tucson, AZ 85721 (520)621-7659			
INTERPRET DIMENSIONS AND TOLERANCES IN ACCORDANCE WITH ASME Y14.5M-94		ACAD	MECH	IDEAS	DESIGNED BY: M. REED/D. DEAN	DATE: 3/13/03	CATEGORY: MMT
TOLERANCES UNLESS OTHERWISE SPECIFIED		<input type="checkbox"/>	<input type="checkbox"/>	<input checked="" type="checkbox"/>	DRAWN BY: R. NAGY	4/3/03	PROJECT: MAESTRO
LINEAR .XX = NA					CHECKED BY: M. REED	4/16/03	TITLE: LENS-ELEMENT 3
ANGULAR .XXX = NA					APPROVED: M. REED	4/16/03	
DIAMETRICAL SEE SPEC S-002					APPROVED:		
DIMENSIONS ARE IN INCHES / DIMENSIONS IN [ ] ARE METRIC					APPROVED:		
MATERIAL PBM18Y		-	MMT		APPROVED:		PLOT SIZE SCALE: D 1/1
FINISH NO COATING		NEXT ASSY	USED ON		APPROVED:		DRAWING NUMBER: 12872
ASSEMBLY APPLICATION				CURRENT TIME/DATE/FILE LOCATION: DRAWING ARCHIVE LOCATION: <a href="http://dev1nc1.as.arizona.edu/acad/default.html">http://dev1nc1.as.arizona.edu/acad/default.html</a>			
							REVISION: B
							SHEET 1 OF 1