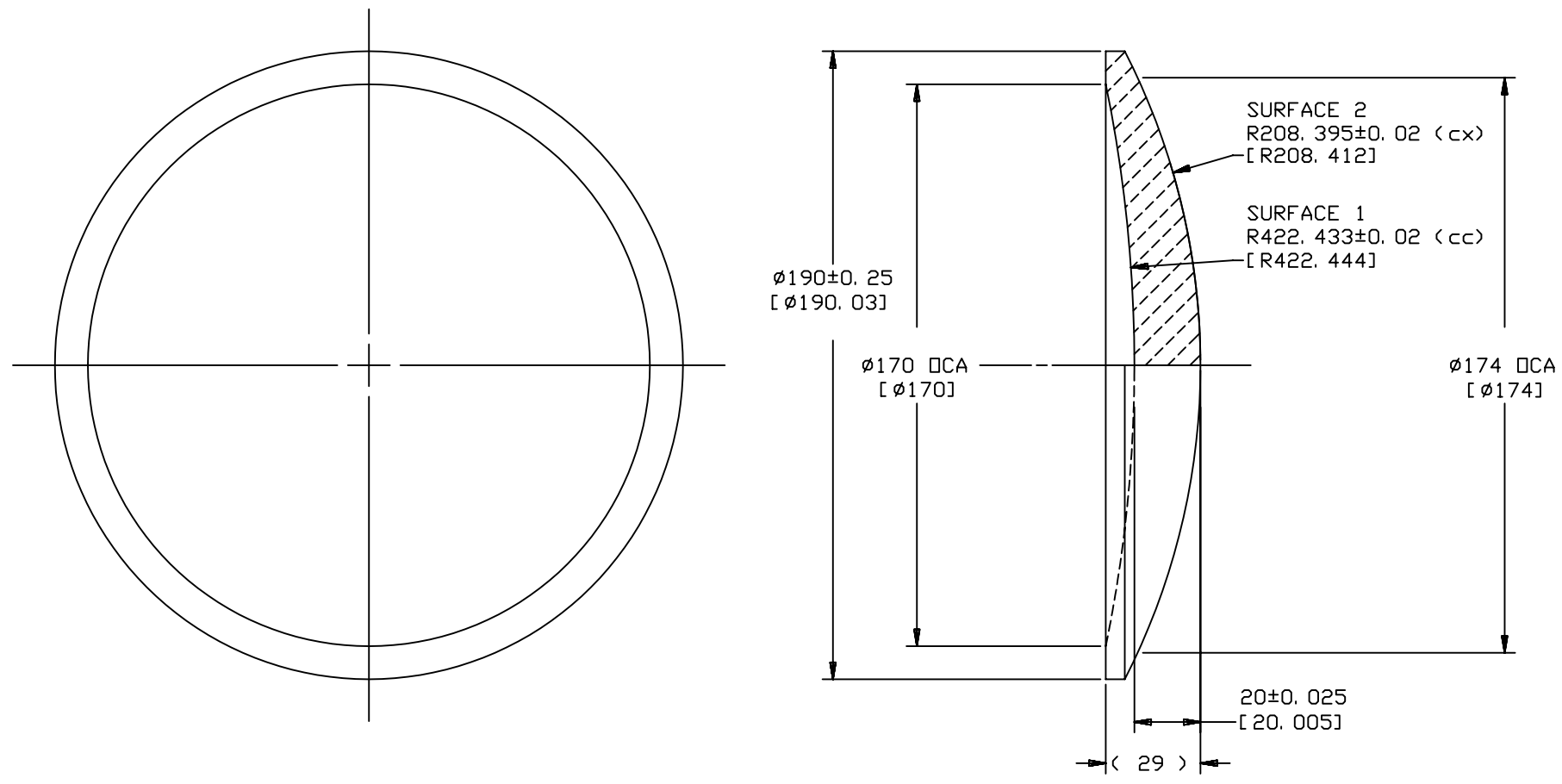


REVISIONS				
LTR	DESCRIPTION	DATE	REVISED BY	APPROVED
A	INITIAL RELEASE	4/16/03	R. NAGY	M. REED



- NOTES:
- ALL DIMENSIONS ARE IN MILLIMETERS AND FRINGES AT HE NE WAVELENGTH UNLESS OTHERWISE NOTED.
  - DIMENSIONS & OTHER INFORMATION NOT IN BRACKETS [ ] ARE SPECIFICATIONS; THOSE IN BRACKETS [ ] ARE AS-BUILT MEASUREMENTS BY OPTICAL SOLUTIONS INC. DATED 11/27/02.
  - COMBINED AXIAL RUN OUT FROM SURFACES 1 & 2 (WEDGE) TO BE 0.025 [0.018]mm.
  - SURFACE SPECIFICATIONS:

SURFACES 1 & 2:

POWER (wv) . . . . . 2.000 [-]

SURFACE QUALITY/SD . . . . 40/20 [<40/20]

SURFACE 1:

SAG . . . . . 8.640 [8.661]

IRREGULARITY (wv) . . . . 0.250 [.099 CENTER/, 126 EDGE]

SURFACE 2:

SAG . . . . . 22.913 [22.919]

IRREGULARITY (wv) . . . . 0.250 [.089 CENTER/, 073 EDGE]

DO NOT SCALE DRAWING		THIS DRAWING CREATED IN:		Steward Observatory, University of Arizona 933 N. Cherry Avenue, Tucson, AZ 85721 (520)621-7659			
INTERPRET DIMENSIONS AND TOLERANCES IN ACCORDANCE WITH ASME Y14.5M-94		ACAD	MECH	IDEAS	DESIGNED BY:	DATE:	CATEGORY:
TOLERANCES UNLESS OTHERWISE SPECIFIED		<input type="checkbox"/>	<input type="checkbox"/>	<input checked="" type="checkbox"/>	M. REED/D. DEAN	3/13/03	MMT
LINEAR					DRAWN BY:	4/3/03	PROJECT:
ANGULAR					R. NAGY		MAESTRO
.X = NA					CHECKED BY:	4/16/03	TITLE:
.XX = NA					M. REED		LENS-FOCUSING-ELEMENT 1
.XXX = NA					APPROVED:	4/16/03	
DIAMETRICAL SEE SPEC S-002					M. REED		
APPROVED:							
DIMENSIONS ARE IN INCHES / DIMENSIONS IN [ ] ARE METRIC							
MATERIAL					APPROVED:		PLOT SIZE
BSM51Y							SCALE:
							DRAWING NUMBER:
							12870
							REVISION:
							A
FINISH					CURRENT TIME/DATE/FILE LOCATION:		
NO COATING					DRAWING ARCHIVE LOCATION: http://dsv1nc1.as.arizona.edu/acad/default.html		SHEET 1 OF 1
					ASSEMBLY APPLICATION		