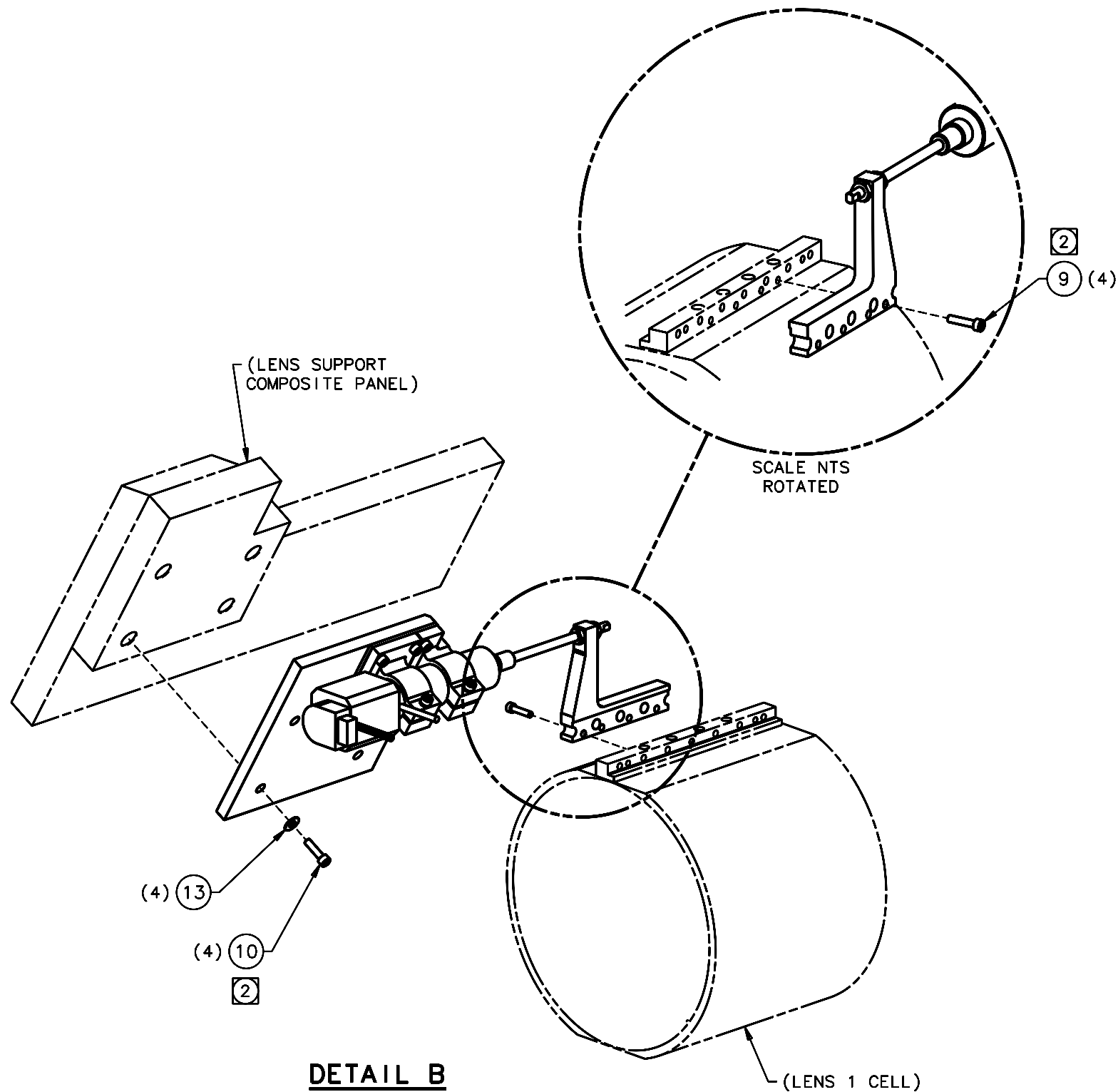
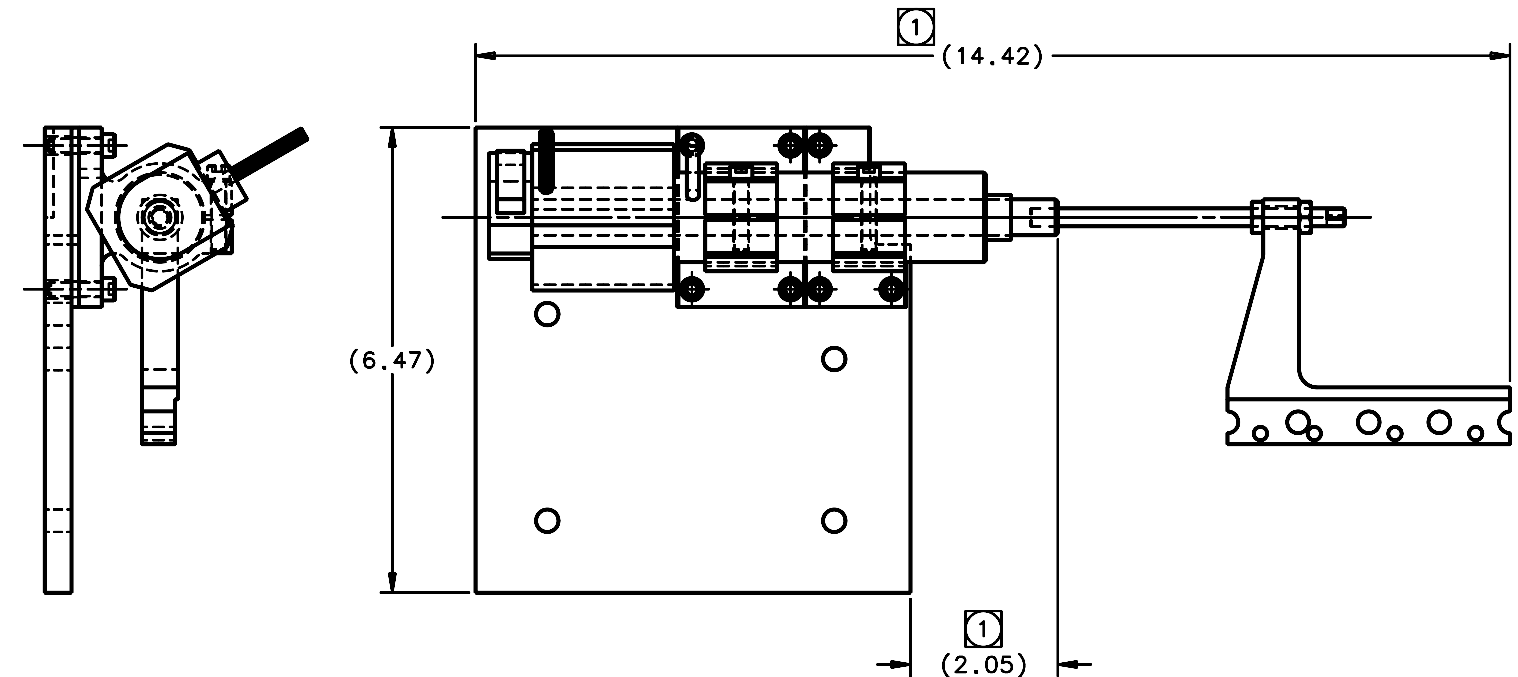


REVISIONS				
LTR	DESCRIPTION	DATE	REVISED BY	APPROVED
A	INITIAL RELEASE	6/13/05	R. NAGY	W. DAVISON



DETAIL B

(SHT 1)
SCALE NTS
ATTACHMENT AT NEXT ASSEMBLIES
TO LENS SUPPORT & LENS 1 CELL (VARIOUS PARTS OMITTED)



DETAIL A

(SHT 1)
SCALE 3:4

DO NOT SCALE DRAWING INTERPRET DIMENSIONS AND TOLERANCES IN ACCORDANCE WITH ASME Y14.5M-94		THIS DRAWING CREATED IN: ACAD <input type="checkbox"/> MECH <input type="checkbox"/> IDEAS <input checked="" type="checkbox"/>		Steward Observatory, University of Arizona 933 N. Cherry Avenue, Tucson, AZ 85721 (520)621-7659	
TOLERANCES UNLESS OTHERWISE SPECIFIED LINEAR .1 - NA .05 - NA .02 - NA ANGULAR NA DIAMETRICAL SEE SPEC S-002 DIMENSIONS ARE IN INCHES / DIMENSIONS IN 1.1 ARE METRIC		DESIGNED BY: D. DEAN	DATE: 1/27/05	CATEGORY: MMT	
MATERIAL -		DRAWN BY: R. NAGY	DATE: 5/20/05	PROJECT: MAESTRO	
FINISH -		CHECKED BY: J. BRENNAN	DATE: 6/8/05	TITLE: LENS CAN SUPPORT-LENS 1 STAGE FOCUS ASSEMBLY	
ASSEMBLY APPLICATION		APPROVED: J. BECHTOLD	DATE: 6/13/05	PLOT SIZE SCALE: D -	
CURRENT TIME/DATE/FILE LOCATION:		APPROVED: R. WARNER	DATE: 6/13/05	DRAWING NUMBER: 13432	REVISION: A
DRAWING ARCHIVE LOCATION: http://davinci.as.arizona.edu/ccad/default.html		ASSEMBLY APPLICATION		SHEET 2 OF 2	