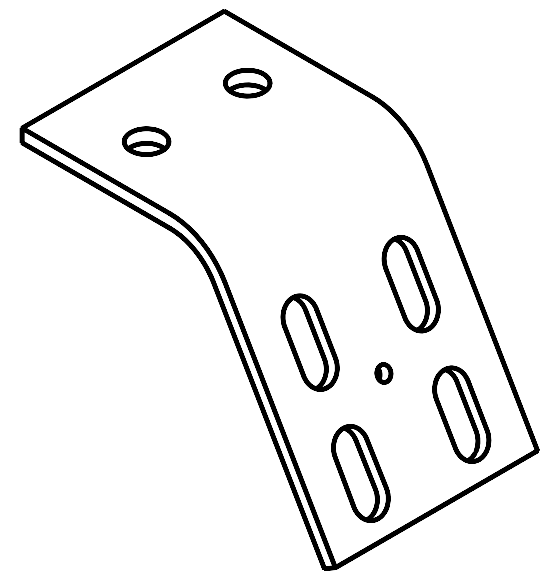
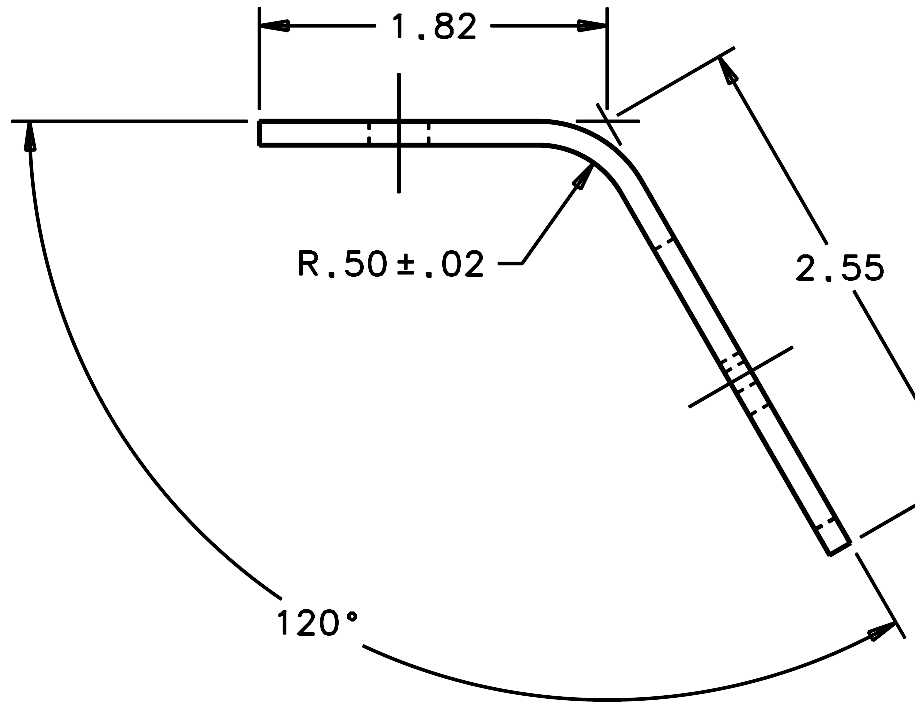
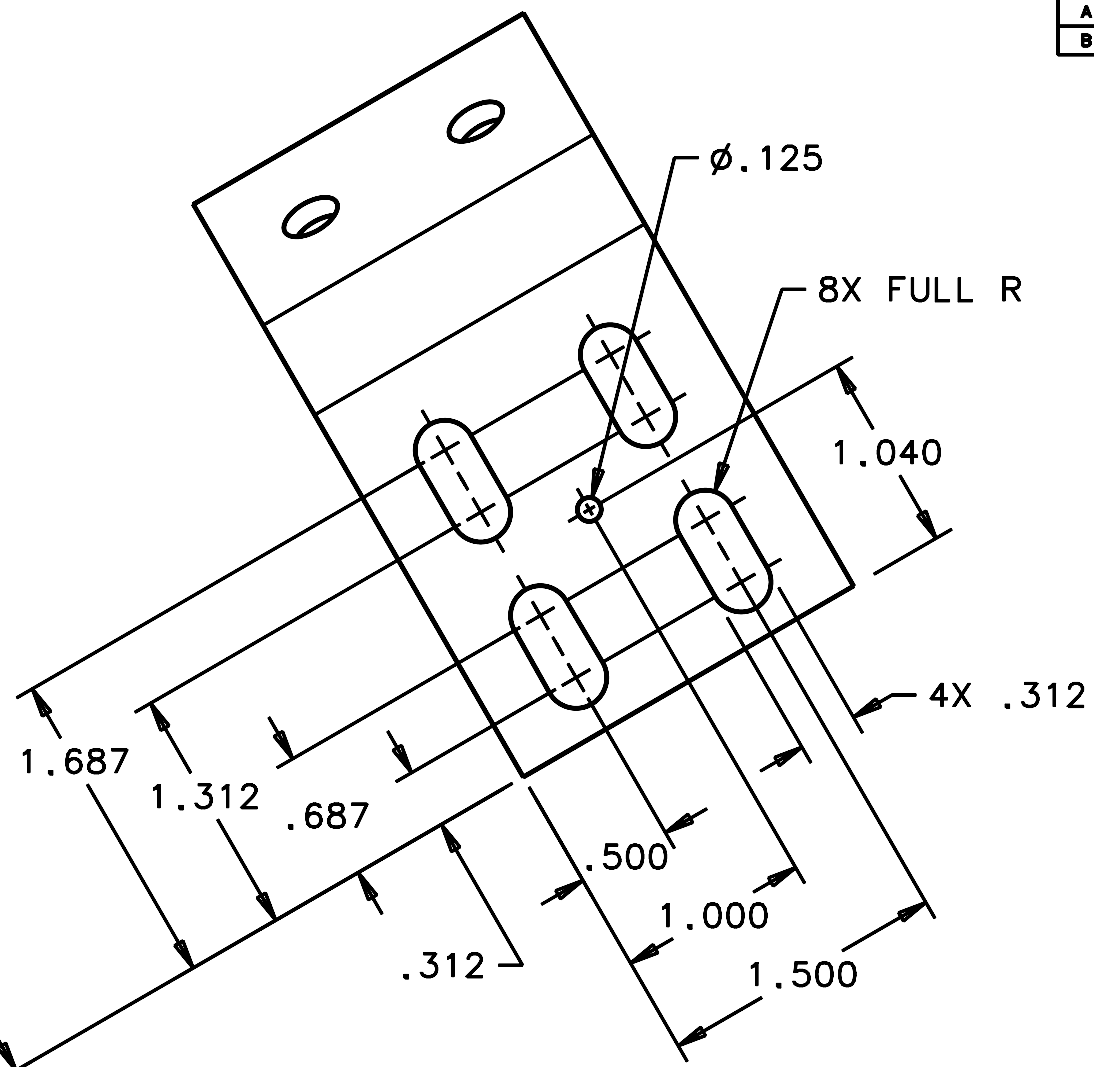
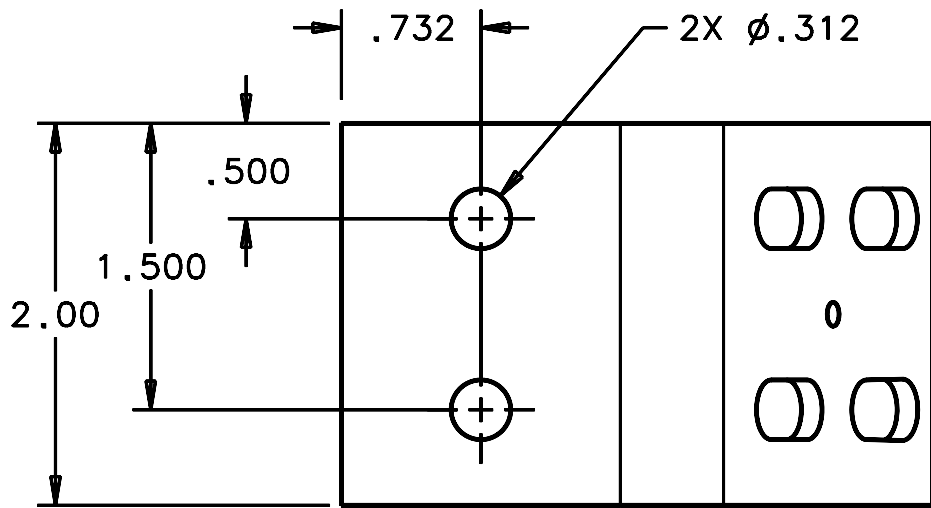


| REVISIONS | | | |
|-----------|---|---------|----------|
| LTR | DESCRIPTION | DATE | APPROVED |
| A | INITIAL RELEASE | 3/7/06 | R. NAGY |
| B | DRAWING LOG BOOK NUMBERING ERROR; WAS 16164 | 5/16/06 | R. NAGY |



SCALE NTS

SCALE 1:1

- NOTES:
- BREAK SHARP EDGES & DEBURR.
 - MACHINED SURFACE FINISH TO BE 125 RMS OR BETTER.
 - ZINC CHROMATE PER ASTM-B-633-98, TYPE II, GOLD.
 - DIMENSIONS ARE PRIOR TO ZINC CHROMATE.
 - QTY REQD: 24.

| | | | | | | | |
|---|--|---|-------------|---|------------------|---|----------------|
| DO NOT SCALE DRAWING INTERPRET DIMENSIONS AND TOLERANCES IN ACCORDANCE WITH ASME Y14.5M-94 | | THIS DRAWING CREATED IN: ACAD <input type="checkbox"/> MECH <input type="checkbox"/> IDEAS <input checked="" type="checkbox"/> | | Steward Observatory, University of Arizona 933 N. Cherry Avenue, Tucson, AZ 85721 (520)621-7659 | | | |
| TOLERANCES UNLESS OTHERWISE SPECIFIED LINEAR ANGULAR .X - NA .XX - .03 .XXX - .010 DIAMETRICAL SEE SPEC S-002 | | | | DESIGNED BY: D. DEAN | DATE: 1/20/06 | CATEGORY: MMT | |
| | | | | DRAWN BY: R. NAGY | 1/21/06 | PROJECT: MAESTRO | |
| | | | | CHECKED BY: W. DAVISON | 2/28/06 | TITLE: LENS CAN SUPPORT LENS CAN MOUNT SIDE STRINGER | |
| | | | | APPROVED: J. BECHTOLD | 3/7/06 | | |
| MATERIAL 1006/1018 STL, 11 GA (.1196) | | 13424 | MMT-MAESTRO | APPROVED: | | PLOT SIZE B | SCALE: - |
| FINISH 3 | | NEXT ASSY | USED ON | APPROVED: | | DRAWING NUMBER: 17086 | REVISION: B |
| ASSEMBLY APPLICATION | | | | CURRENT TIME/DATE/FILE LOCATION: DRAWING ARCHIVE LOCATION: http://devinci.es.arizona.edu/ocod/default.html | | | |