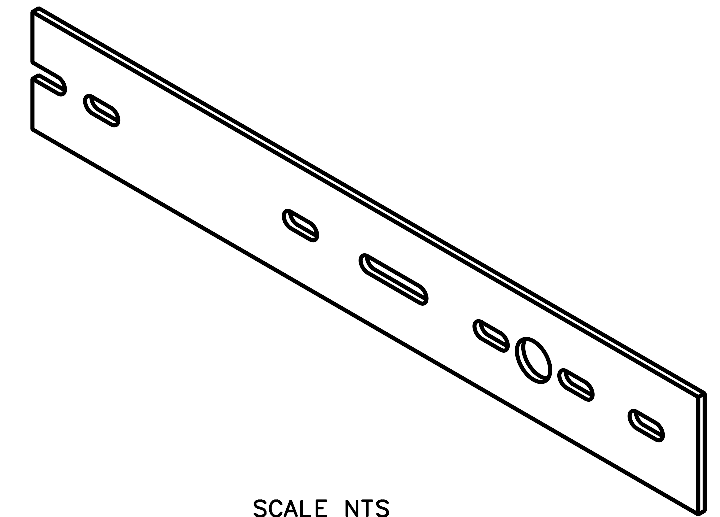
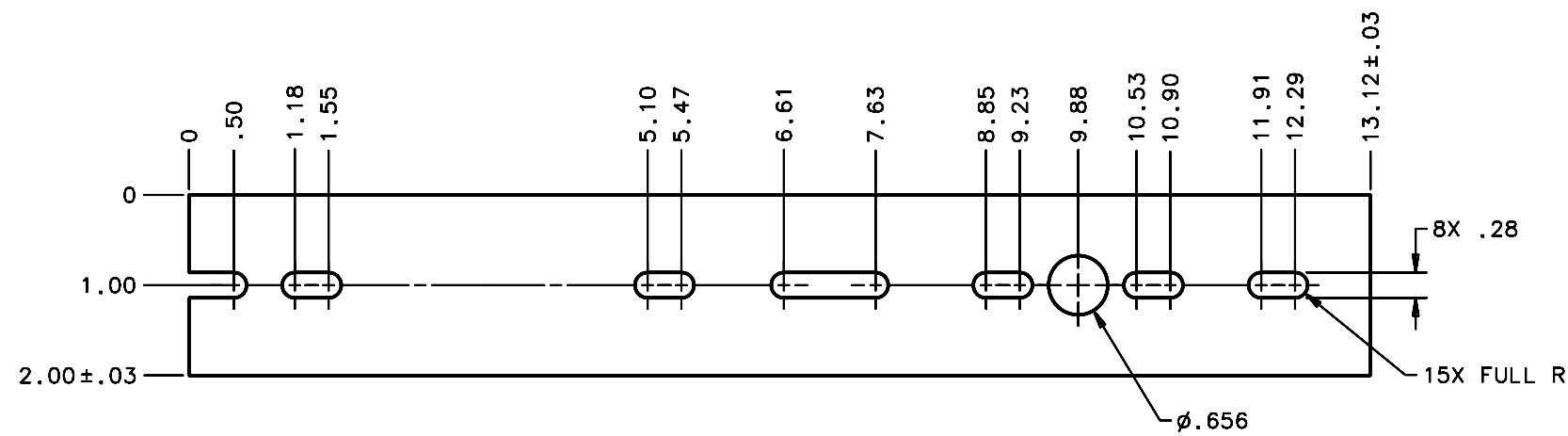


REVISIONS				
LTR	DESCRIPTION	DATE	REVISED BY	APPROVED
A	INITIAL RELEASE	3/7/06	R. NAGY	J. BECHTOLD
B	DRAWING LOG BOOK NUMBERING ERROR; WAS 16157	4/15/06	R. NAGY	R. WARNER



SCALE 1:1

SCALE NTS

NOTES:

- BREAK SHARP EDGES & DEBURR.
- MACHINED SURFACE FINISH TO BE 125 RMS OR BETTER.
- ZINC CHROMATE PER ASTM-B-633-98, TYPE II, GOLD.
- DIMENSIONS ARE PRIOR TO ZINC CHROMATE.
- QTY REQD: 3.

DO NOT SCALE DRAWING		THIS DRAWING CREATED IN:		Steward Observatory, University of Arizona	
INTERPRET DIMENSIONS AND TOLERANCES IN ACCORDANCE WITH ASME Y14.5M-94		ACAD <input type="checkbox"/>	MECH <input type="checkbox"/>	IDEAS <input checked="" type="checkbox"/>	933 N. Cherry Avenue, Tucson, AZ 85721 (520)621-7659
TOLERANCES UNLESS OTHERWISE SPECIFIED		DESIGNED BY: D. DEAN		DATE: 11/3/05	CATEGORY: MMT
LINEAR		DRAWN BY: R. NAGY		1/17/06	PROJECT: MAESTRO
ANGULAR		CHECKED BY: W. DAVISON		2/28/06	TITLE: LENS CAN SUPPORT
.I = NA		APPROVED: J. BECHTOLD		3/7/06	LENS 1 SIDE
.XX = ±.01		APPROVED:			LENS CAN SUPPORT SHIM
.XXX = NA		APPROVED:			
DIAMETRICAL SEE SPEC S-002		APPROVED:			
MATERIAL		13424	MMT-MAESTRO	APPROVED:	
1006/1018 STL, 11 GA (.1196)		NEXT ASSY	USED ON	APPROVED:	
FINISH 3		ASSEMBLY APPLICATION		CURRENT TIME/DATE/FILE LOCATION:	
				DRAWING ARCHIVE LOCATION: http://davincl.as.arizona.edu/ccad/default.html	
				PLOT SIZE SCALE: D -	DRAWING NUMBER: 17080
					REVISION: B
					SHEET 1 OF 1