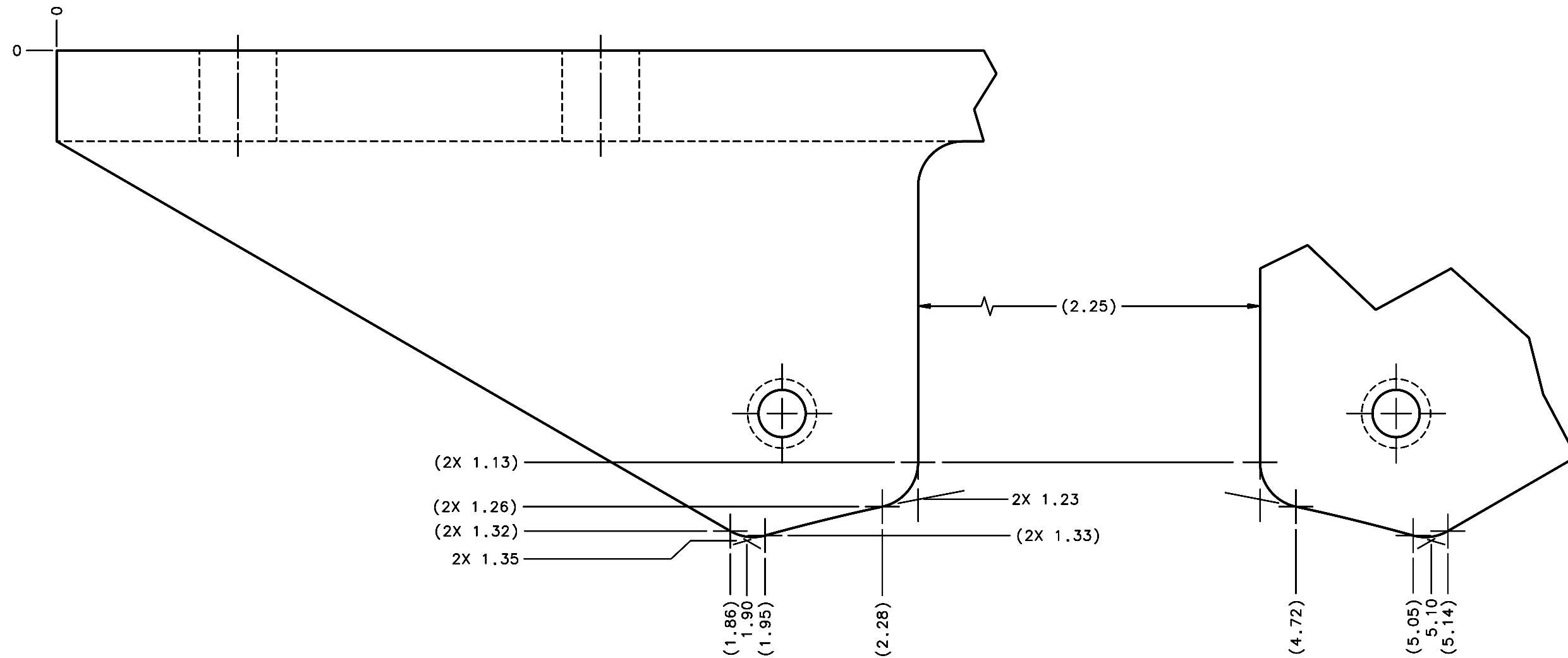


REVISIONS				
LTR	DESCRIPTION	DATE	REVISED BY	APPROVED
A	INITIAL RELEASE	3/10/06	R. NAGY	J. BECHTOLD
B	DRAWING LOG BOOK NUMBERING SEQUENCE ERROR; WAS 16155	4/15/06	R. NAGY	R. WARNER



DETAIL A
(SHT 1)
SCALE 6:1

DO NOT SCALE DRAWING INTERPRET DIMENSIONS AND TOLERANCES IN ACCORDANCE WITH ASME Y14.5M-94	THIS DRAWING CREATED IN:			Steward Observatory, University of Arizona 933 N. Cherry Avenue, Tucson, AZ 85721 (520)621-7659			
	ACAD <input type="checkbox"/>	MECH <input type="checkbox"/>	IDEAS <input checked="" type="checkbox"/>	DESIGNED BY: D. DEAN	DATE: 11/3/05	CATEGORY: MMT	
TOLERANCES UNLESS OTHERWISE SPECIFIED LINEAR ANGLAR .X = .02 .1" = .010 DIAMETRICAL SEE SPEC S-002				DRAWN BY: R. NAGY	1/13/06	PROJECT: MAESTRO	
				CHECKED BY: W. DAVISON	3/10/06	TITLE: LENS CAN SUPPORT LENS CAN 6 SIDE ADJUSTMENT BRACKET	
MATERIAL 1006/1018 STL ①				APPROVED: J. BECHTOLD	3/10/06	PLOT SIZE SCALE: D -	
				APPROVED:		DRAWING NUMBER: 17078	REVISION: B
FINISH ⑤	ASSEMBLY APPLICATION			CURRENT TIME/DATE/FILE LOCATION: DRAWING ARCHIVE LOCATION: http://davincl.as.arizona.edu/ccad/default.html			