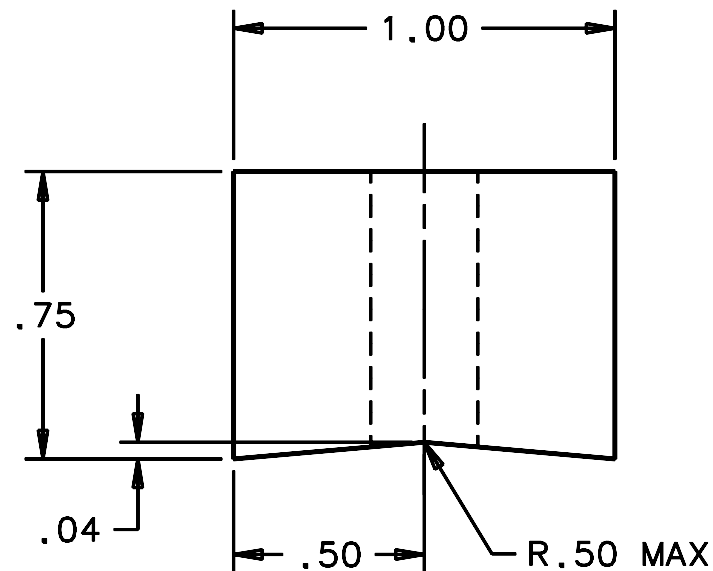
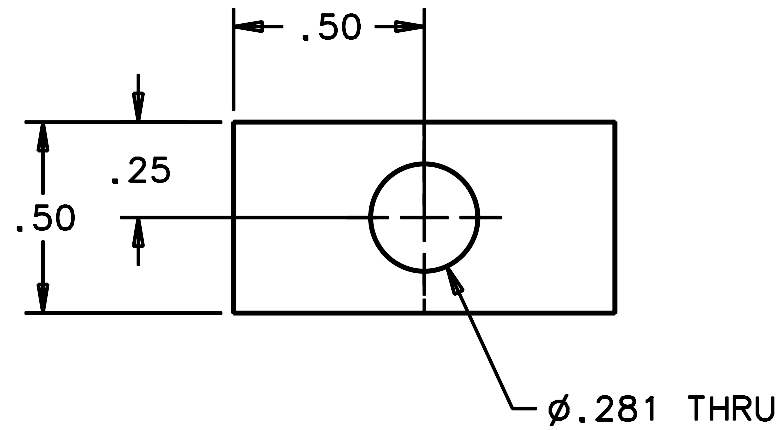
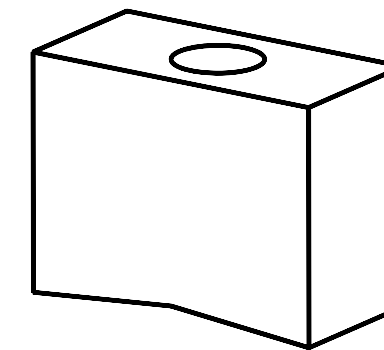


REVISIONS				
LTR	DESCRIPTION	DATE	REVISED BY	APPROVED
A	INITIAL RELEASE	3/10/06	R. NAGY	J. BECHTOLD



SCALE 2:1



SCALE NTS

NOTES:

1. BREAK SHARP EDGES & DEBURR.
2. MACHINED SURFACE FINISH TO BE 125 RMS OR BETTER.
3. ANODIZE PER MIL-A-8625, TYPE II, CLASS 2, BLACK.
4. DIMENSIONS ARE PRIOR TO ANODIZING.
5. QTY REQD: 3.

DO NOT SCALE DRAWING INTERPRET DIMENSIONS AND TOLERANCES IN ACCORDANCE WITH ASME Y14.5M-94		THIS DRAWING CREATED IN: ACAD <input type="checkbox"/> MECH <input type="checkbox"/> IDEAS <input checked="" type="checkbox"/>			Steward Observatory, University of Arizona 933 N. Cherry Avenue, Tucson, AZ 85721 (520)621-7659			
TOLERANCES UNLESS OTHERWISE SPECIFIED LINEAR .X - .XX - .XXX - NA ANGULAR ±1° DIAMETRICAL SEE SPEC S-002		DESIGNED BY: D. DEAN		DATE: 2/21/06		CATEGORY: MMT		
		DRAWN BY: R. NAGY		DATE: 3/2/06		PROJECT: MAESTRO		
		CHECKED BY: W. DAVISON		DATE: 3/10/06		TITLE: LENS CAN SUPPORT LENS CAN 6 SUPPORT BLOCK		
		APPROVED: J. BECHTOLD		DATE: 3/10/06				
MATERIAL 6061-T6 A1		13424		MMT-MAESTRO		APPROVED:		
FINISH 3		NEXT ASSY		USED ON		APPROVED:		
		ASSEMBLY APPLICATION		CURRENT TIME/DATE/FILE LOCATION:		DRAWING NUMBER: 16176		
				DRAWING ARCHIVE LOCATION: http://devinci1.cs.arizona.edu/ocod/default.html		REVISION: A		