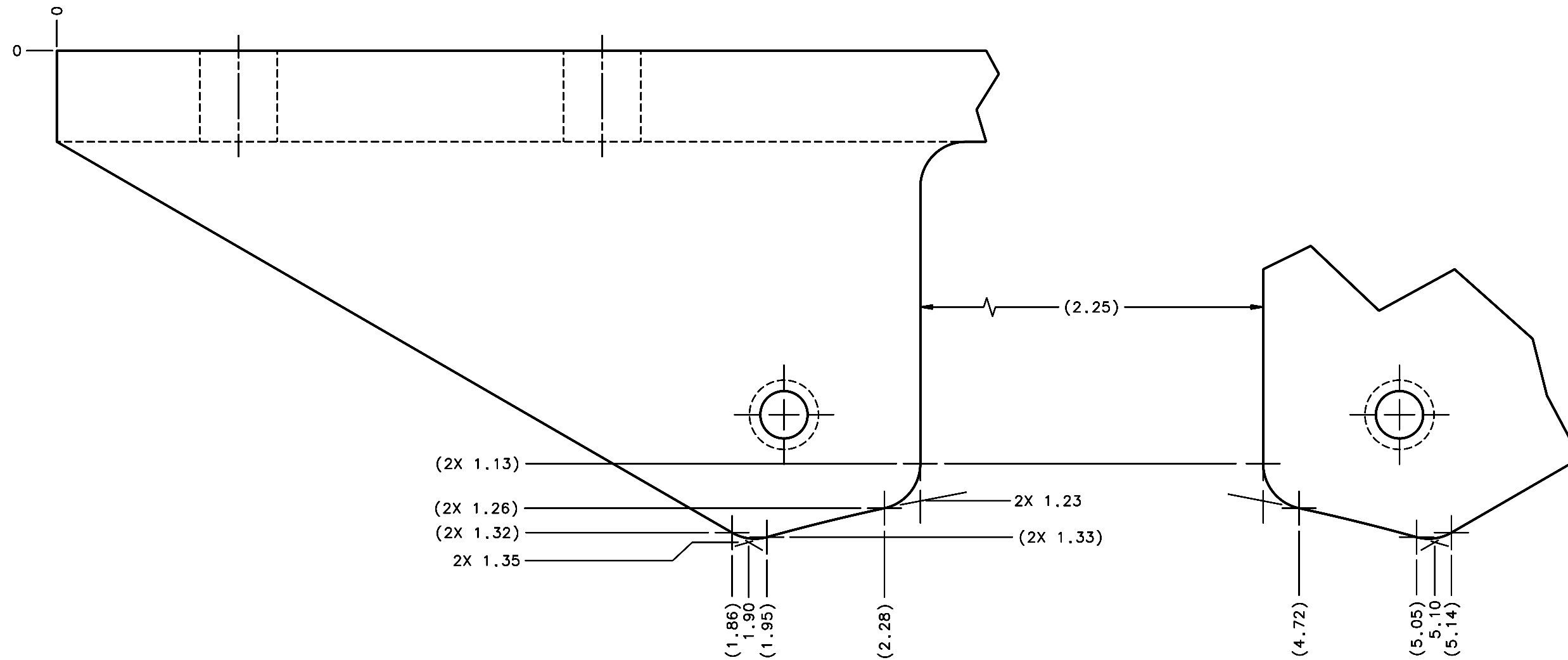


REVISIONS				
LTR	DESCRIPTION	DATE	REVISED BY	APPROVED
A	INITIAL RELEASE	3/10/06	R. NAGY	J. BECHTOLD



**DETAIL A**  
(SHT 1)  
SCALE 6:1

DO NOT SCALE DRAWING INTERPRET DIMENSIONS AND TOLERANCES IN ACCORDANCE WITH ASME Y14.5M-94	THIS DRAWING CREATED IN:			Steward Observatory, University of Arizona 933 N. Cherry Avenue, Tucson, AZ 85721 (520)621-7659				
	ACAD <input type="checkbox"/>	MECH <input type="checkbox"/>	IDEAS <input checked="" type="checkbox"/>	DESIGNED BY: D. DEAN	DATE: 11/3/05	CATEGORY: MMT		
TOLERANCES UNLESS OTHERWISE SPECIFIED LINEAR ANGULAR .X = .005 .XX = .002 .XXX = .010 DIAMETRICAL SEE SPEC S-002				DRAWN BY: R. NAGY	1/13/06	PROJECT: MAESTRO		
				CHECKED BY: W. DAVISON	3/10/06	TITLE: LENS CAN SUPPORT LENS CAN 6 SIDE ADJUSTMENT BRACKET		
MATERIAL 1006/1018 STL ①	13424	MMT-MAESTRO		APPROVED: J. BECHTOLD	3/10/06	PLOT SIZE SCALE: D -		
	NEXT ASSY	USED ON		APPROVED:		DRAWING NUMBER: 16155	REVISION: A	
FINISH ⑤	ASSEMBLY APPLICATION		CURRENT TIME/DATE/FILE LOCATION:				DRAWING ARCHIVE LOCATION: <a href="http://davinci.as.arizona.edu/ccad/default.html">http://davinci.as.arizona.edu/ccad/default.html</a>	