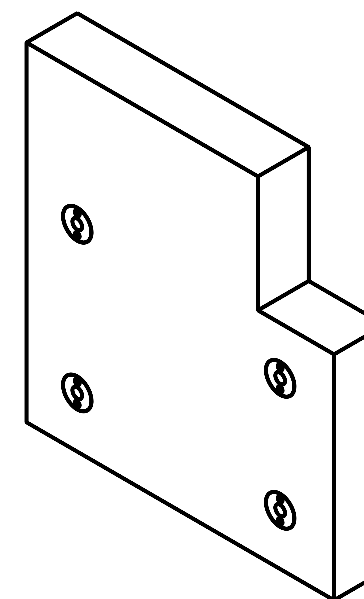
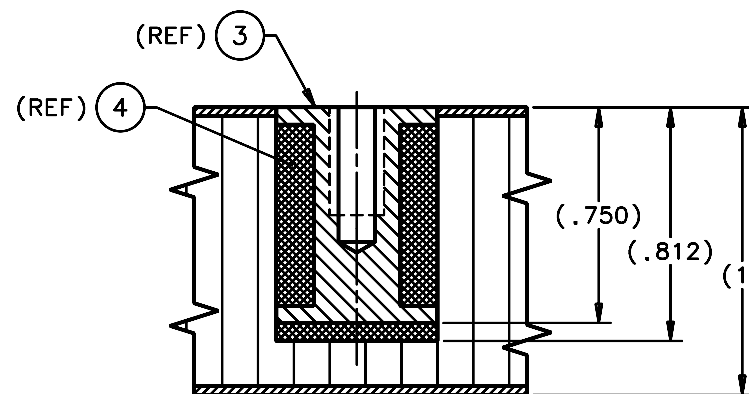
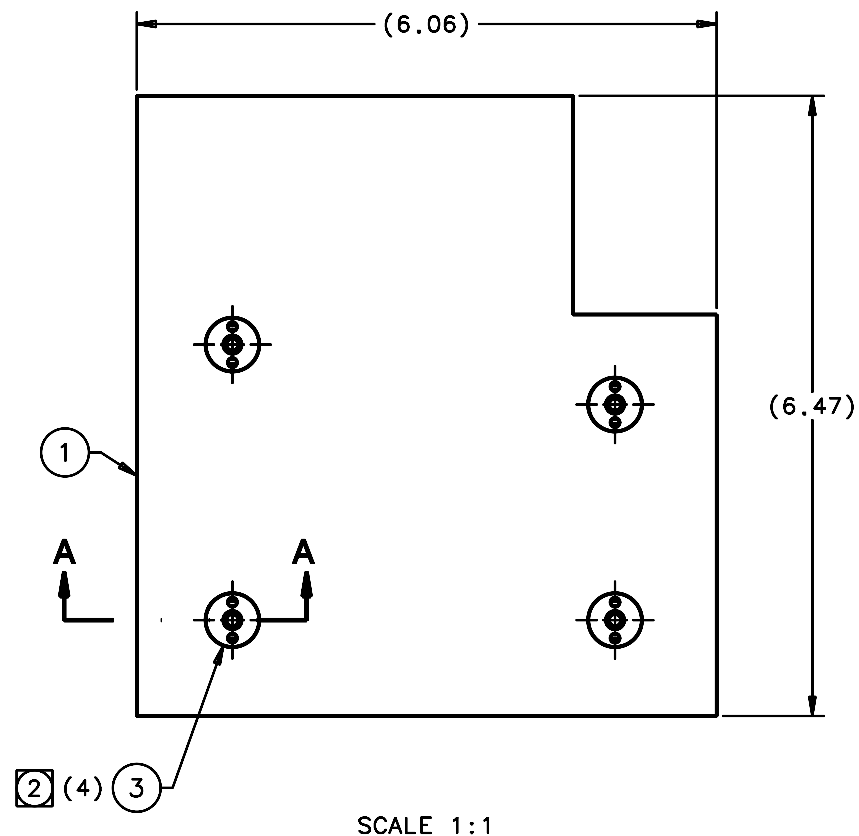


REVISIONS				
LTR	DESCRIPTION	DATE	REVISED BY	APPROVED
A	INITIAL RELEASE	3/7/06	R. NAGY	J. BECHTOLD
B	DRAWING LOG BOOK NUMBERING ERROR; ITEM 1 WAS 16166	5/16/06	R. NAGY	R. WARNER



NOTES:

- 1 REQUIRED DOCUMENTS:
A. SP14038 INSERT SPECIFICATION/INSTALLATION FOR MAESTRO COMPOSITE PANEL.
- 2 POT INSERTS IN PLACE USING ITEM 4 ADHESIVE.
- 3 INSERTS INCLUDE AN ADHESIVE-BACKED NAS1837 INSTALLATION TAB.
4. QTY REQD: 1.

QTY PER ASSY	-3	-2	-1	PART NUMBER	PART DESCRIPTION	MANUFACTURER or MAT'L SPEC	ITEM NO.
				AR 8280	INDUSTRO-WELD [2-PART COLD WELD COMPOUND (STEEL/EPOXY RESIN)]	J-B WELD CO.	4
				4 NAS1832-3N6	INSERT, MOLDED IN, BLIND THD, NON-LOCK, .190-32 x .750 LG, STL, CAD PLT	OR EQUIVALENT	3
				1 17087	FOCUS MOTOR MOUNT PANEL		1

3

DO NOT SCALE DRAWING		THIS DRAWING CREATED IN:		Steward Observatory, University of Arizona			
INTERPRET DIMENSIONS AND TOLERANCES IN ACCORDANCE WITH ASME Y14.5M-94		ACAD	MECH	IDEAS	933 N. Cherry Avenue, Tucson, AZ 85721 (520)621-7659		
TOLERANCES UNLESS OTHERWISE SPECIFIED		<input type="checkbox"/>	<input type="checkbox"/>	<input checked="" type="checkbox"/>	DESIGNED BY:	DATE:	CATEGORY:
LINEAR					D. DEAN/R. NAGY	1/23/06	MMT
ANGULAR					DRAWN BY:	1/23/06	PROJECT:
.1 - NA					R. NAGY		MAESTRO
.2 - NA					CHECKED BY:	2/28/06	TITLE:
.3 - NA					W. DAVISON		LENS CAN SUPPORT
.4 - NA					APPROVED:	3/7/06	LENS 1 SIDE
.5 - NA					J. BECHTOLD		FOCUS MOTOR MOUNT (W/INSERTS)
DIAMETRICAL SEE SPEC S-002					APPROVED:		
MATERIAL		14858	MMT-MAESTRO		APPROVED:		PLOT SIZE SCALE:
-		NEXT ASSY	USED ON		APPROVED:		D -
FINISH		ASSEMBLY APPLICATION		CURRENT TIME/DATE/FILE LOCATION:		DRAWING NUMBER:	REVISION:
-						14866	B
				DRAWING ARCHIVE LOCATION: http://davinci.as.arizona.edu/ccad/default.html		SHEET 1 OF 1	