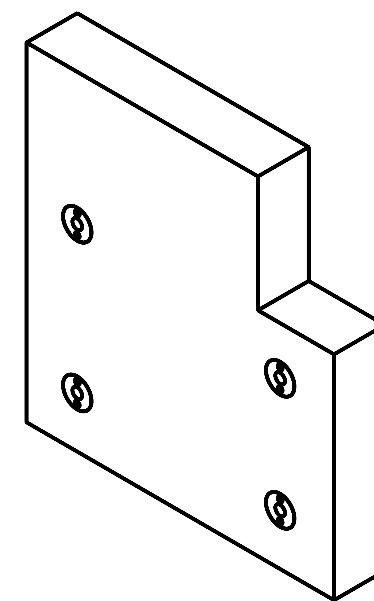
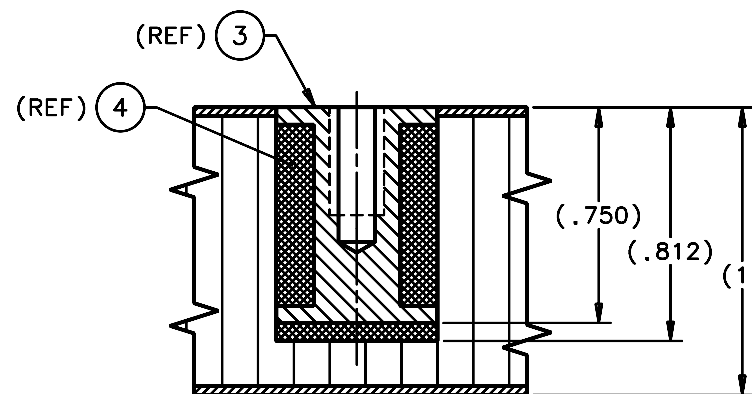
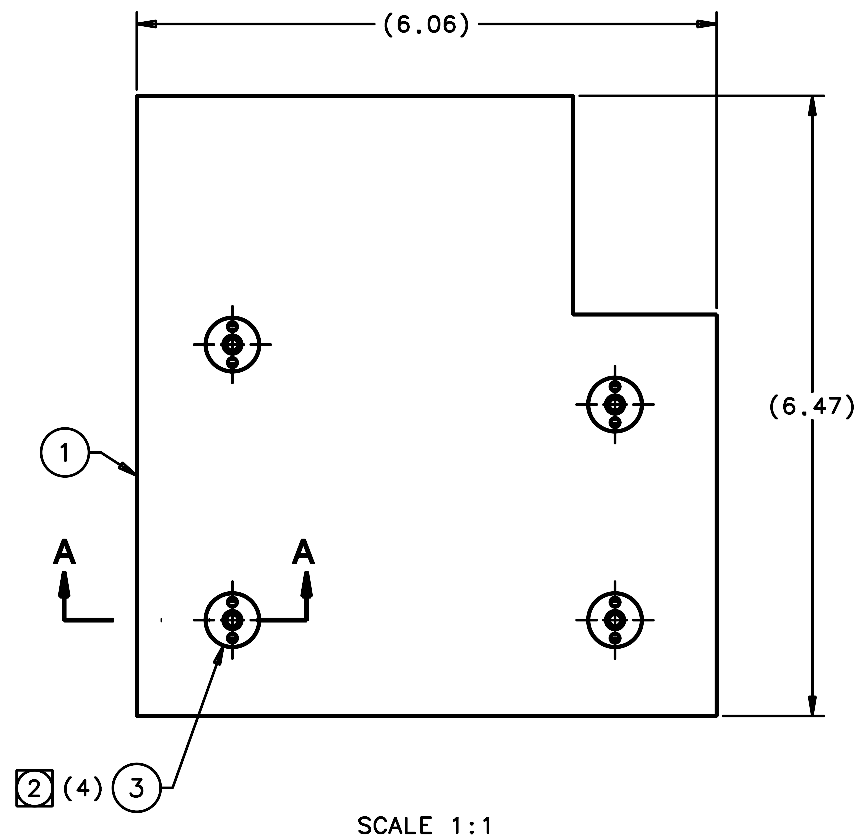


REVISIONS				
LTR	DESCRIPTION	DATE	REVISED BY	APPROVED
A	INITIAL RELEASE	3/7/06	R. NAGY	J. BECHTOLD



NOTES:

- ① REQUIRED DOCUMENTS:
A. SP14038 INSERT SPECIFICATION/INSTALLATION FOR MAESTRO COMPOSITE PANEL.
- ② POT INSERTS IN PLACE USING ITEM 4 ADHESIVE.
- ③ INSERTS INCLUDE AN ADHESIVE-BACKED NAS1837 INSTALLATION TAB.
- ④ QTY REQD: 1.

QTY PER ASSY	QTY PER ASSY	PART NUMBER	PART DESCRIPTION	MANUFACTURER or MAT'L SPEC	ITEM NO.
-3	-2	-1			
4		NAS1832-3N6	INSERT, MOLDED IN, BLIND THD, NON-LOCK, .190-32 x .750 LG, STL, CAD PLT	OR EQUIVALENT	3
1		16166	FOCUS MOTOR MOUNT PANEL		1

③

DO NOT SCALE DRAWING		THIS DRAWING CREATED IN:		Steward Observatory, University of Arizona 933 N. Cherry Avenue, Tucson, AZ 85721 (520)621-7659	
INTERPRET DIMENSIONS AND TOLERANCES IN ACCORDANCE WITH ASME Y14.5M-94		ACAD <input type="checkbox"/>	MECH <input type="checkbox"/>	IDEAS <input checked="" type="checkbox"/>	DESIGNED BY: D. DEAN/R. NAGY
TOLERANCES UNLESS OTHERWISE SPECIFIED				DATE: 1/23/06	CATEGORY: MMT
LINEAR .XX - NA .XXX - NA				DRAWN BY: R. NAGY	PROJECT: MAESTRO
ANGULAR .XX - NA .XXX - NA				CHECKED BY: W. DAVISON	TITLE: LENS CAN SUPPORT LENS 1 SIDE FOCUS MOTOR MOUNT (W/INSERTS)
DIAMETRICAL SEE SPEC S-002				APPROVED: J. BECHTOLD	DATE: 3/7/06
MATERIAL		14858	MMT-MAESTRO	APPROVED:	PLOT SIZE SCALE: D -
FINISH		NEXT ASSY	USED ON	APPROVED:	DRAWING NUMBER: 14866
		ASSEMBLY APPLICATION		CURRENT TIME/DATE/FILE LOCATION:	REVISION: A
				DRAWING ARCHIVE LOCATION: http://davinci.as.arizona.edu/ccad/default.html	SHEET 1 OF 1