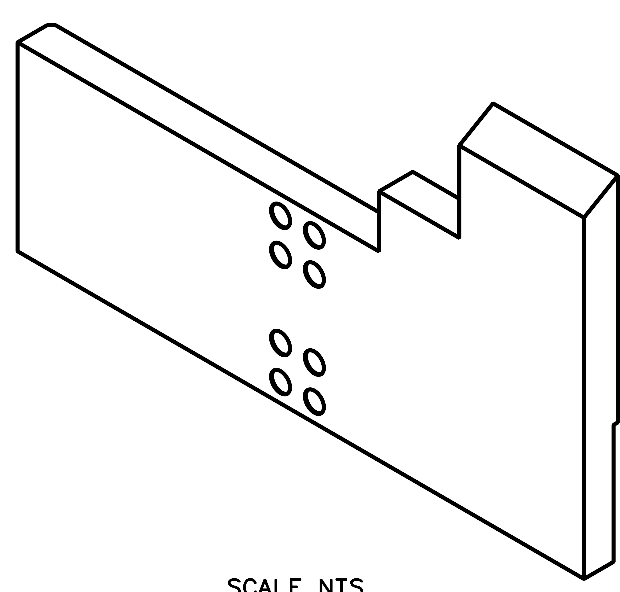
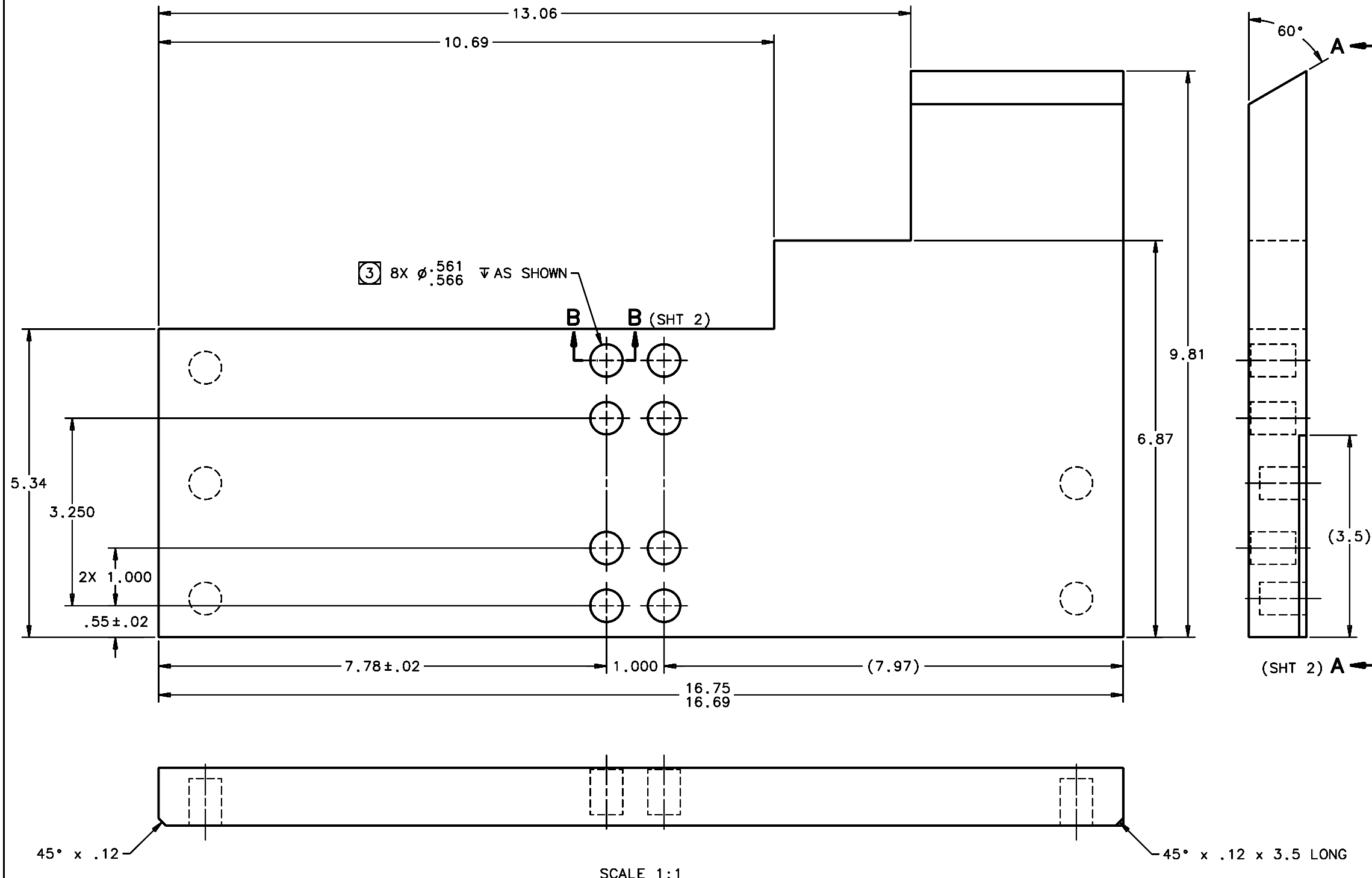


REVISIONS				
LTR	DESCRIPTION	DATE	REVISED BY	APPROVED
A	INITIAL RELEASE	3/10/06	R. NAGY	J. BECHTOLD



SCALE NTS

SCALE 1:1

- NOTES:
- MATERIAL: MAKE FROM BLANK AS CUT FROM 13594 COMPOSITE PANEL PART LAYOUT.
 - BREAK SHARP EDGES & DEBURR HOLES.
 - NOTED HOLE IS FOR A NAS1832-3N6 MOLDED-IN INSERT AS SPECIFIED PER NEXT ASSEMBLY. ALSO SEE DOCUMENT NO. SP14038 FOR ADDITIONAL HOLE PREPARATION DATA.
 - QTY REQUIRED: 1

DO NOT SCALE DRAWING		THIS DRAWING CREATED IN:		Steward Observatory, University of Arizona	
INTERPRET DIMENSIONS AND TOLERANCES IN ACCORDANCE WITH ASME Y14.5M-94		ACAD	MECH	933 N. Cherry Avenue, Tucson, AZ 85721 (520)621-7659	
TOLERANCES UNLESS OTHERWISE SPECIFIED		<input type="checkbox"/>	<input type="checkbox"/>	DESIGNED BY:	DATE:
LINEAR	ANGULAR	<input type="checkbox"/>	<input checked="" type="checkbox"/>	D. DEAN/R. NAGY	3/17/05
.1	±1°			DRAWN BY:	CATEGORY:
.03				R. NAGY	MMT
.010				CHECKED BY:	PROJECT:
				W. DAVISON	MAESTRO
				APPROVED:	TITLE:
				J. BECHTOLD	LENS CAN SUPPORT-LENS 1 SIDE TEE FOCUS FLANGE PANEL (W/O INSERTS)
				APPROVED:	PLOT SIZE SCALE:
					D -
MATERIAL	14859	MMT-MAESTRO	APPROVED:	DRAWING NUMBER:	REVISION:
①	NEXT ASSY	USED ON	APPROVED:	14865	A
FINISH	ASSEMBLY APPLICATION		CURRENT TIME/DATE/FILE LOCATION:		SHEET 1 OF 2
NONE			DRAWING ARCHIVE LOCATION: http://dovinci.as.arizona.edu/ccad/default.html		