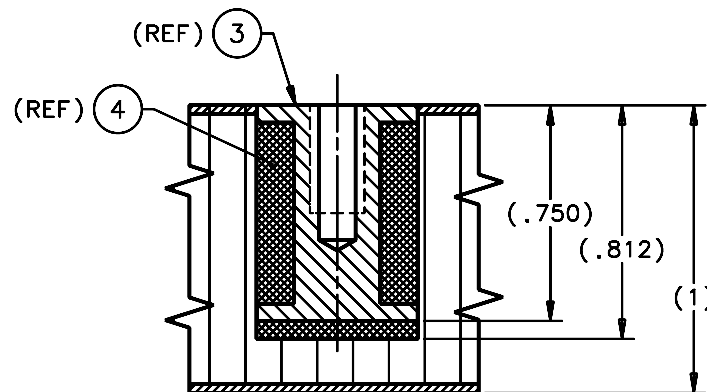
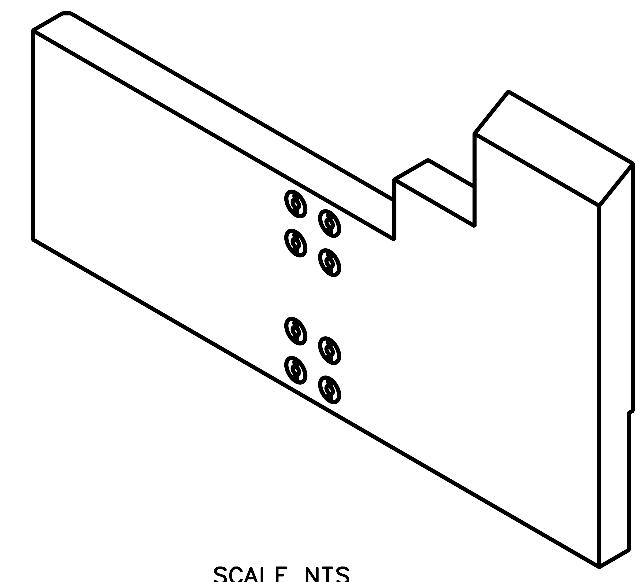
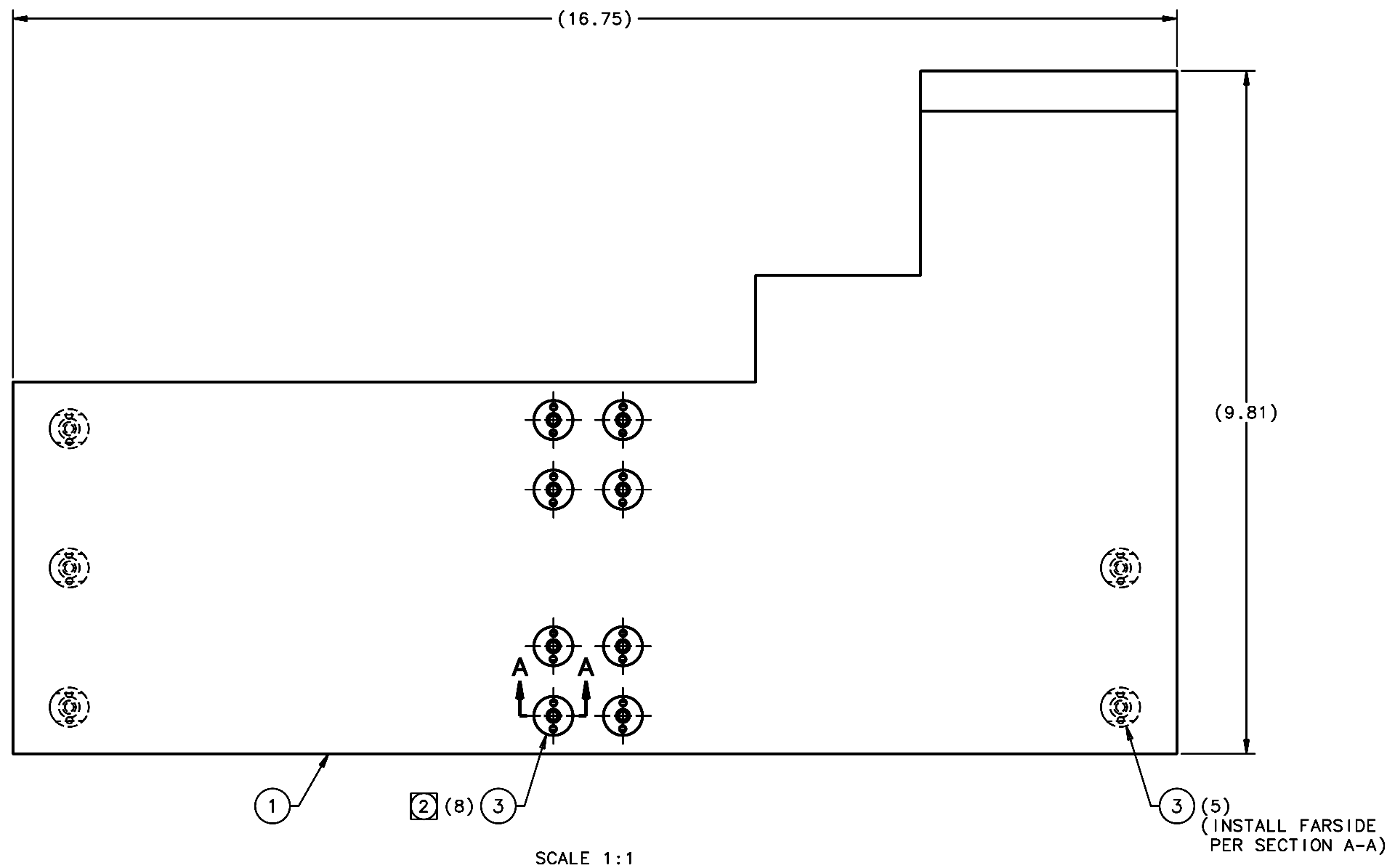


REVISIONS				
LTR	DESCRIPTION	DATE	REVISED BY	APPROVED
A	INITIAL RELEASE	3/10/06	R. NAGY	J. BECHTOLD



QTY PER ASSY	-3	-2	-1	PART NUMBER	PART DESCRIPTION	MANUFACTURER or MAT'L SPEC	ITEM NO.
				AR 8280	INDUSTRO-WELD [2-PART COLD WELD COMPOUND (STEEL/EPOXY RESIN)]	J-B WELD CO.	4
				13 NAS1832-3N6	INSERT, MOLDED IN, BLIND THD, NON-LOCK, .190-32 x .750 LG, STL, CAD PLT	OR EQUIVALENT	3
							2
				1 14865	TEE INNER FLANGE PANEL		1

NOTES:

1. REQUIRED DOCUMENTS:
  - A. SP14038 INSERT SPECIFICATION/INSTALLATION FOR MAESTRO COMPOSITE PANEL.
- 2 POT INSERTS IN PLACE USING ITEM 4 ADHESIVE.
- 3 INSERTS INCLUDE AN ADHESIVE-BACKED NAS1837 INSTALLATION TAB.
4. QTY REQD: 1.

DO NOT SCALE DRAWING		THIS DRAWING CREATED IN:		Steward Observatory, University of Arizona 933 N. Cherry Avenue, Tucson, AZ 85721 (520)621-7659			
INTERPRET DIMENSIONS AND TOLERANCES IN ACCORDANCE WITH ASME Y14.5M-94		ACAD <input type="checkbox"/>	MECH <input type="checkbox"/>	IDEAS <input checked="" type="checkbox"/>	DESIGNED BY: D. DEAN/R. NAGY	DATE: 1/23/06	CATEGORY: MMT
TOLERANCES UNLESS OTHERWISE SPECIFIED		DRAWN BY: R. NAGY		DATE: 1/23/06		PROJECT: MAESTRO	
LINEAR .XX - NA		CHECKED BY: W. DAVISON		DATE: 3/10/06		TITLE: LENS CAN SUPPORT LENS 1 SIDE TEE FOCUS FLANGE (W/INSERTS)	
ANGULAR .XXX - NA		APPROVED: J. BECHTOLD		DATE: 3/10/06		PLOT SIZE SCALE: D -	
DIAMETRICAL SEE SPEC S-002		APPROVED:		DRAWING NUMBER: 14859		REVISION: A	
MATERIAL -		14858	MMT-MAESTRO	APPROVED:		DRAWING NUMBER: 14859	
FINISH -		NEXT ASSY	USED ON	APPROVED:		REVISION: A	
		ASSEMBLY APPLICATION		CURRENT TIME/DATE/FILE LOCATION:		SHEET 1 OF 1	
				DRAWING ARCHIVE LOCATION: <a href="http://davincl.as.arizona.edu/ccad/default.html">http://davincl.as.arizona.edu/ccad/default.html</a>			