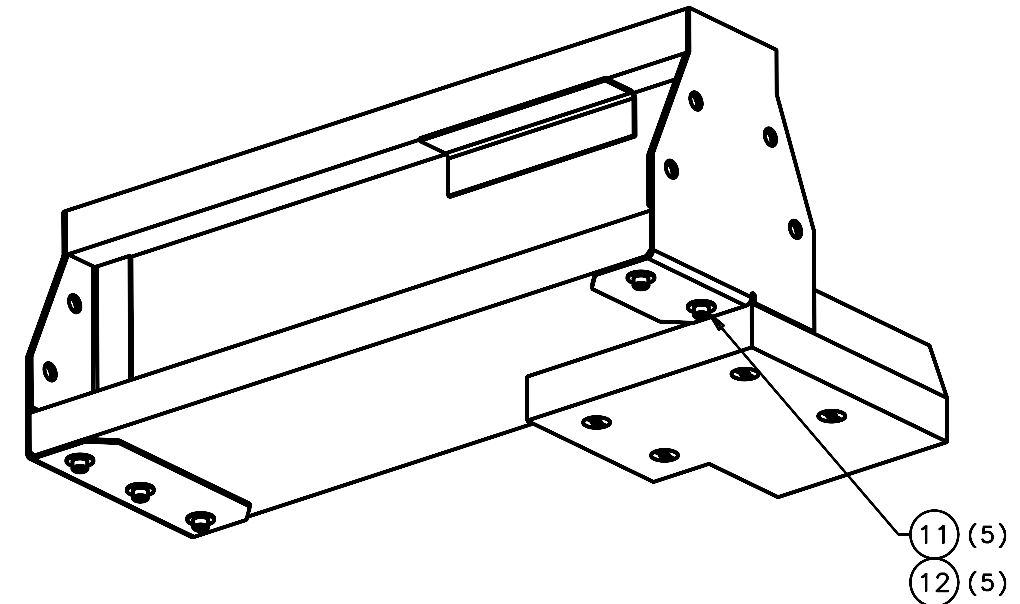
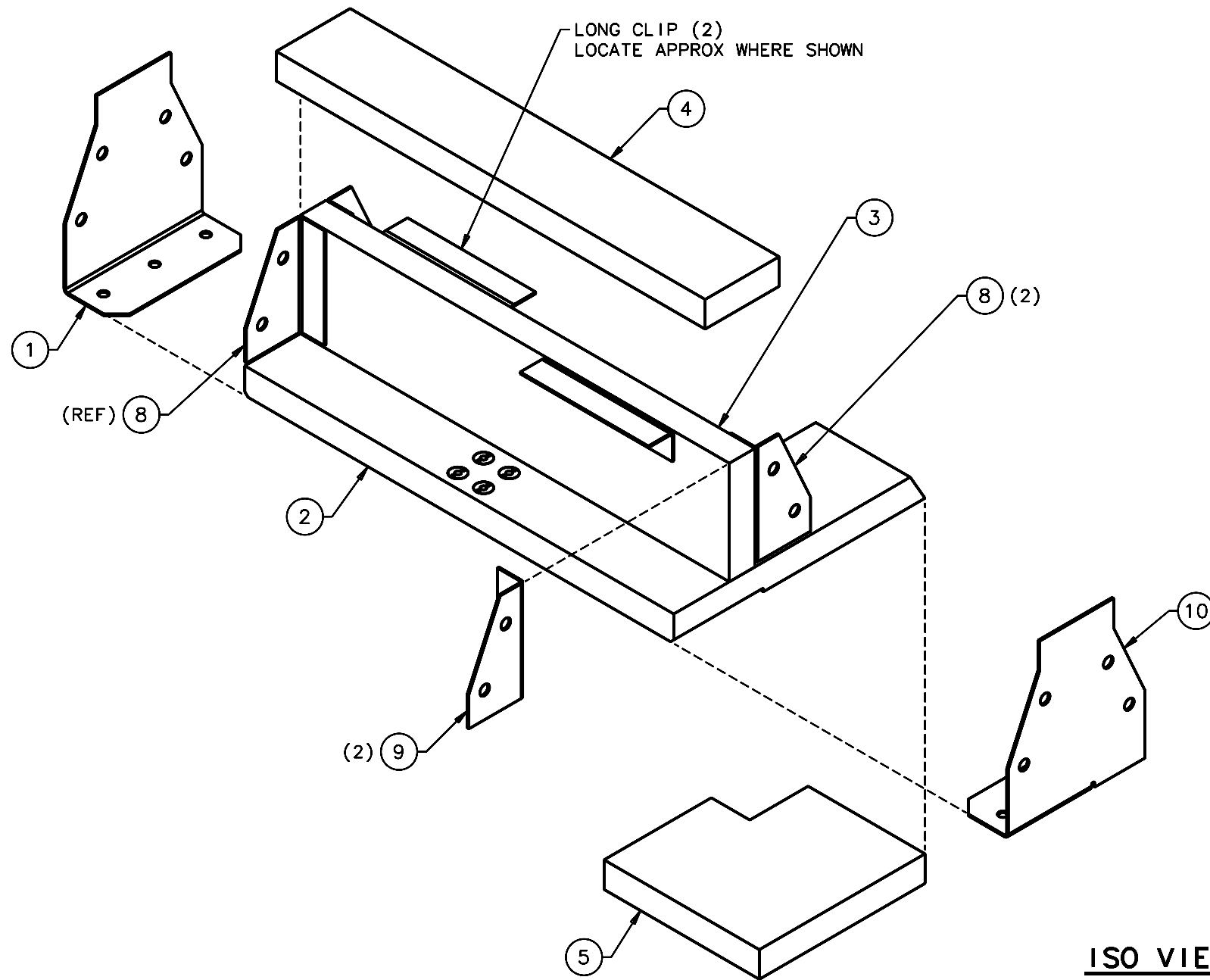


| REVISIONS | | | | |
|-----------|-----------------|---------|------------|-------------|
| LTR | DESCRIPTION | DATE | REVISED BY | APPROVED |
| A | INITIAL RELEASE | 3/10/06 | R. NAGY | J. BECHTOLD |



ISO VIEWS
SCALE NTS
ADDITIONAL VIEWS ON SHT 2

NOTES:

- BOND ALL MATING SURFACES/EDGES OF ITEMS TOGETHER USING ITEM 6 ADHESIVE.
- ② FIXTURE AS REQD DURING CURING.
- QTY REQD: 1.

| QTY PER ASSY | -3 | -2 | -1 | PART NUMBER | PART DESCRIPTION | MANUFACTURER or MAT'L SPEC | ITEM NO. |
|--------------|----|----|----|-------------|---|----------------------------|----------|
| | | | | 5 90108A411 | WASHER, FLAT, #10 x .563 OD x .036-.065, STL, ZN PLT | McMASTER-CARR | 12 |
| | | | | 5 90128A940 | SHCS, 10-32 x 3/8 LG, STL, Zn PLT | McMASTER-CARR | 11 |
| | | | | 1 16180 | TEE END PLATE W/NOTCH | | 10 |
| | | | | 2 16179 | TEE END RH SIDE BRACKET | | 9 |
| | | | | 2 16178 | TEE END LH SIDE BRACKET | | 8 |
| | | | | | | | 7 |
| | | | | AR 8280 | INDUSTRO-WELD [2-PART COLD WELD COMPOUND (STEEL/EPOXY RESIN)] | J-B WELD CO. | 6 |
| | | | | 1 14866 | FOCUS MOTOR MOUNT | | 5 |
| | | | | 1 14862 | TEE OUTER FLANGE | | 4 |
| | | | | 1 14861 | TEE WEB | | 3 |
| | | | | 1 14859 | TEE FOCUS FLANGE | | 2 |
| | | | | 1 13451 | TEE END PLATE W/O NOTCH | | 1 |

LIST OF MATERIALS

| | | | | | |
|---|----------------------|---|-------------------------------|--|--|
| DO NOT SCALE DRAWING | | THIS DRAWING CREATED IN: | | Steward Observatory, University of Arizona | |
| INTERPRET DIMENSIONS AND TOLERANCES IN ACCORDANCE WITH ASME Y14.5M-94 | | ACAD <input type="checkbox"/> | MECH <input type="checkbox"/> | IDEAS <input checked="" type="checkbox"/> | 933 N. Cherry Avenue, Tucson, AZ 85721 (520)621-7659 |
| TOLERANCES UNLESS OTHERWISE SPECIFIED | | DESIGNED BY: D. DEAN | DATE: 1/24/06 | CATEGORY: MMT | |
| LINEAR ANGULAR | | DRAWN BY: R. NAGY | 1/24/06 | PROJECT: MAESTRO | |
| .1 - NA | | CHECKED BY: W. DAVISON | 3/10/06 | TITLE: LENS CAN SUPPORT | |
| .XX - NA | | APPROVED: J. BECHTOLD | 3/10/06 | LENS CAN 1 & FOCUS SUPPORT TEE | |
| .XXX - NA | | APPROVED: | | PLOT SIZE SCALE: D - | |
| DIAMETRICAL SEE SPEC S-002 | | APPROVED: | | DRAWING NUMBER: 14858 | |
| DIMENSIONS ARE IN INCHES / DIMENSIONS IN 1/16 INCHES | | APPROVED: | | REVISION: A | |
| MATERIAL | 13424 MMT-MAESTRO | APPROVED: | | SHEET 1 OF 2 | |
| FINISH | NEXT ASSY USED ON | APPROVED: | | | |
| | ASSEMBLY APPLICATION | CURRENT TIME/DATE/FILE LOCATION: | | | |
| | | DRAWING ARCHIVE LOCATION: http://davincl.as.arizona.edu/ccad/default.html | | | |