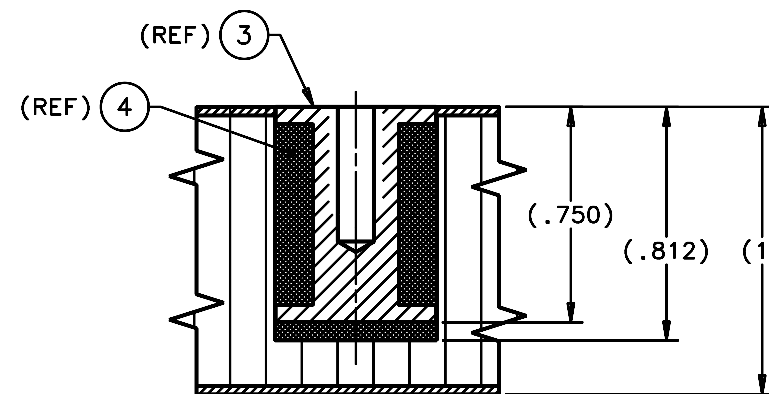
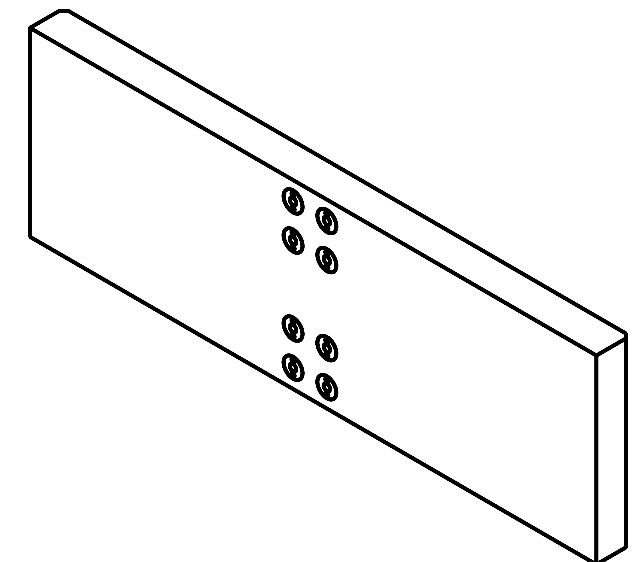
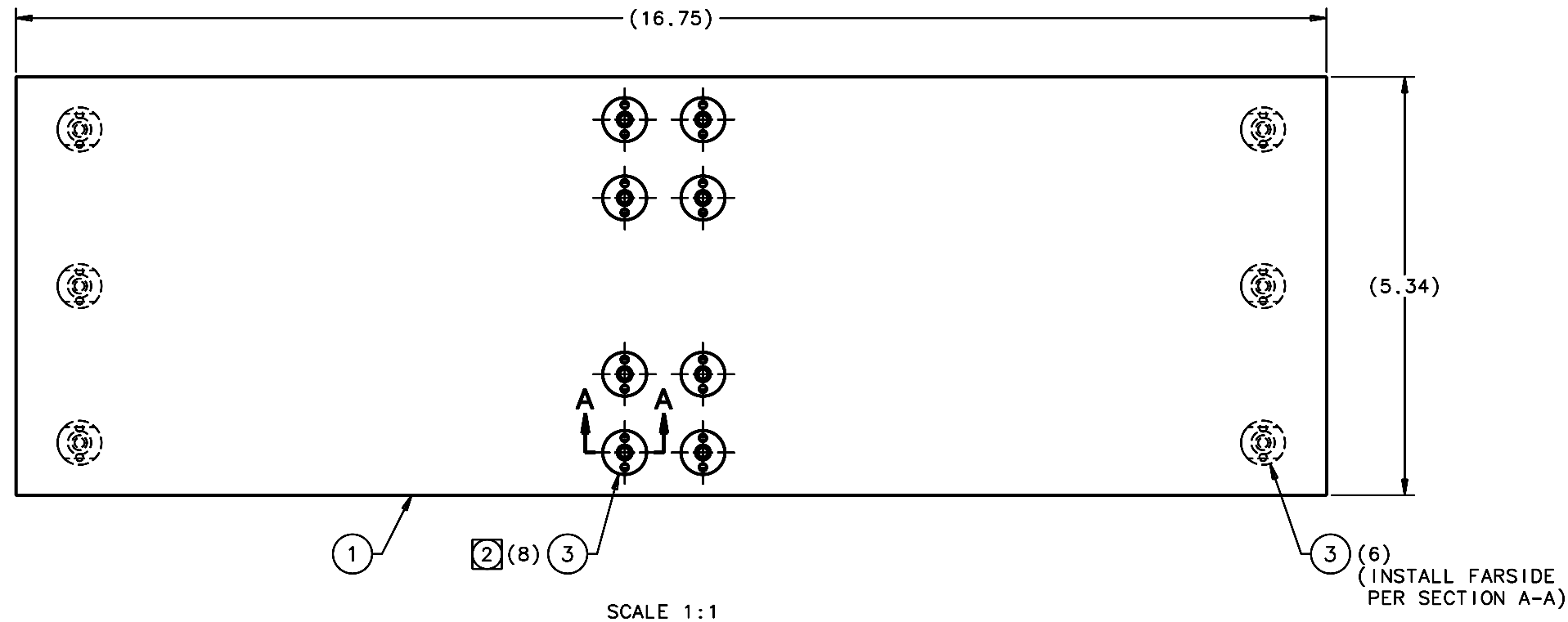


REVISIONS				
LTR	DESCRIPTION	DATE	REVISED BY	APPROVED
A	INITIAL RELEASE	3/10/06	R. NAGY	J. BECHTOLD



(8X) SECTION A-A
SCALE 3:1

QTY PER ASSY	QTY PER ASSY	QTY PER ASSY	PART NUMBER	PART DESCRIPTION	MANUFACTURER or MAT'L SPEC	ITEM NO.
			AR 8280	INDUSTRO-WELD [2-PART COLD WELD COMPOUND (STEEL/EPOXY RESIN)]	J-B WELD CO.	4
			14	NAS1832-3N6	INSERT, MOLDED IN, BLIND THD, NON-LOCK, .190-32 x .750 LG, STL, CAD PLT	OR EQUIVALENT
						2
			1	14863	TEE INNER FLANGE PANEL	1

NOTES:

- REQUIRED DOCUMENTS:
 - SP14038 INSERT SPECIFICATION/INSTALLATION FOR MAESTRO COMPOSITE PANEL.
- POT INSERTS IN PLACE USING ITEM 4 ADHESIVE.
- INSERTS INCLUDE AN ADHESIVE-BACKED NAS1837 INSTALLATION TAB.
- QTY REQD: 2.

DO NOT SCALE DRAWING INTERPRET DIMENSIONS AND TOLERANCES IN ACCORDANCE WITH ASME Y14.5M-94		THIS DRAWING CREATED IN: ACAD <input type="checkbox"/> MECH <input type="checkbox"/> IDEAS <input checked="" type="checkbox"/>		Steward Observatory, University of Arizona 933 N. Cherry Avenue, Tucson, AZ 85721 (520)621-7659	
TOLERANCES UNLESS OTHERWISE SPECIFIED LINEAR .XX - NA .XXX - NA ANGULAR NA DIAMETRICAL SEE SPEC S-002		DESIGNED BY: D. DEAN/R. NAGY	DATE: 1/23/06	CATEGORY: MMT	
MATERIAL - NEXT ASSY USED ON		DRAWN BY: R. NAGY	DATE: 1/23/06	PROJECT: MAESTRO	
FINISH -		CHECKED BY: W. DAVISON	DATE: 3/10/06	TITLE: LENS CAN SUPPORT LENS 1 SIDE TEE INNER FLANGE (W/INSERTS)	
ASSEMBLY APPLICATION		APPROVED BY: J. BECHTOLD	DATE: 3/10/06	PLOT SIZE SCALE: D - DRAWING NUMBER: 14856 REVISION: A	
CURRENT TIME/DATE/FILE LOCATION:		DRAWING ARCHIVE LOCATION: http://davinci.as.arizona.edu/ccad/default.html		SHEET 1 OF 1	