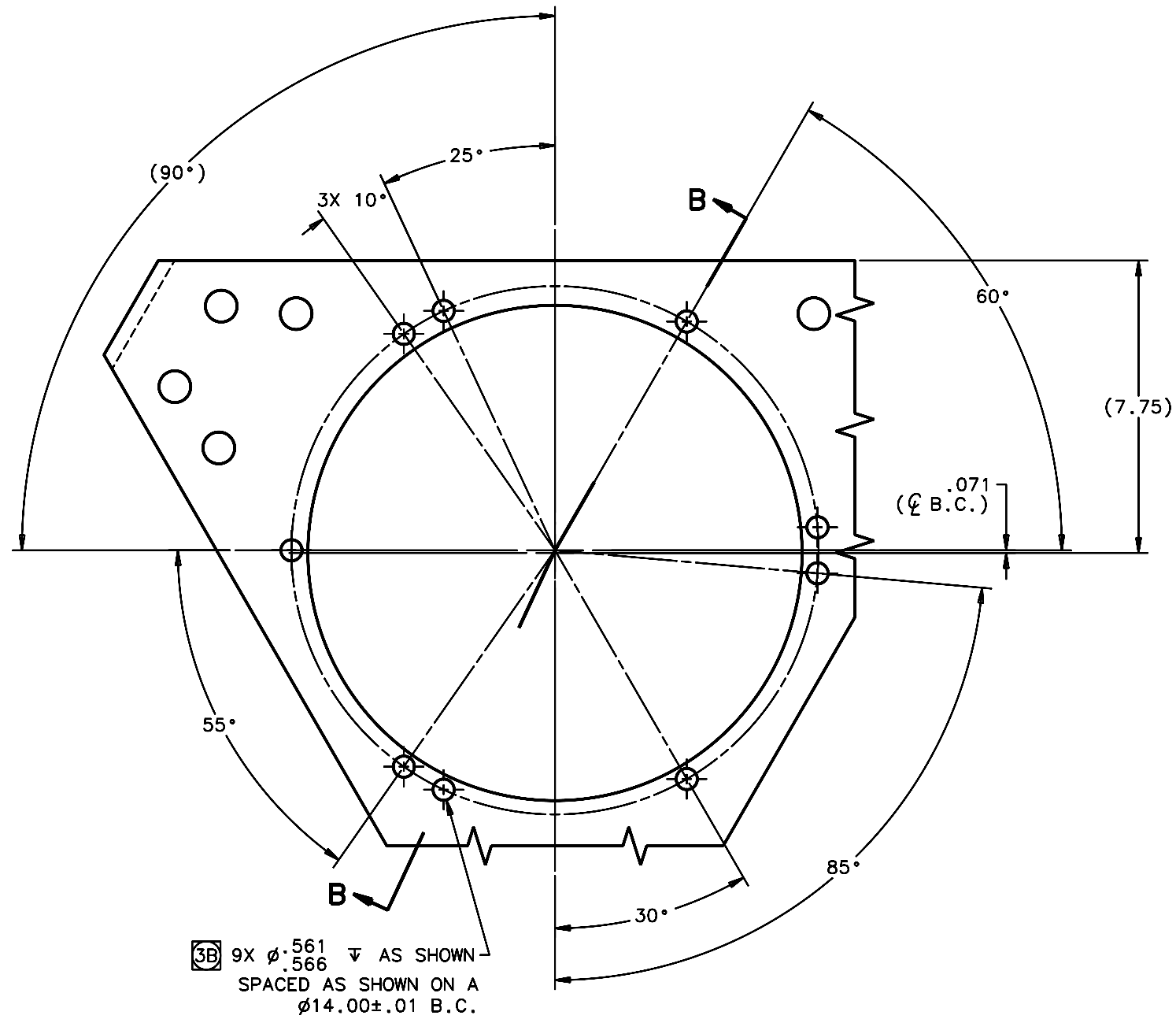
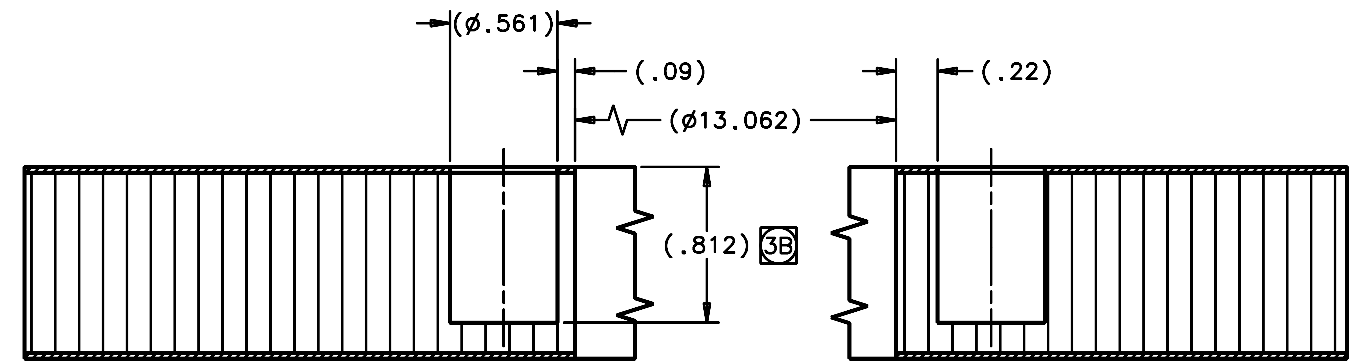


REVISIONS				
LTR	DESCRIPTION	DATE	REVISED BY	APPROVED
A	INITIAL RELEASE	3/7/06	R. NAGY	J. BECHTOLD



DETAIL A
(SHT 1)
SCALE 1:2



SECTION B-B
(THIS SHT)
SCALE 2:1
ROTATED 65° CW

DO NOT SCALE DRAWING INTERPRET DIMENSIONS AND TOLERANCES IN ACCORDANCE WITH ASME Y14.5M-94		THIS DRAWING CREATED IN: ACAD <input type="checkbox"/> MECH <input type="checkbox"/> IDEAS <input checked="" type="checkbox"/>		Steward Observatory, University of Arizona 933 N. Cherry Avenue, Tucson, AZ 85721 (520)621-7659	
TOLERANCES UNLESS OTHERWISE SPECIFIED LINEAR .XX ±.03 .XXX ±.010 ANGULAR ± 1° DIAMETRICAL SEE SPEC S-002		DESIGNED BY: D. DEAN/R. NAGY	DATE: 3/17/04	CATEGORY: MMT	
MATERIAL 1		DRAWN BY: R. NAGY	3/19/04	PROJECT: MAESTRO	
FINISH NONE		CHECKED BY: W. DAVISON	2/28/06	TITLE: LENS CAN SUPPORT PRISM CELL BULKHEAD PANEL (W/O INSERTS)	
ASSEMBLY APPLICATION		APPROVED: J. BECHTOLD	3/7/06	PLOT SIZE SCALE: D -	DRAWING NUMBER: 14578
CURRENT TIME/DATE/FILE LOCATION:		DRAWING ARCHIVE LOCATION: http://dovinc1.es.arizona.edu/ocod/default.html		REVISION: A	SHEET 2 OF 2