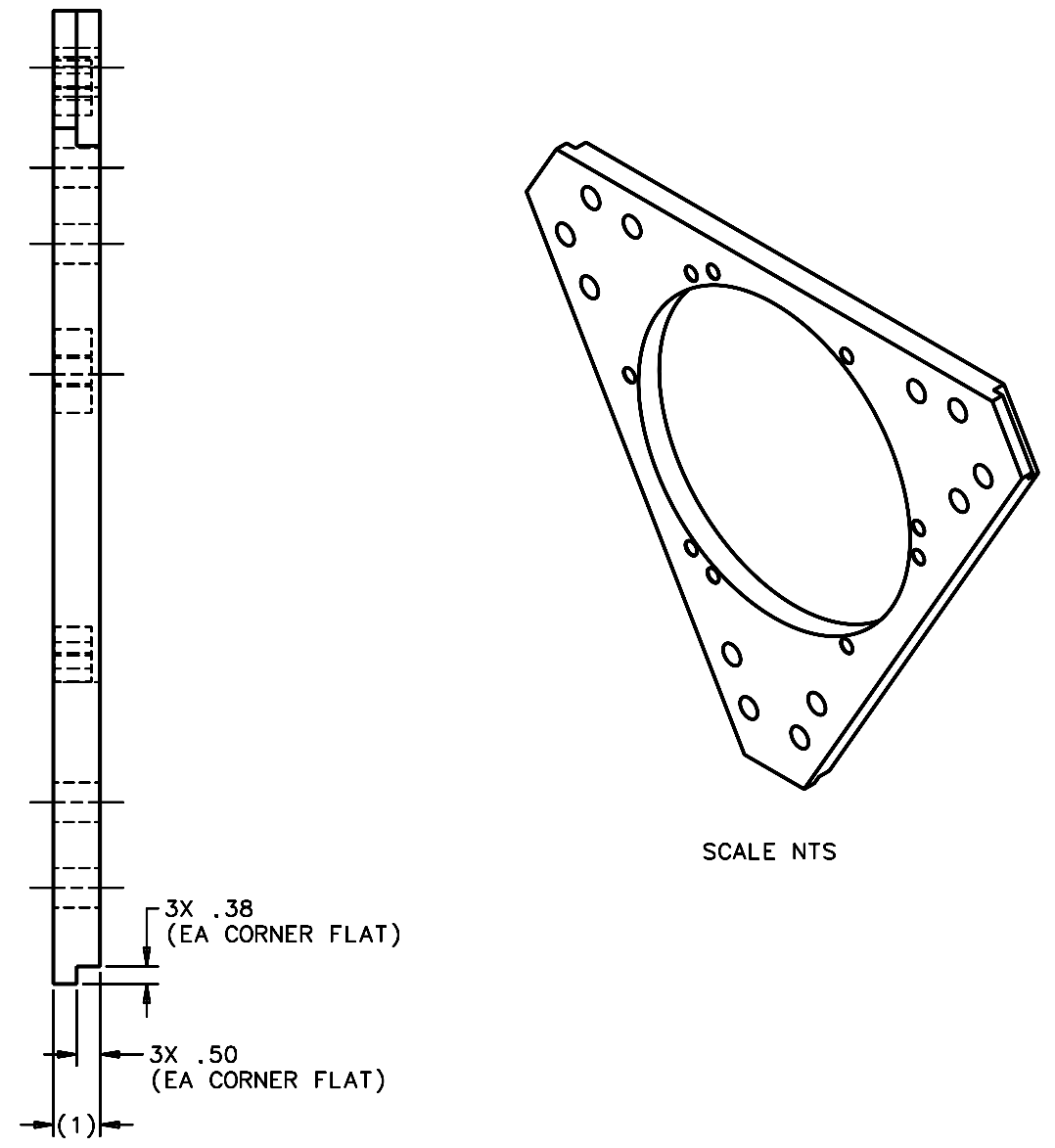
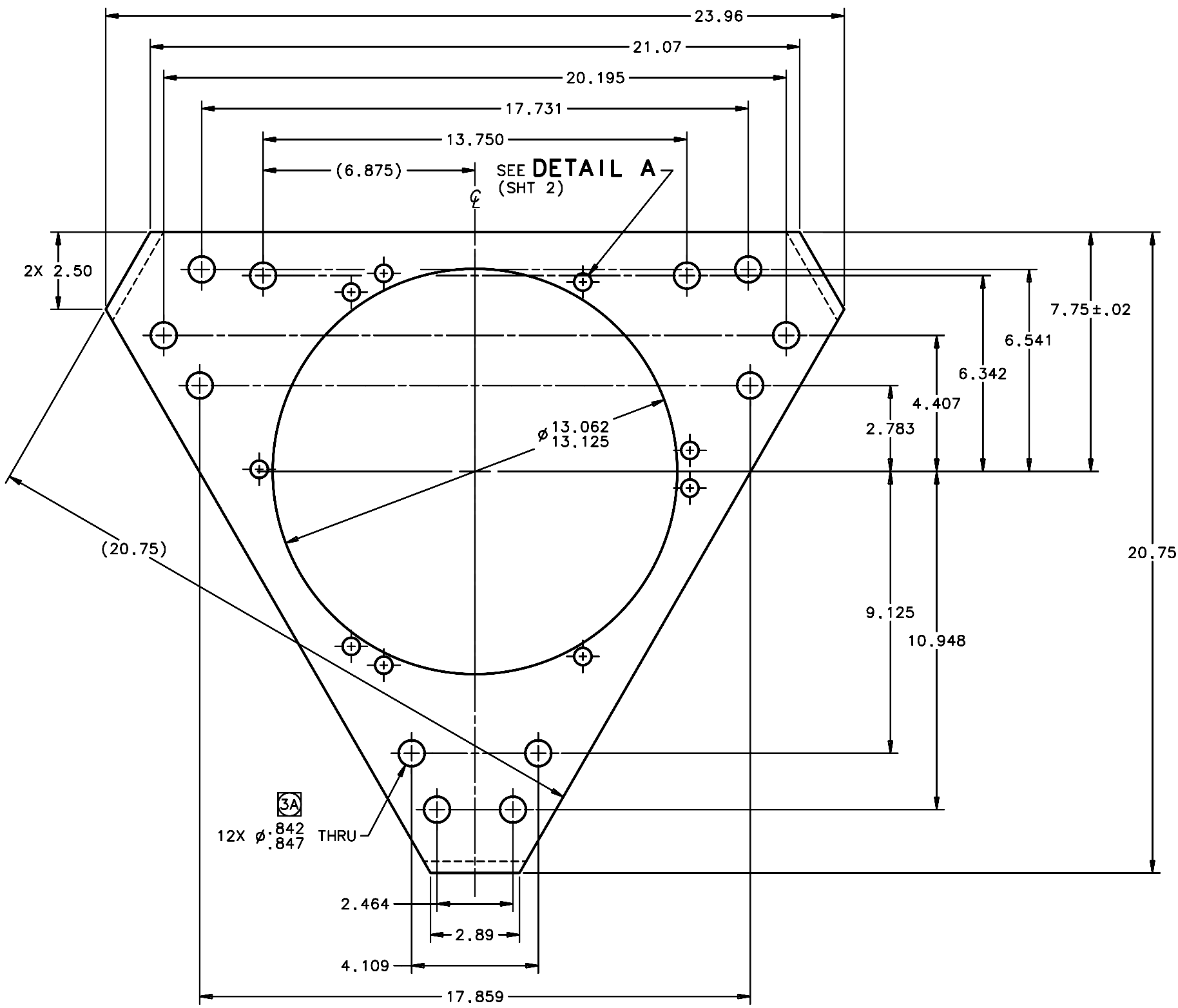


REVISIONS				
LTR	DESCRIPTION	DATE	REVISED BY	APPROVED
A	INITIAL RELEASE	3/7/06	R. NAGY	J. BECHTOLD



SCALE 1:2

- NOTES:
- MATERIAL: MAKE FROM BLANK AS CUT FROM 13594 COMPOSITE PANEL PART LAYOUT.
 - BREAK SHARP EDGES & DEBURR HOLES.
 - NOTED HOLES ARE FOR MOLDED-IN INSERTS AS SPECIFIED PER NEXT ASSEMBLY:
 A. NAS1834A6-1000
 B. NAS1832-3N6
 ALSO SEE DOCUMENT NO. SP14038 FOR ANY ADDITIONAL HOLE PREPARATION DATA.
 - QTY REQUIRED: 1

DO NOT SCALE DRAWING		THIS DRAWING CREATED IN:		Steward Observatory, University of Arizona	
INTERPRET DIMENSIONS AND TOLERANCES IN ACCORDANCE WITH ASME Y14.5M-94		ACAD	MECH	933 N. Cherry Avenue, Tucson, AZ 85721 (520)621-7659	
TOLERANCES UNLESS OTHERWISE SPECIFIED		<input type="checkbox"/>	<input type="checkbox"/>	DESIGNED BY: D. DEAN/R. NAGY	DATE: 3/17/04
LINEAR		<input type="checkbox"/>	<input checked="" type="checkbox"/>	DRAWN BY: R. NAGY	3/19/04
ANGULAR		CATEGORY: MMT			
.X = NA ± 1°		PROJECT: MAESTRO			
.XX = ±.03		CHECKED BY: W. DAVISON			
.XXX = ±.010		2/28/06			
DIAMETRICAL		APPROVED BY: J. BECHTOLD			
SEE SPEC S-002		3/7/06			
DIMENSIONS ARE IN INCHES / DIMENSIONS IN [] ARE METRIC		APPROVED:			
MATERIAL	13785	MMT-MAESTRO	APPROVED:		
<input checked="" type="checkbox"/>	NEXT ASSY	USED ON	APPROVED:		
FINISH	ASSEMBLY APPLICATION		CURRENT TIME/DATE/FILE LOCATION:		REVISION: A
NONE			DRAWING ARCHIVE LOCATION: http://dovinc1.es.arizona.edu/ocod/default.html		
				PLOT SIZE SCALE: D -	DRAWING NUMBER: 14578
				SHEET 1 OF 2	