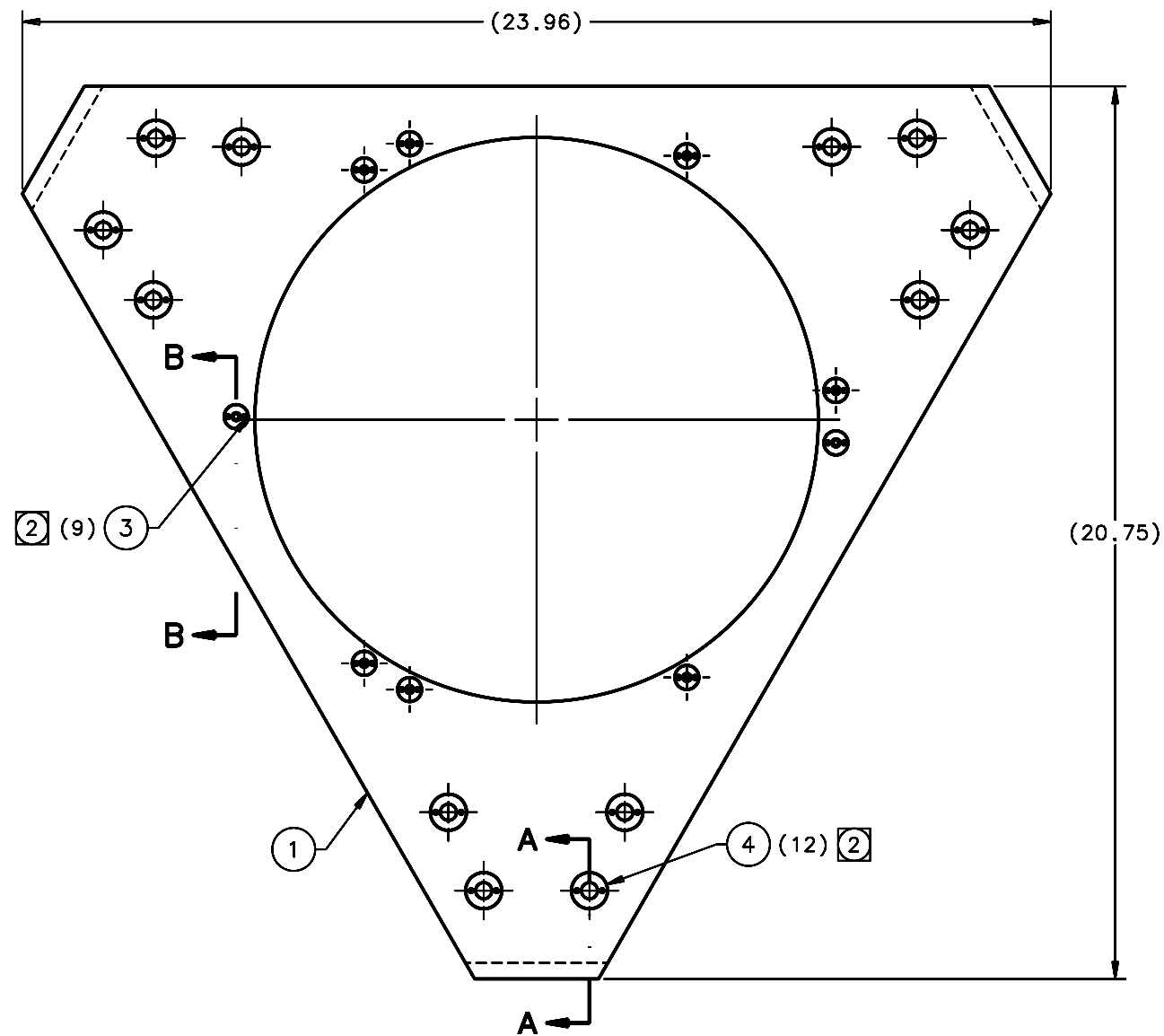
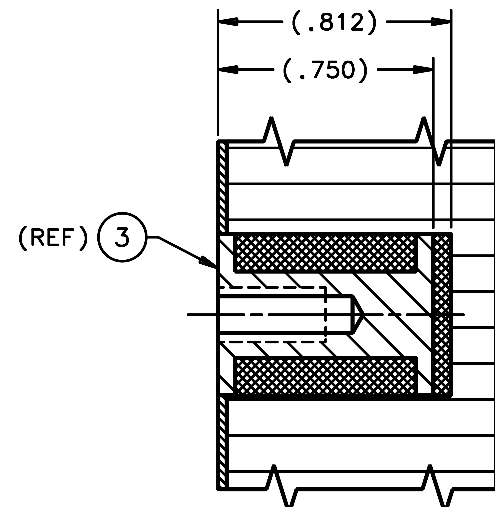


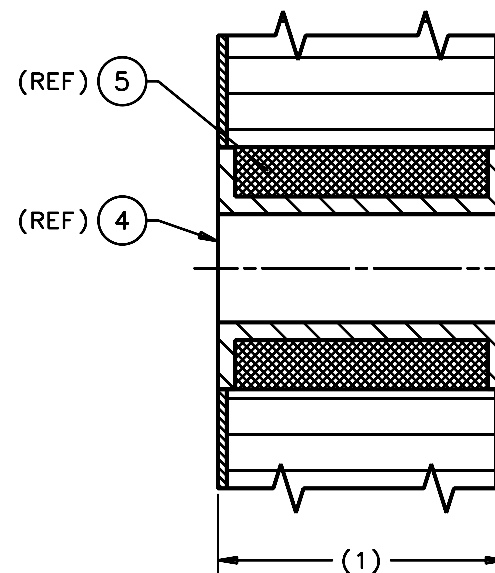
REVISIONS				
LTR	DESCRIPTION	DATE	REVISED BY	APPROVED
A	INITIAL RELEASE	3/7/06	R. NAGY	J. BECHTOLD



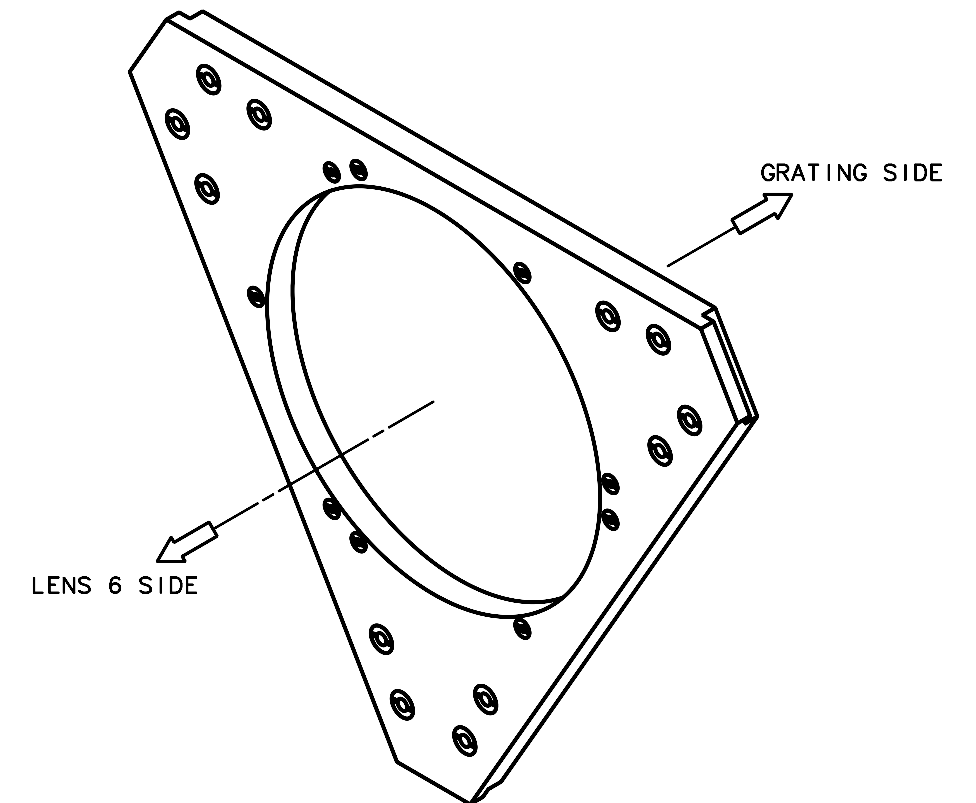
SCALE 1:2



(9X) SECTION B-B
SCALE 3:1



(12X) SECTION A-A
SCALE 3:1



SCALE NTS

NOTES:

1. REQUIRED DOCUMENTS:

A. SP14038 INSERT SPECIFICATION/INSTALLATION FOR MAESTRO COMPOSITE PANEL

(2) POT INSERTS IN PLACE USING ITEM 5 ADHESIVE.

(3) INSERTS INCLUDE AN ADHESIVE-BACKED NAS1837 INSTALLATION TAB.

4. QTY REQD: 1.

QTY PER ASSY	PART NUMBER	PART DESCRIPTION	MANUFACTURER of MAT'L SPEC	ITEM NO.
	AR 8280	INDUSTRO-WELD [2-PART COLD WELD COMPOUND (STEEL/EPOXY RESIN)]	J-B WELD CO.	5
	12 NAS1834A61000	INSERT, MOLDED IN, THRU HOLE, ϕ .376-.383 HOLE x 1.000 LG, ALUM	OR EQUIVALENT	4
	9 NAS1832-3N6	INSERT, MOLDED IN, BLIND THD, NON-LOCK, .190-32 x .750 LG, STL, CAD PLT	OR EQUIVALENT	3
				2
	1 14578	PRISM CELL BULKHEAD PANEL (W/O INSERTS)		1

LIST OF MATERIALS				
<p>DO NOT SCALE DRAWING</p> <p>INTERPRET DIMENSIONS AND TOLERANCES IN ACCORDANCE WITH ASME Y14.5M-94</p> <p>TOLERANCES UNLESS OTHERWISE SPECIFIED</p> <p>LINEAR ANGULAR</p> <p>.X - NA</p> <p>.XX - NA</p> <p>.XXX - NA</p> <p>DIAMETRICAL SEE SPEC S-002</p> <p>DECIMALS ARE IN INCHES / DIMENSIONS IN 1.1 ARE METRIC</p> <p>MATERIAL</p> <p>13424 MMT-MAESTRO</p> <p>NEXT ASSY USED ON</p> <p>FINISH</p> <p>ASSEMBLY APPLICATION</p>				
<p>THIS DRAWING CREATED IN:</p> <p>ACAD MECH IDEAS</p> <p><input type="checkbox"/> <input type="checkbox"/> <input checked="" type="checkbox"/></p>		<p>Steward Observatory, University of Arizona</p> <p>933 N. Cherry Avenue, Tucson, AZ 85721 (520)621-7659</p> <p>DESIGNED BY: D. DEAN/R. NAGY DATE: 1/12/06 CATEGORY: MMT</p> <p>DRAWN BY: R. NAGY 1/25/06 PROJECT: MAESTRO</p> <p>CHECKED BY: W. DAVISON 2/28/06 TITLE: LENS CAN SUPPORT PRISM CELL BULKHEAD (W/INSERTS)</p> <p>APPROVED: J. BECHTOLD 3/7/06</p> <p>APPROVED:</p> <p>APPROVED:</p> <p>APPROVED:</p>		
<p>13424 MMT-MAESTRO</p> <p>NEXT ASSY USED ON</p>		<p>PLOT SIZE SCALE: DRAWING NUMBER: REVISION:</p> <p>D - 13785 A</p>		
<p>CURRENT TIME/DATE/FILE LOCATION: SHEET 1 OF 1</p> <p>DRAWING ARCHIVE LOCATION: http://dovinc1.es.arizona.edu/ocod/default.html</p>				