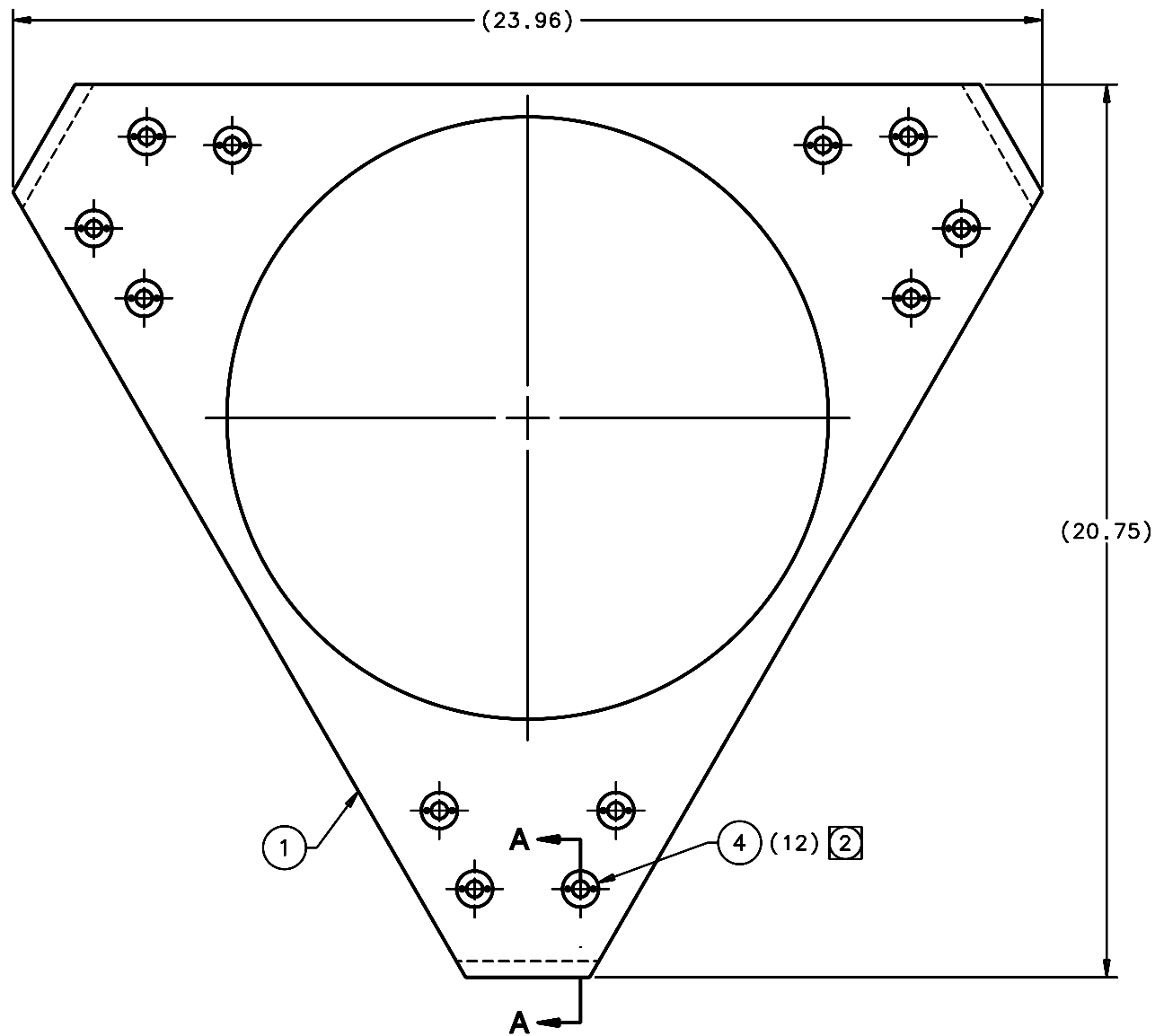
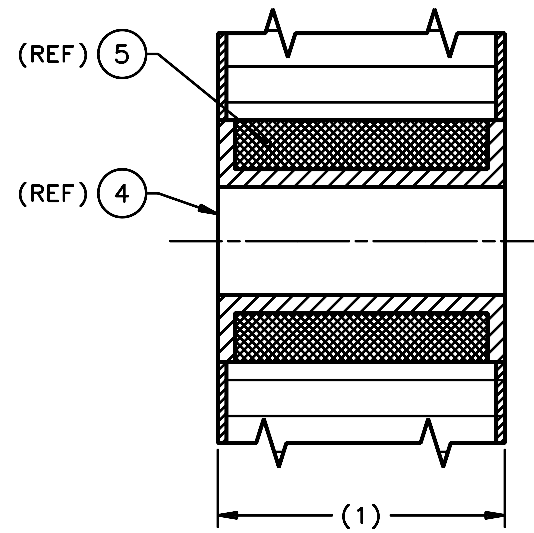


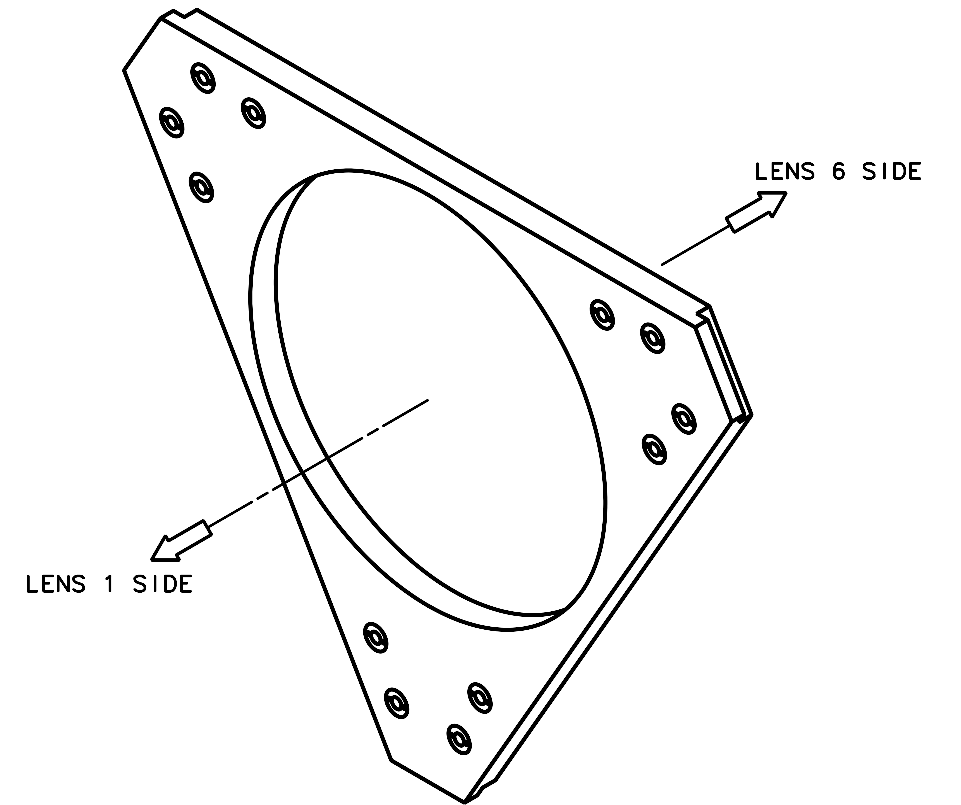
REVISIONS				
LTR	DESCRIPTION	DATE	REVISED BY	APPROVED
A	INITIAL RELEASE	3/7/06	R. NAGY	J. BECHTOLD
B	DRAWING LOG BOOK NUMBERING ERROR; ITEM 1 WAS 16154	5/16/06	R. NAGY	R. WARNER



SCALE 1:2



(12X) SECTION A-A  
SCALE 3:1



SCALE NTS

NOTES:

1. REQUIRED DOCUMENTS:

A. SP14038 INSERT SPECIFICATION/INSTALLATION FOR MAESTRO COMPOSITE PANEL

2 POT INSERTS IN PLACE USING ITEM 5 ADHESIVE.

3 INSERTS INCLUDE AN ADHESIVE-BACKED NAS1837 INSTALLATION TAB.

4. QTY REQD: 1.

QTY PER ASSY	QTY PER ASSY	QTY PER ASSY	PART NUMBER	PART DESCRIPTION	MANUFACTURER of MAT'L SPEC	ITEM NO.
-3	-2	-1				
			AR	8280	INDUSTRO-WELD [2-PART COLD WELD COMPOUND (STEEL/EPOXY RESIN)]	J-B WELD CO. 5
			12	NAS1834A61000	INSERT, MOLDED IN, THRU HOLE, $\phi$ .376-.383 HOLE x 1.000 LG, ALUM	OR EQUIVALENT 4
						3
						2
			1	17077	LENS CAN BULKHEAD PANEL	1

LIST OF MATERIALS

DO NOT SCALE DRAWING INTERPRET DIMENSIONS AND TOLERANCES IN ACCORDANCE WITH ASME Y14.5M-94		THIS DRAWING CREATED IN: ACAD <input type="checkbox"/> MECH <input type="checkbox"/> IDEAS <input checked="" type="checkbox"/>		Steward Observatory, University of Arizona 933 N. Cherry Avenue, Tucson, AZ 85721 (520)621-7659	
TOLERANCES UNLESS OTHERWISE SPECIFIED LINEAR .X - NA .XX - NA .XXX - NA ANGULAR NA DIAMETRICAL SEE SPEC S-002		DESIGNED BY: D. DEAN/R. NAGY DATE: 1/12/06		CATEGORY: MMT	
MATERIAL		DRAWN BY: R. NAGY DATE: 1/26/06		PROJECT: MAESTRO	
FINISH		CHECKED BY: W. DAVISON DATE: 2/28/06		TITLE: LENS CAN SUPPORT LENS CAN BULKHEAD W/NOTCHES (W/INSERTS)	
-		APPROVED: J. BECHTOLD DATE: 3/7/06		PLOT SIZE SCALE: D -	
-		NEXT ASSY USED ON		DRAWING NUMBER: 13456	
-		ASSEMBLY APPLICATION		REVISION: B	
-		CURRENT TIME/DATE/FILE LOCATION:			
-		DRAWING ARCHIVE LOCATION: http://dovinc1.es.arizona.edu/ocod/default.html			