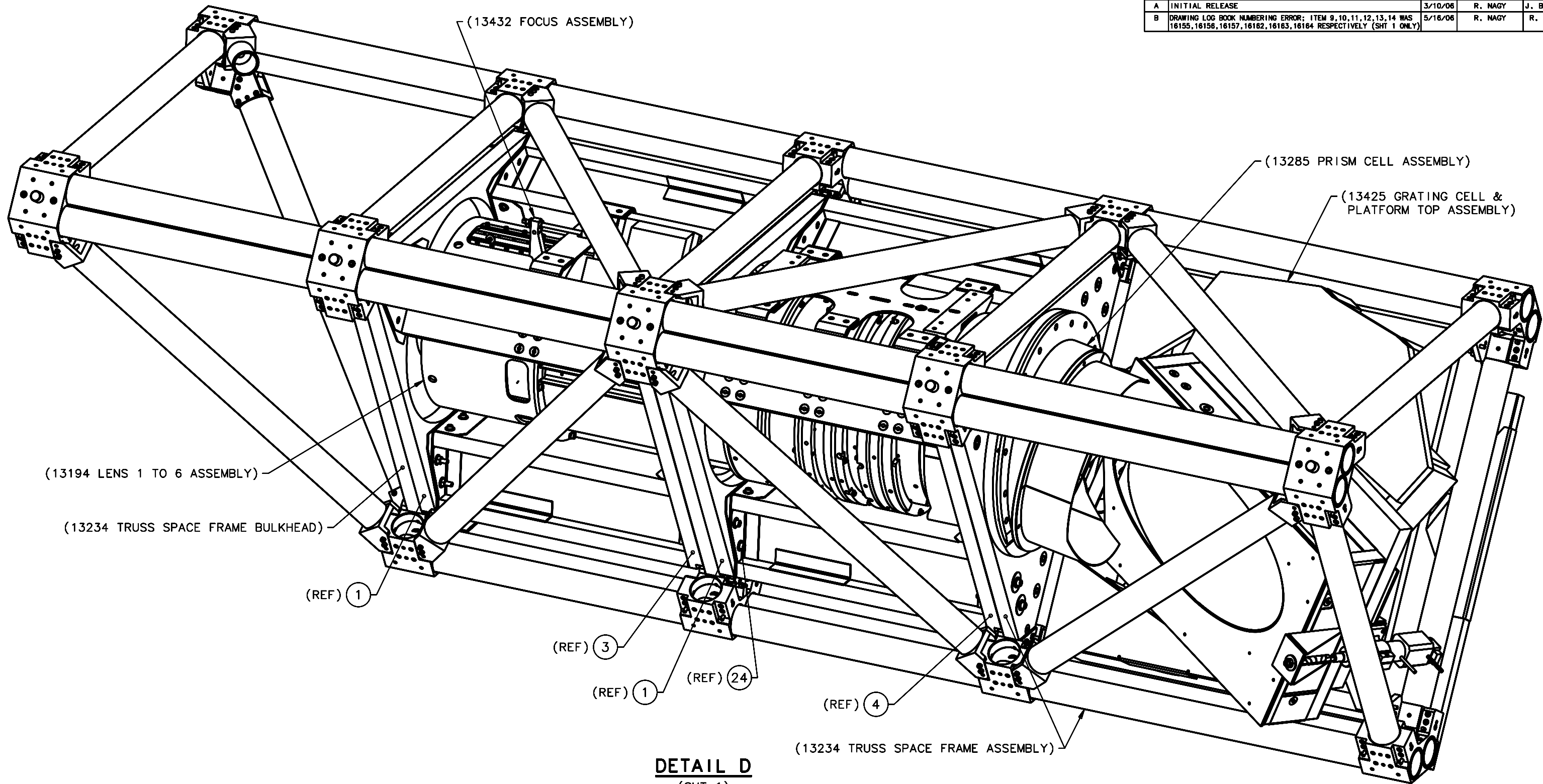


REVISIONS				
LTR	DESCRIPTION	DATE	REVISED BY	APPROVED
A	INITIAL RELEASE	3/10/06	R. NAGY	J. BECHTOLD
B	DRAWING LOG BOOK NUMBERING ERROR: ITEM 9,10,11,12,13,14 WAS 16155,16156,16157,16162,16163,16164 RESPECTIVELY (SHT 1 ONLY)	5/16/06	R. NAGY	R. WARNER



DETAIL D

(SHT 1)
SCALE NTS

SEVERAL TRIANGULAR FRAME TUBES
OMITTED TO SHOW BULKHEADS

DO NOT SCALE DRAWING INTERPRET DIMENSIONS AND TOLERANCES IN ACCORDANCE WITH ASME Y14.5M-94		THIS DRAWING CREATED IN: ACAD <input type="checkbox"/> MECH <input type="checkbox"/> IDEAS <input checked="" type="checkbox"/>		Steward Observatory, University of Arizona 933 N. Cherry Avenue, Tucson, AZ 85721 (520)621-7659	
TOLERANCES UNLESS OTHERWISE SPECIFIED LINEAR .1 - NA .05 - NA .02 - NA ANGULAR .5 - NA DIAMETRICAL SEE SPEC S-002		DESIGNED BY: D. DEAN	DATE: 12/5/05	CATEGORY: MMT	
MATERIAL -		DRAWN BY: R. NAGY	1/27/06	PROJECT: MAESTRO	
FINISH -		CHECKED BY: W. DAVISON	3/10/06	TITLE: LENS CAN SUPPORT ASSEMBLY	
ASSEMBLY APPLICATION		APPROVED: J. BECHTOLD	3/10/06	PLOT SIZE SCALE: D -	DRAWING NUMBER: 13424
CURRENT TIME/DATE/FILE LOCATION:		APPROVED:		REVISION: B	SHEET 6 OF 6
DRAWING ARCHIVE LOCATION: http://dovinci.as.arizona.edu/ccod/default.html		APPROVED:			