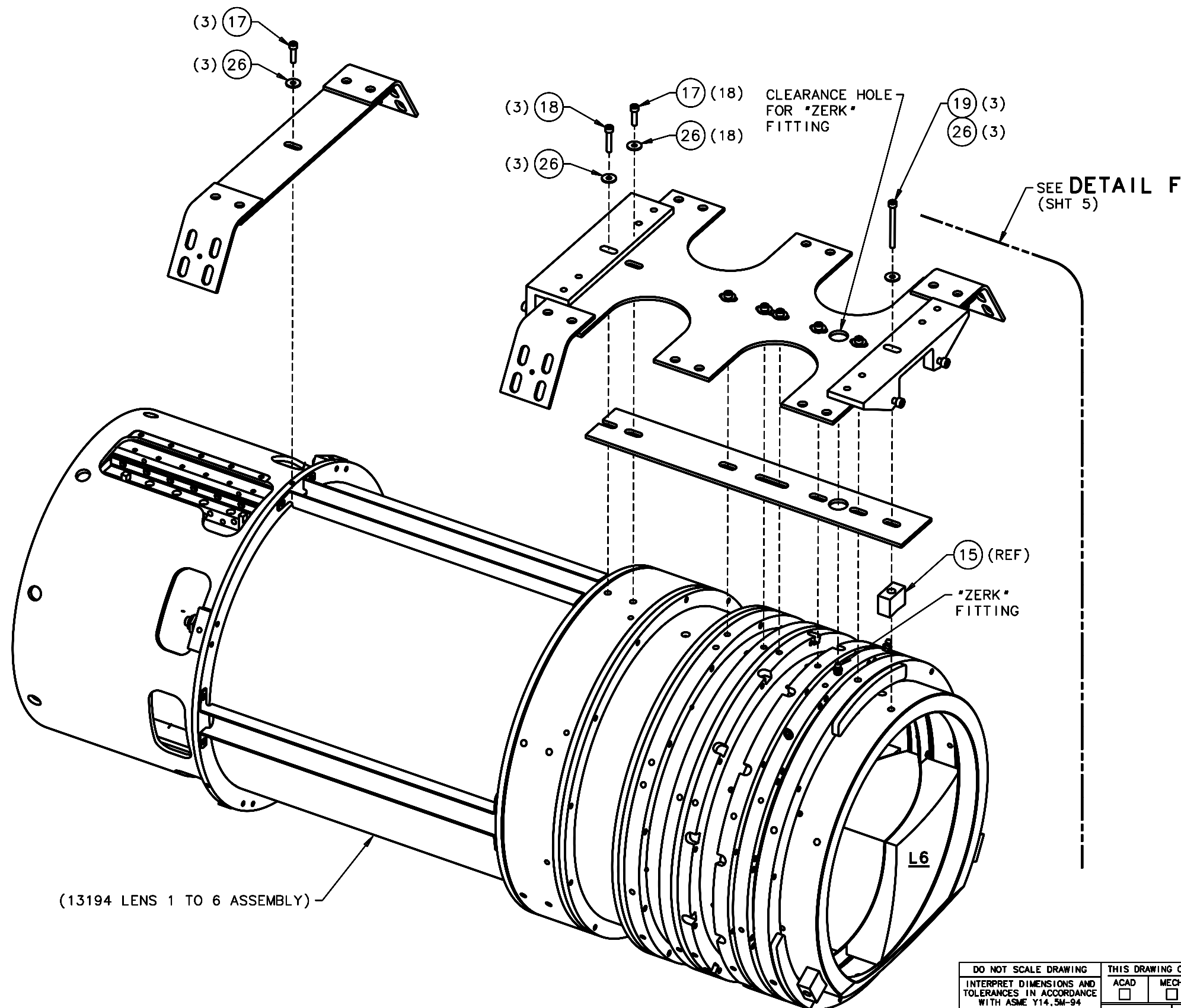


REVISIONS				
LTR	DESCRIPTION	DATE	REVISED BY	APPROVED
A	INITIAL RELEASE	3/10/06	R. NAGY	J. BECHTOLD



DETAIL E
(SHT 3)
SCALE NTS
TYP ATTACHMENT ALL AROUND TO LENS CAN ASSEMBLY

DO NOT SCALE DRAWING INTERPRET DIMENSIONS AND TOLERANCES IN ACCORDANCE WITH ASME Y14.5M-94		THIS DRAWING CREATED IN: ACAD <input type="checkbox"/> MECH <input type="checkbox"/> IDEAS <input checked="" type="checkbox"/>		Steward Observatory, University of Arizona 933 N. Cherry Avenue, Tucson, AZ 85721 (520)621-7659	
TOLERANCES UNLESS OTHERWISE SPECIFIED LINEAR .1 - NA .05 - NA .005 - NA ANGULAR NA		DESIGNED BY: D. DEAN DATE: 12/5/05		CATEGORY: MMT	
DIAMETRICAL SEE SPEC S-002		DRAWN BY: R. NAGY DATE: 1/27/06		PROJECT: MAESTRO	
MATERIAL: -		CHECKED BY: W. DAVISON DATE: 3/10/06		TITLE: LENS CAN SUPPORT ASSEMBLY	
FINISH: -		APPROVED BY: J. BECHTOLD DATE: 3/10/06		PLOT SIZE SCALE: D -	
NEXT ASSY USED ON		APPROVED:		DRAWING NUMBER: 13424	
ASSEMBLY APPLICATION		CURRENT TIME/DATE/FILE LOCATION:		REVISION: A	
		DRAWING ARCHIVE LOCATION: http://davincl.as.arizona.edu/ccad/default.html		SHEET 4 OF 6	