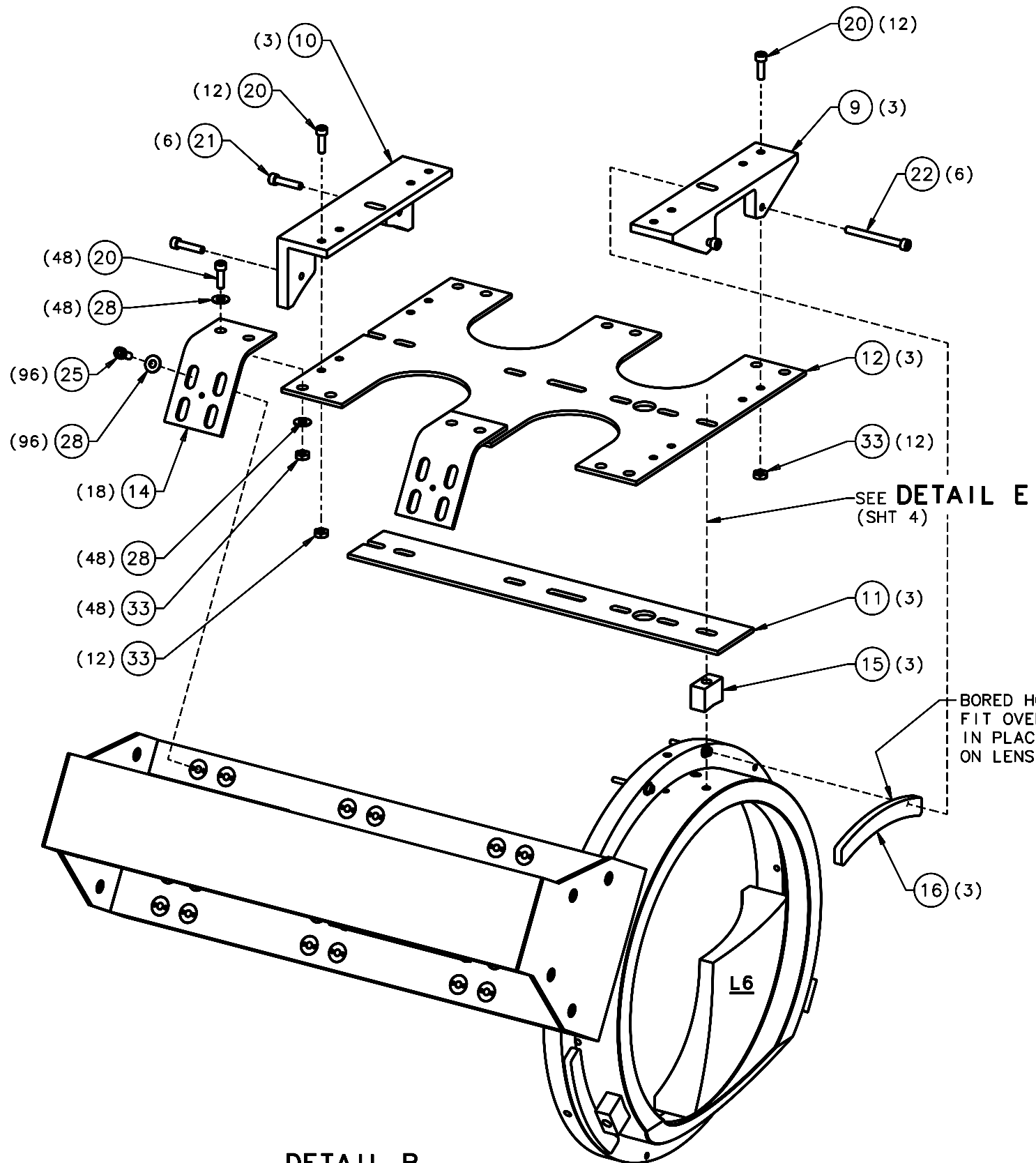


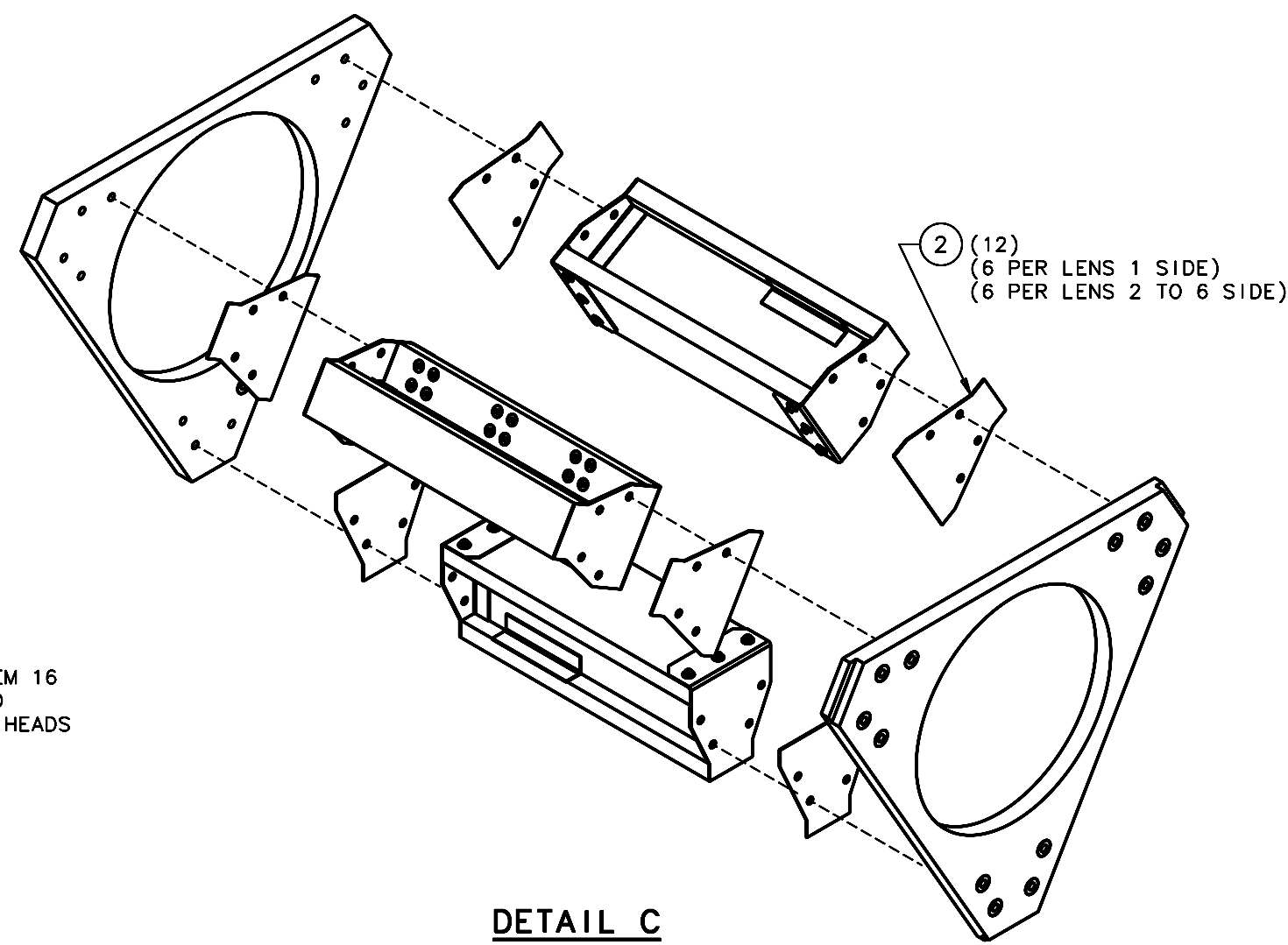
REVISIONS				
LTR	DESCRIPTION	DATE	REVISED BY	APPROVED
A	INITIAL RELEASE	3/10/06	R. NAGY	J. BECHTOLD



**DETAIL B**

(SHT 1)  
SCALE NTS

HARWARE TOTALS REFLECT TYP ATTACHING HARDWARE  
WHERE APPLICABLE FOR BOTH THE PRISM & LENS 1 CELL SIDES  
(LENS 2 TO 6 SIDE SHOWN)



**DETAIL C**

(SHT 1)  
SCALE NTS  
MODULAR TYPE ASSEMBLY  
FOR BOTH THE LENS 1 & LENS 2 TO 6 SIDES  
(LENS 2 TO 6 SIDE SHOWN)

DO NOT SCALE DRAWING INTERPRET DIMENSIONS AND TOLERANCES IN ACCORDANCE WITH ASME Y14.5M-94		THIS DRAWING CREATED IN: ACAD <input type="checkbox"/> MECH <input type="checkbox"/> IDEAS <input checked="" type="checkbox"/>		Steward Observatory, University of Arizona 933 N. Cherry Avenue, Tucson, AZ 85721 (520)621-7659	
TOLERANCES UNLESS OTHERWISE SPECIFIED LINEAR .1 - NA .05 - NA .02 - NA ANGULAR NA DIAMETRICAL SEE SPEC S-002		DESIGNED BY: D. DEAN	DATE: 12/5/05	CATEGORY: MMT	
MATERIAL -		DRAWN BY: R. NAGY	1/27/06	PROJECT: MAESTRO	
FINISH -		CHECKED BY: W. DAVISON	3/10/06	TITLE: LENS CAN SUPPORT ASSEMBLY	
ASSEMBLY APPLICATION		APPROVED BY: J. BECHTOLD	3/10/06	PLOT SIZE SCALE: D -	
CURRENT TIME/DATE/FILE LOCATION:		DRAWING NUMBER: 13424		REVISION: A	
DRAWING ARCHIVE LOCATION: <a href="http://davincl.as.arizona.edu/ccad/default.html">http://davincl.as.arizona.edu/ccad/default.html</a>		SHEET 3 OF 6			