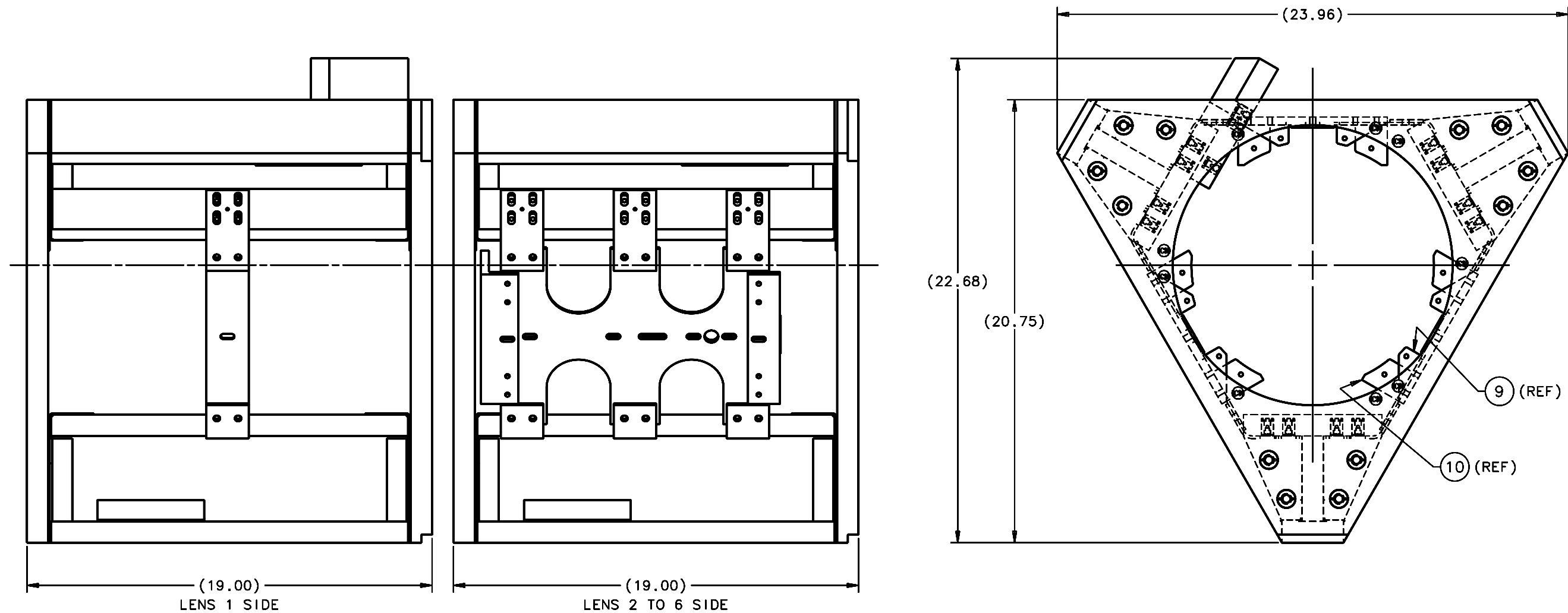


REVISIONS				
LTR	DESCRIPTION	DATE	REVISED BY	APPROVED
A	INITIAL RELEASE	3/10/06	R. NAGY	J. BECHTOLD
B	DRAWING LOG BOOK NUMBERING ERROR: ITEM 9,10,11,12,13,14 WAS 16155,16156,16157,16162,16163,16164 RESPECTIVELY (SHT 1 ONLY)	5/16/06	R. NAGY	R. WARNER



DETAIL A
(SHT 1)
SCALE 3:8

DO NOT SCALE DRAWING INTERPRET DIMENSIONS AND TOLERANCES IN ACCORDANCE WITH ASME Y14.5M-94	THIS DRAWING CREATED IN:			Steward Observatory, University of Arizona 933 N. Cherry Avenue, Tucson, AZ 85721 (520)621-7659			
	ACAD <input type="checkbox"/>	MECH <input type="checkbox"/>	IDEAS <input checked="" type="checkbox"/>	DESIGNED BY: D. DEAN	DATE: 12/5/05	CATEGORY: MMT	
TOLERANCES UNLESS OTHERWISE SPECIFIED LINEAR ANGULAR .1 .1 .2 .2 .3 .3 DIAMETRICAL SEE SPEC S-002				DRAWN BY: R. NAGY	1/27/06	PROJECT: MAESTRO	
				CHECKED BY: W. DAVISON	3/10/06	TITLE: LENS CAN SUPPORT ASSEMBLY	
				APPROVED: J. BECHTOLD	3/10/06		
MATERIAL -	TBD	MMT-MAESTRO		APPROVED:		PLOT SIZE SCALE: D -	DRAWING NUMBER: 13424
FINISH -	NEXT ASSY	USED ON		APPROVED:			REVISION: B
	ASSEMBLY APPLICATION			CURRENT TIME/DATE/FILE LOCATION:			SHEET 2 OF 6
	DRAWING ARCHIVE LOCATION: http://dovinci.as.arizona.edu/ccad/default.html						