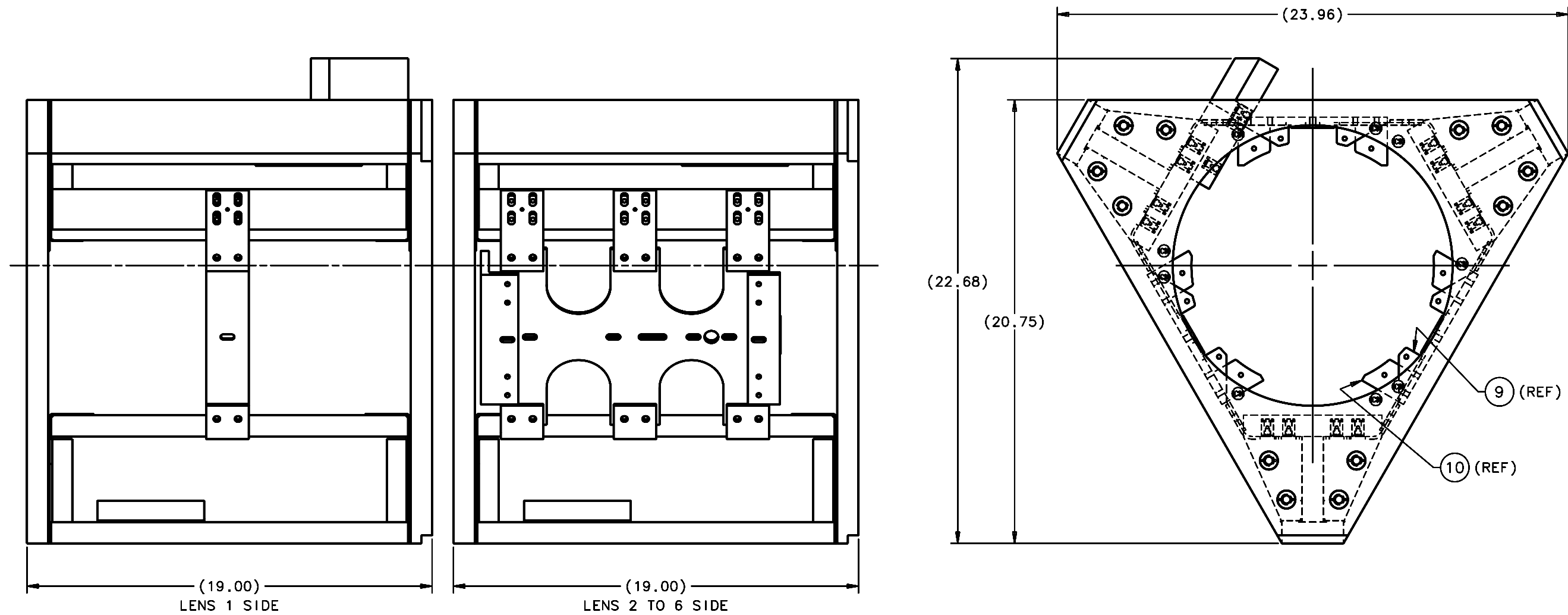


REVISIONS				
LTR	DESCRIPTION	DATE	REVISED BY	APPROVED
A	INITIAL RELEASE	3/10/06	R. NAGY	J. BECHTOLD



DETAIL A
(SHT 1)
SCALE 3:8

DO NOT SCALE DRAWING INTERPRET DIMENSIONS AND TOLERANCES IN ACCORDANCE WITH ASME Y14.5M-94	THIS DRAWING CREATED IN:			Steward Observatory, University of Arizona 933 N. Cherry Avenue, Tucson, AZ 85721 (520)621-7659			
	ACAD <input type="checkbox"/>	MECH <input type="checkbox"/>	IDEAS <input checked="" type="checkbox"/>	DESIGNED BY: D. DEAN	DATE: 12/5/05	CATEGORY: MMT	
TOLERANCES UNLESS OTHERWISE SPECIFIED LINEAR ANGULAR .1 .1 .05 .05 .02 .02 DIAMETRICAL SEE SPEC S-002				DRAWN BY: R. NAGY	1/27/06	PROJECT: MAESTRO	
				CHECKED BY: W. DAVISON	3/10/06	TITLE: LENS CAN SUPPORT ASSEMBLY	
				APPROVED: J. BECHTOLD	3/10/06		
MATERIAL	TBD	MMT-MAESTRO		APPROVED:		PLOT SIZE SCALE:	DRAWING NUMBER:
	NEXT ASSY	USED ON		APPROVED:		D -	13424
FINISH	ASSEMBLY APPLICATION		CURRENT TIME/DATE/FILE LOCATION:				REVISION:
			DRAWING ARCHIVE LOCATION: http://dovinci.as.arizona.edu/ccod/default.html				A