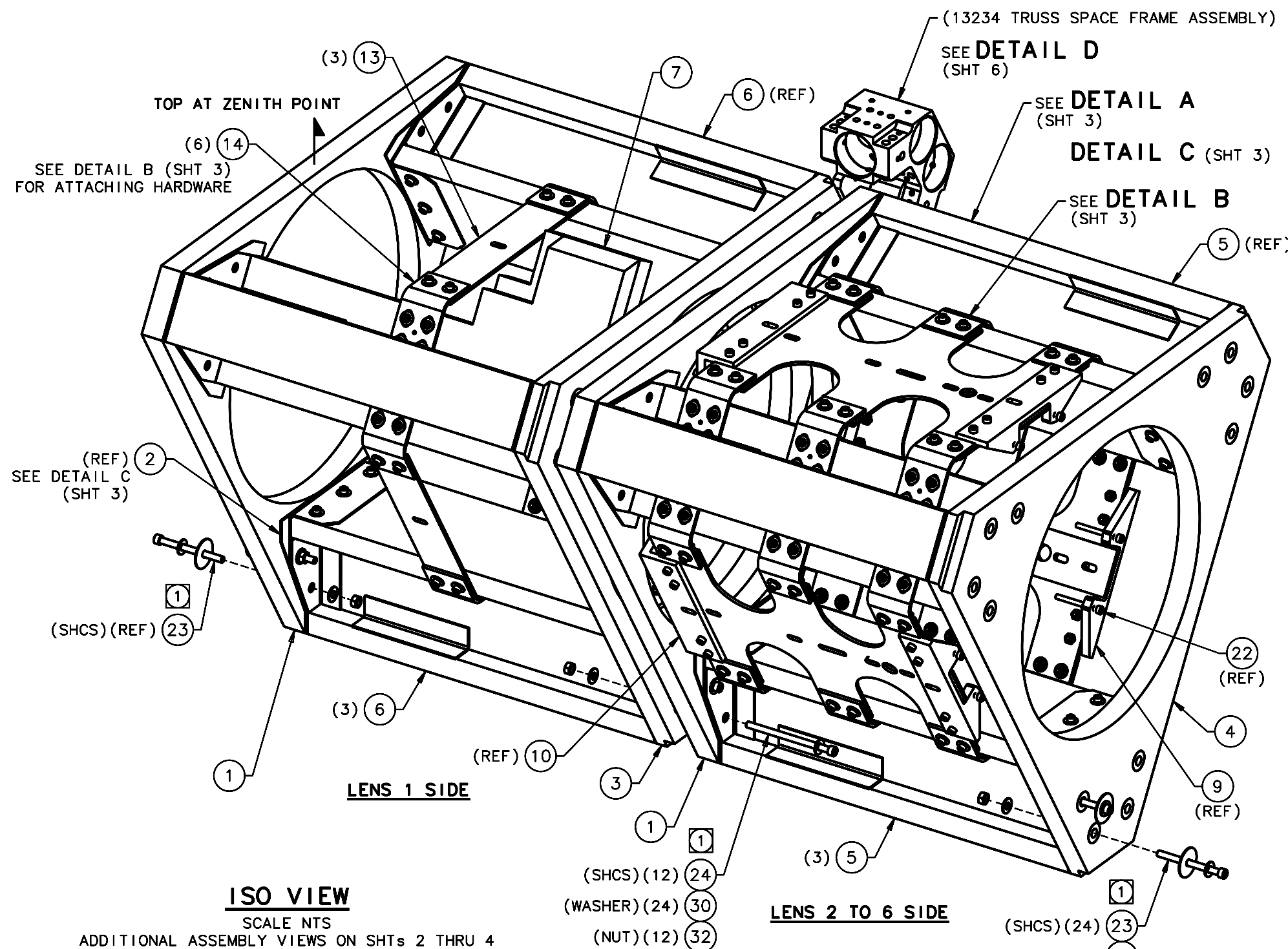


REVISIONS				
LTR	DESCRIPTION	DATE	REVISED BY	APPROVED
A	INITIAL RELEASE	3/10/06	R. NAGY	J. BECHTOLD



QTY PER ASSY	-3	-2	-1	PART NUMBER	PART DESCRIPTION	MANUFACTURER or MAT'L SPEC	ITEM NO.
				72	90760A411	NUT, HEX, MACHINE SCREW, 10-32 x 7/64 H x 5/16 W, STL, Zn PLT	McMASTER-CARR 33
				36	90480A029	NUT, HEX, MACHINE SCREW, 1/4-20 x 3/16 H x 7/16 W, STL, Zn PLT	McMASTER-CARR 32
				24	91090A109	WASHER, FLAT, FENDER, 1/4 x 1-1/4 OD x .042-.052, STL, Zn PLT	McMASTER-CARR 31
				72	90126A029	WASHER, FLAT, 1/4 x 5/8 OD x .051 MIN, STL, Zn PLT	McMASTER-CARR 30
							29
				192	90108A411	WASHER, FLAT, #10 x 9/16 OD x .036-.065, STL, Zn PLT	McMASTER-CARR 28
							27
				27	94744A224	WASHER, FLAT, #8 x 1/2 OD x .036-.071, STL, Zn PLT	McMASTER-CARR 26
				96	90128A942	SHCS, 10-32 x 1/2 LG, STL, Zn PLT	McMASTER-CARR 25
				12	92196A558	SHCS, 1/4-20 x 4 LG, 18-8 SS	McMASTER-CARR 24
				24	92196A554	SHCS, 1/4-20 x 3 LG, 18-8 SS	McMASTER-CARR 23
				6	90128A955	SHCS, 10-32 x 2 LG, STL, Zn PLT	McMASTER-CARR 22
				6	90128A946	SHCS, 10-32 x 7/8 LG, STL, Zn PLT	McMASTER-CARR 21
				72	90128A944	SHCS, 10-32 x 5/8 LG, STL, Zn PLT	McMASTER-CARR 20
				3	92196A204	SHCS, 8-32 x 1 3/4 LG, 18-8 SS	McMASTER-CARR 19
				3	90128A199	SHCS, 8-32 x 1 LG, STL, Zn PLT	McMASTER-CARR 18
				21	90128A197	SHCS, 8-32 x 3/4 LG, STL, Zn PLT	McMASTER-CARR 17
				3	16177	LENS CAN BRIDGE ADJUSTMENT PLATE	16
				3	16176	LENS CAN 6 SUPPORT BLOCK	15
				24	16164	LENS CAN MOUNT SIDE STRINGER	14
				3	16163	LENS 1 SIDE LENS CAN MOUNT	13
				3	16162	PRISM SIDE LENS CAN MOUNT	12
				3	16157	LENS 1 SIDE LENS CAN SUPPORT SHIM	11
				3	16156	PRISM SIDE LENS CAN ADJUSTMENT BRACKET	10
				3	16155	PRISM SIDE LENS CAN ADJUSTMENT BRACKET	9
							8
				1	14858	LENS 1 SIDE LENS CAN & FOCUS SUPPORT TEE (W/INSERTS)	7
				2	14855	LENS 1 SIDE LENS CAN SUPPORT TEE (W/INSERTS)	6
				3	14852	PRISM SIDE LENS CAN SUPPORT TEE (W/INSERTS)	5
				1	13785	PRISM CELL BULKHEAD (W/INSERTS)	4
				1	13456	LENS CAN BULKHEAD W/NOTCHES (W/INSERTS)	3
				12	13452	TEE END PLATE SHIM	2
				2	13450	LENS CAN BULKHEAD W/O NOTCHES (W/INSERTS)	1

NOTES:
 1 TRUSS SPACE FRAME ATTACHING HARDWARE; SEE DETAIL D (SHT 5).

DO NOT SCALE DRAWING INTERPRET DIMENSIONS AND TOLERANCES IN ACCORDANCE WITH ASME Y14.5M-94		THIS DRAWING CREATED IN: ACAD <input type="checkbox"/> MECH <input type="checkbox"/> IDEAS <input checked="" type="checkbox"/>		Steward Observatory, University of Arizona 933 N. Cherry Avenue, Tucson, AZ 85721 (520)621-7659	
TOLERANCES UNLESS OTHERWISE SPECIFIED LINEAR .1 - NA .05 - NA .02 - NA ANGULAR .05 - NA DIA METRICAL SEE SPEC S-002		DESIGNED BY: D. DEAN	DATE: 12/5/05	CATEGORY: MMT	
MATERIAL -		DRAWN BY: R. NAGY	1/27/06	PROJECT: MAESTRO	
FINISH -		CHECKED BY: W. DAVISON	3/10/06	TITLE: LENS CAN SUPPORT ASSEMBLY	
ASSEMBLY APPLICATION		APPROVED: J. BECHTOLD	3/10/06	PLOT SIZE SCALE: D -	
CURRENT TIME/DATE/FILE LOCATION:		DRAWING NUMBER: 13424		REVISION: A	
DRAWING ARCHIVE LOCATION: http://devinci.as.arizona.edu/cccd/default.html		SHEET 1 OF 6			