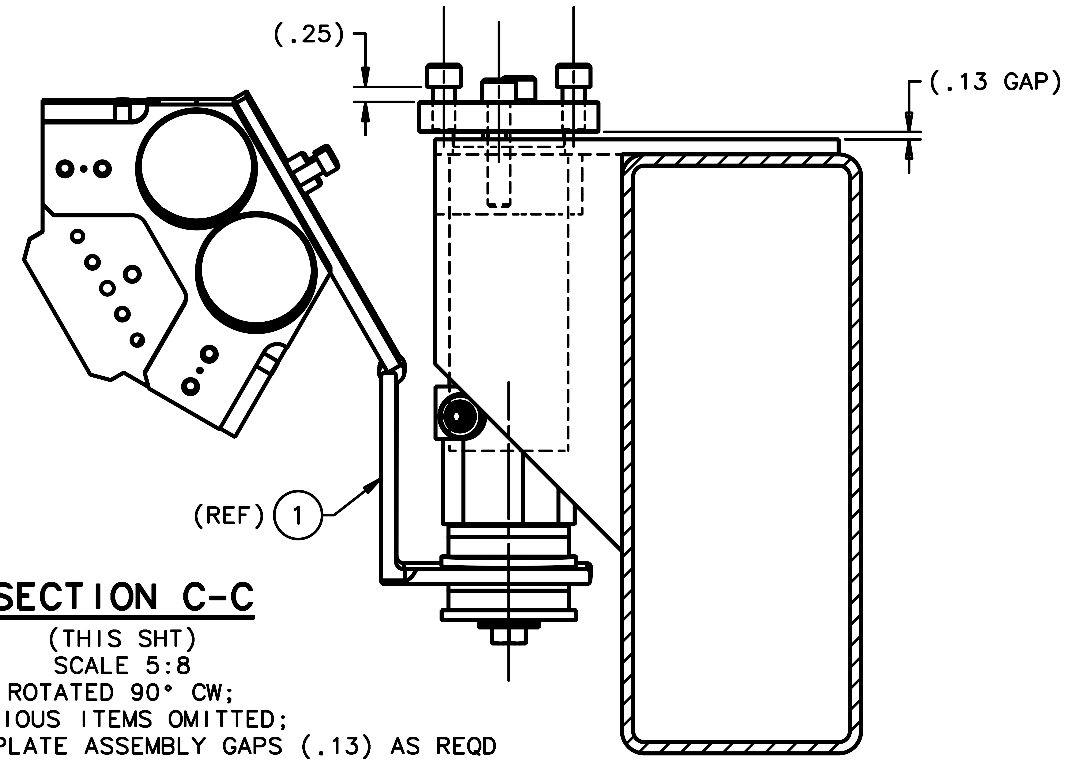
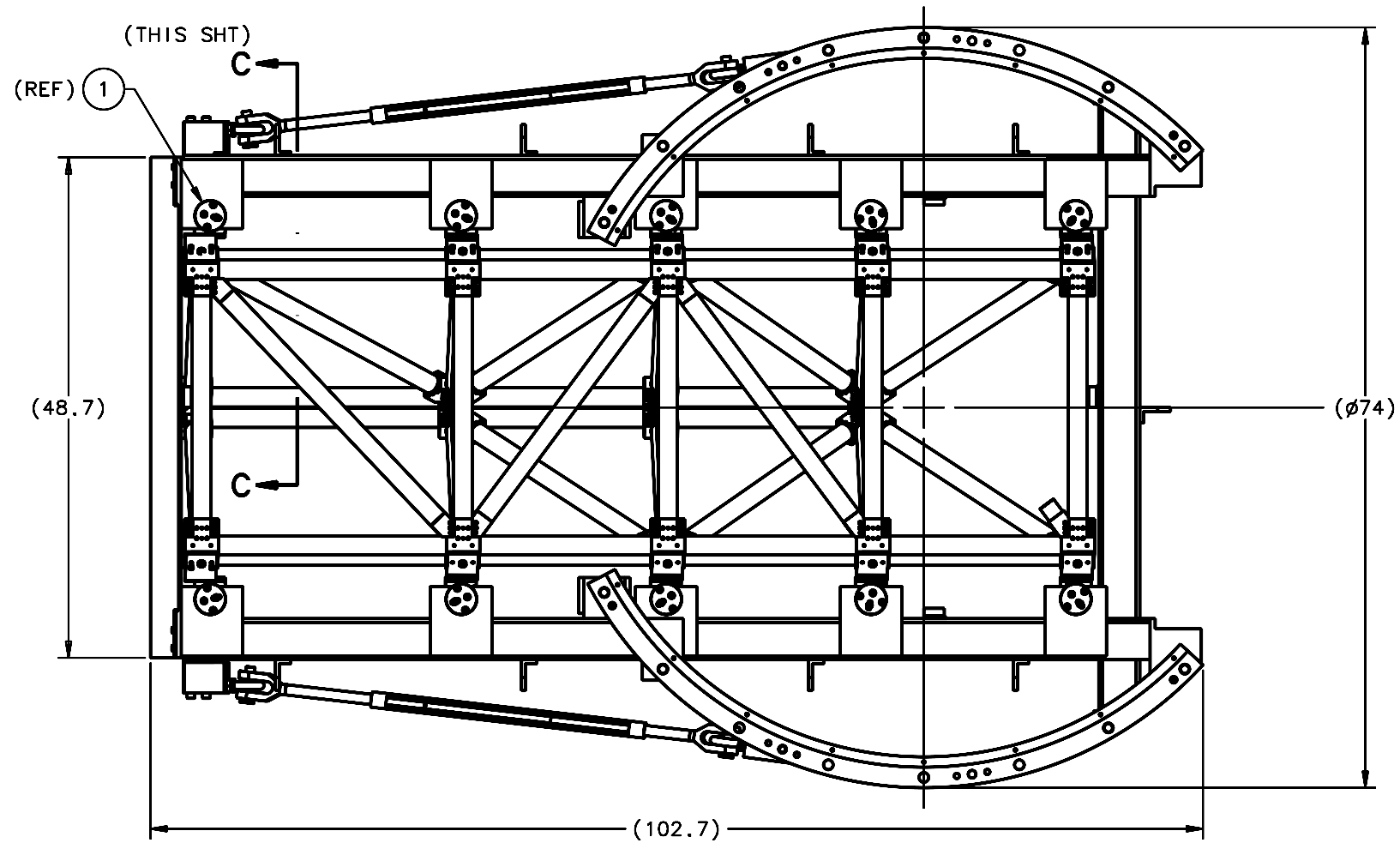
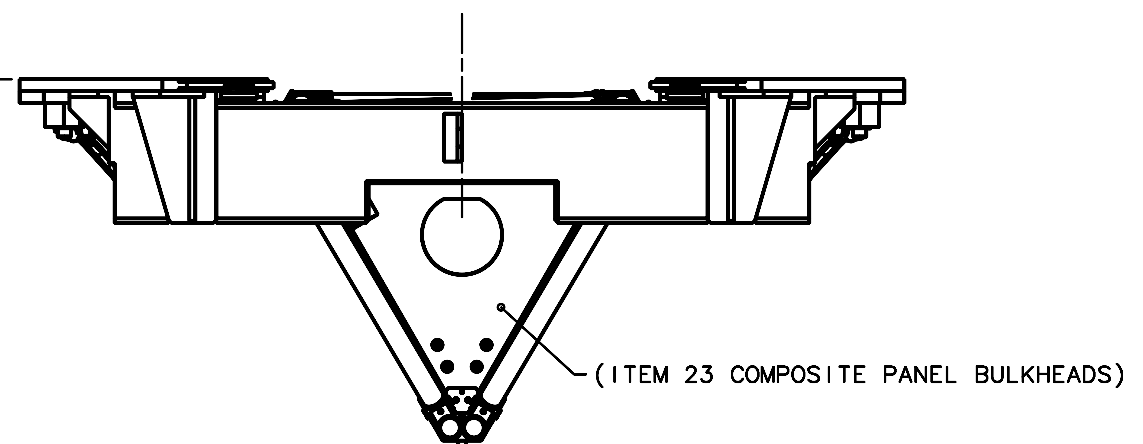
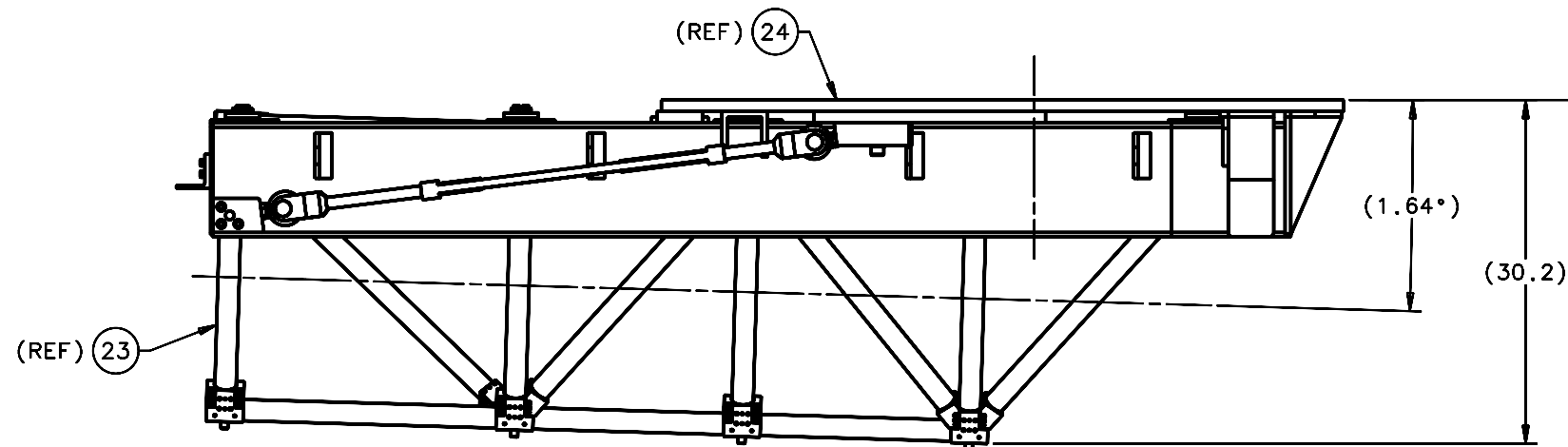


REVISIONS				
LTR	DESCRIPTION	DATE	REVISED BY	APPROVED
A	INITIAL RELEASE	1/6/06	R. NAGY	J. BECHTOLD



SECTION C-C
 (THIS SHT)
 SCALE 5:8
 ROTATED 90° CW;
 VARIOUS ITEMS OMITTED;
 ADJUST ALL FLEX PLATE ASSEMBLY GAPS (.13) AS REQD



SCALE 1:8

DO NOT SCALE DRAWING INTERPRET DIMENSIONS AND TOLERANCES IN ACCORDANCE WITH ASME Y14.5M-94	THIS DRAWING CREATED IN:			Steward Observatory, University of Arizona 933 N. Cherry Avenue, Tucson, AZ 85721 (520)621-7659		
	ACAD <input type="checkbox"/>	MECH <input type="checkbox"/>	IDEAS <input checked="" type="checkbox"/>	DESIGNED BY: D. DEAN	DATE: 5/15/05	CATEGORY: MMT
TOLERANCES UNLESS OTHERWISE SPECIFIED LINEAR ANGULAR .1 .1 .05 .05 .02 .02 DIAMETRICAL SEE SPEC S-002	TBD	MMT-MAESTRO	DRAWN BY: D. DEAN/R. NAGY	1/6/06	PROJECT: MAESTRO	
			CHECKED BY: R. NAGY	1/6/06	TITLE: TRUSS SPACE FRAME TO WELDMENT HARDWARE ASSEMBLY	
MATERIAL			APPROVED: J. BECHTOLD	1/6/06		
FINISH			APPROVED:			
	NEXT ASSY	USED ON	APPROVED:			
	ASSEMBLY APPLICATION		CURRENT TIME/DATE/FILE LOCATION:			
			DRAWING ARCHIVE LOCATION: http://dovinci.as.arizona.edu/ccad/default.html			
			PLOT SIZE SCALE: D -	DRAWING NUMBER: 16070	REVISION: A	
					SHEET 4 OF 4	