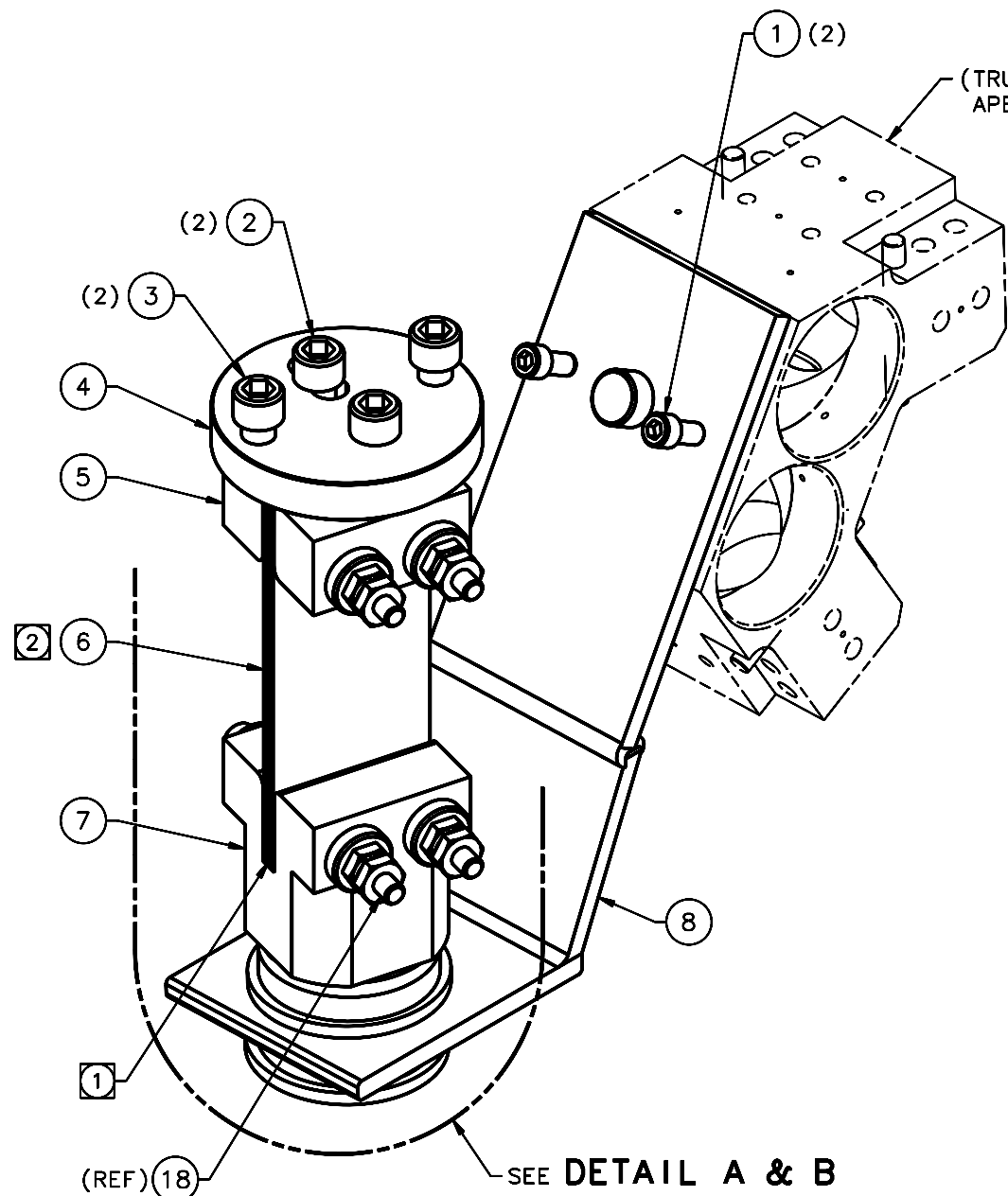
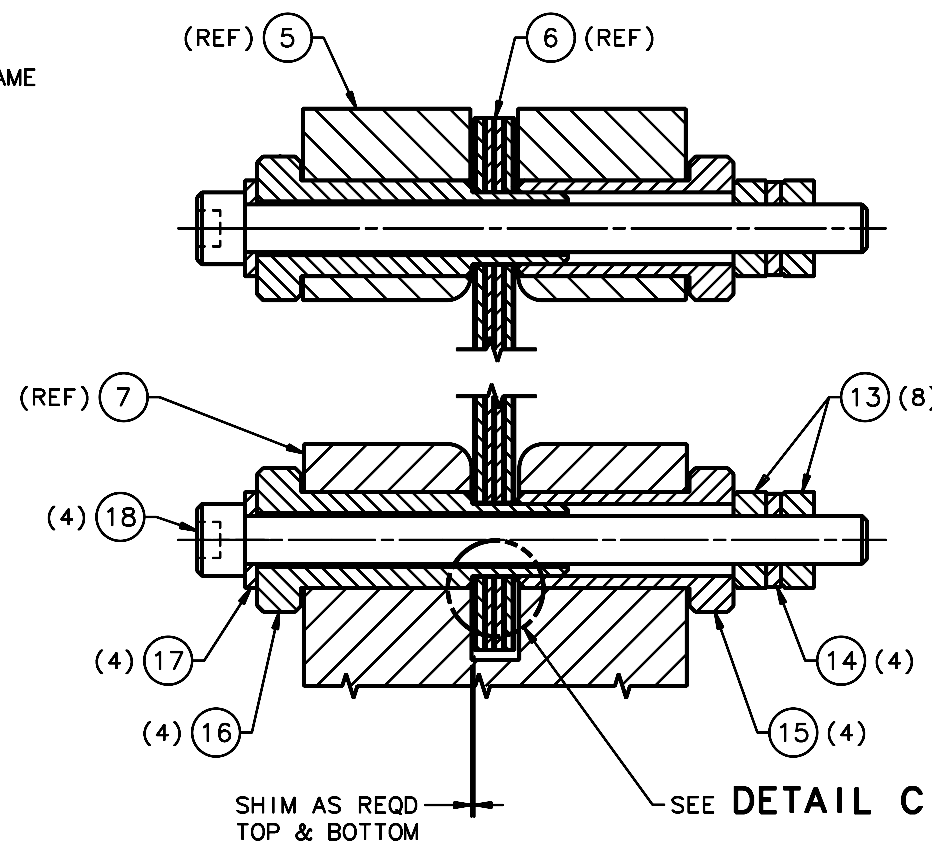


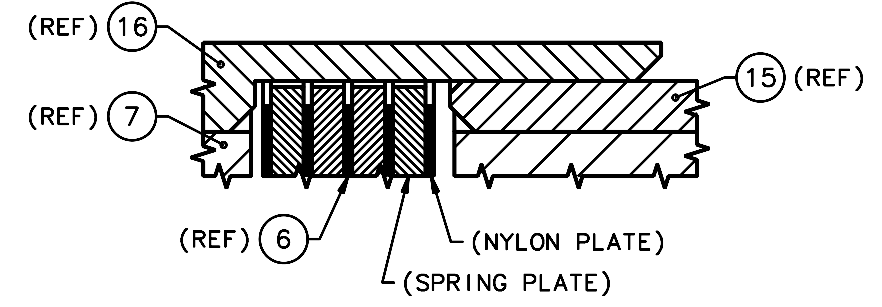
| REVISIONS |                 |         |            |             |
|-----------|-----------------|---------|------------|-------------|
| LTR       | DESCRIPTION     | DATE    | REVISED BY | APPROVED    |
| A         | INITIAL RELEASE | 12/2/05 | R. NAGY    | J. BECHTOLD |



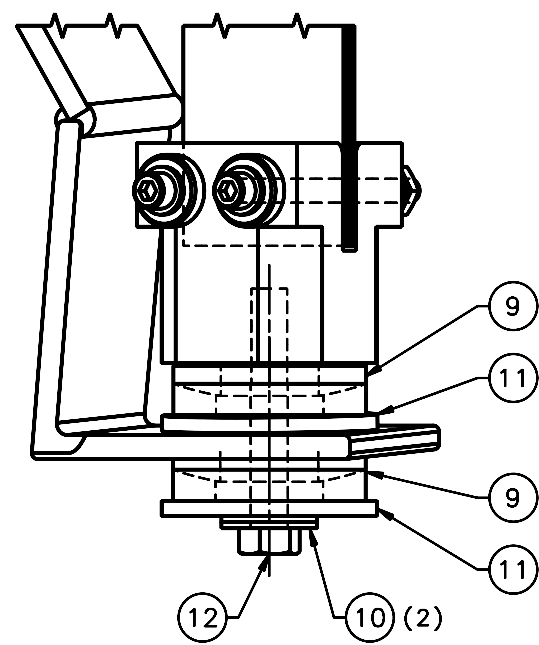
**ISO VIEW**  
SCALE NTS



**DETAIL B**  
SCALE 2:1  
ITEMS 5, 6, & 7 ATTACHMENT



**DETAIL C**  
SCALE 8 1/2:1



**DETAIL A**  
SCALE NTS  
ROTATED

- NOTES:
- ITEM 6 SPRING PLATE "ORIENTATION CHAMFERS" (PER DWG NO. 16068) IN BUNDLED ASSEMBLY CAN BE TO ANY CORNER, BUT THEY MUST BE IN SAME POSITION TO EACH OTHER.
  - FACE ITEM 6 SPRING PACK TO OPTICAL TELESCOPE CENTER LINE. SEE DWG NO. 16070 FOR "MAPPING."
  - QTY REQD: 1.

| QTY PER ASSY | PART NUMBER | PART DESCRIPTION  | MANUFACTURER or MAT'L SPEC | ITEM NO. |
|--------------|-------------|---|----------------------------|----------|
| 4            | 92196A555   | SOCKET HEAD CAP SCREW, 1/4-20 UNC x 3-1/4" LG, 18-8 SS      | McMASTER-CARR              | 18       |
| 4            | 91090A105   | 1/4" FLAT WASHER, 1/2" OD x .042-.052 THK, STEEL, Zn PLT    | McMASTER-CARR              | 17       |
| 4            | 16066       | FLEX BLOCK PIN MALE   |                            | 16       |
| 4            | 16065       | FLEX BLOCK PIN FEMALE                                       |                            | 15       |
| 4            | 91102A750   | 1/4" LOCK WASHER, .487 OD x .062 THK, STL, Zn PLT           | McMASTER-CARR              | 14       |
| 8            | 91078A029   | HEX JAM NUT, 1/4-20 UNC x 5/32" H, GR 2 STL, Zn PLT         | McMASTER-CARR              | 13       |
| 1            | 91236A634   | HEX HEAD BOLT, 3/8-16 UNC x 2-1/2", STL, Zn PLT             | McMASTER-CARR              | 12       |
| 2            | 90108A037   | USS 7/8 FLAT WASHER, 2-1/4" OD x .136-.192 THK, STL, Zn PLT | McMASTER-CARR              | 11       |
| 2            | 90108A417   | USS 3/8 FLAT WASHER, 1" OD x .064-.104 THK, STL, Zn PLT     | McMASTER-CARR              | 10       |
| 2            | 91944A032   | SPHERICAL WASHER SET, 1" SCREW x 2" OD x 1/2" THK, 18-8 SS  | McMASTER-CARR              | 9        |
| 1            | 16062       | APEX FLEX CONNECTION TIE PLATE TYPE 1 RH                    |                            | 8        |
| 1            | 13303       | FLEX CONNECTION BLOCK TYPE 1                                |                            | 7        |
| 1            | 16060       | SPRING PACK ASSEMBLY  |                            | 6        |
| 1            | 16069       | APEX TOP DISK BLOCK   |                            | 5        |
| 1            | 16064       | FLEX PLATE BLOCK CAP  |                            | 4        |
| 2            | 91296A357   | SOCKET CAP SCREW, 3/8-24 UNF x 3/4" LG, 18-8 SS             | McMASTER-CARR              | 3        |
| 2            | 92196A363   | SOCKET CAP SCREW, 3/8-24 UNF x 1-1/2" LG, 18-8 SS           | McMASTER-CARR              | 2        |
| 2            | 90128A243   | SOCKET CAP SCREW, 1/4-20 UNC x 5/8" LG, STL, Zn PLT         | McMASTER-CARR              | 1        |

|   |  |   |                |  |  |
|---|--|---|----------------|--|--|
| DO NOT SCALE DRAWING<br>INTERPRET DIMENSIONS AND TOLERANCES IN ACCORDANCE WITH ASME Y14.5M-94           |  | THIS DRAWING CREATED IN:<br><input type="checkbox"/> ACAD <input type="checkbox"/> MECH <input checked="" type="checkbox"/> IDEAS       |                | Steward Observatory, University of Arizona<br>933 N. Cherry Avenue, Tucson, AZ 85721 (520)621-7659 |  |
| TOLERANCES UNLESS OTHERWISE SPECIFIED<br>LINEAR .1 .XX .XXX<br>ANGULAR NA<br>DIAMETRICAL SEE SPEC S-002 |  | DESIGNED BY: D. DEAN  | DATE: 10/17/05 | CATEGORY: MMT  |  |
| MATERIAL: -   |  | DRAWN BY: D. DEAN/R. NAGY   | 11/30/05       | PROJECT: MAESTRO   |  |
| FINISH: -   |  | CHECKED BY: R. NAGY   | 11/30/05       | TITLE: TRUSS SPACE FRAME TO WELDMENT FLEX PLATE ASSEMBLY TYPE 1 RH                                 |  |
| ASSEMBLY APPLICATION  |  | APPROVED BY: J. BECHTOLD  | 12/2/05        | PLOT SIZE SCALE: D -   |  |
| NEXT ASSY USED ON   |  | APPROVED:   |                | DRAWING NUMBER: 16059  |  |
| CURRENT TIME/DATE/FILE LOCATION:  |  | DRAWING ARCHIVE LOCATION: <a href="http://dovinci.as.arizona.edu/ocad/default.html">http://dovinci.as.arizona.edu/ocad/default.html</a> |                | REVISION: A  |  |