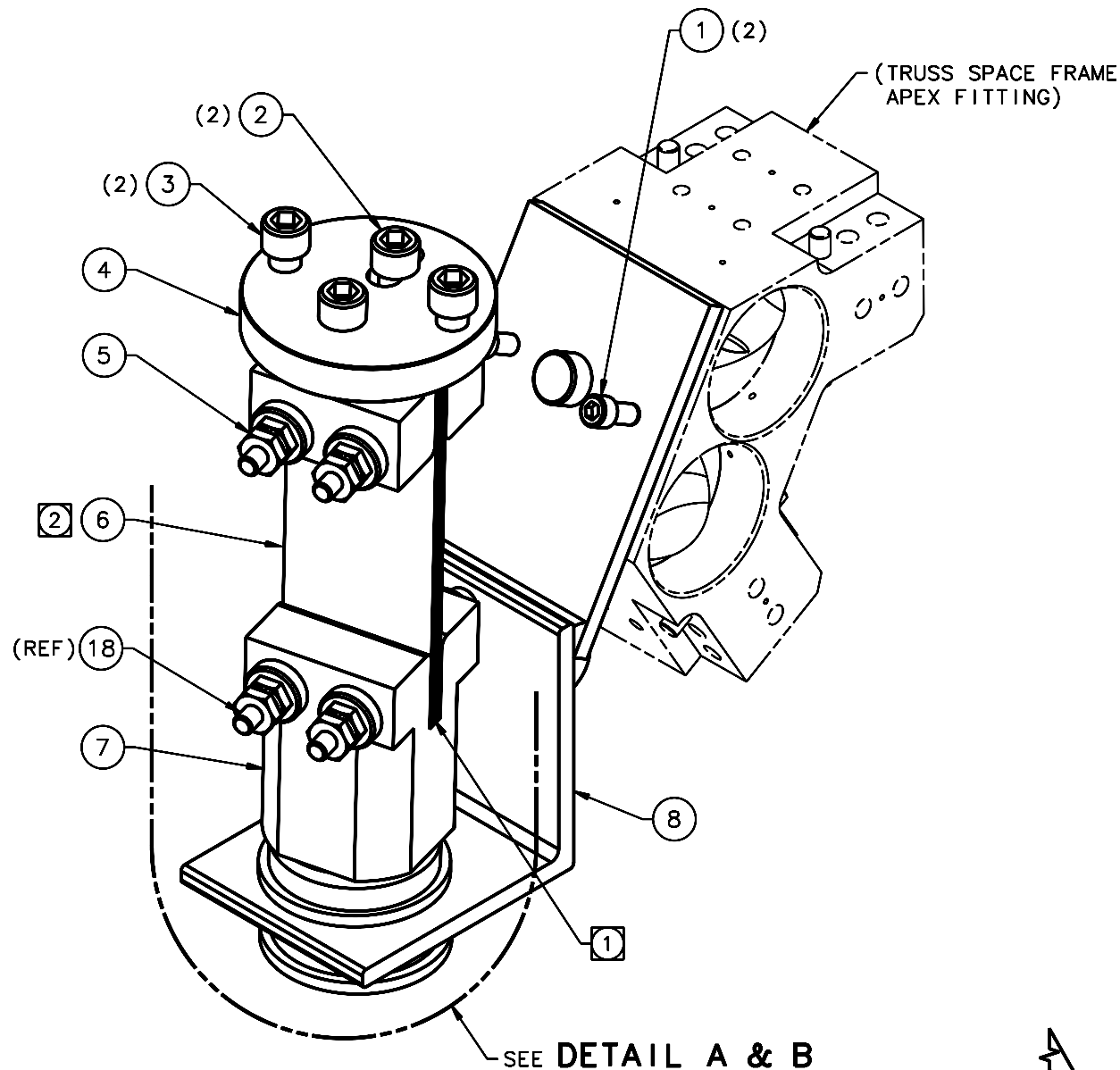
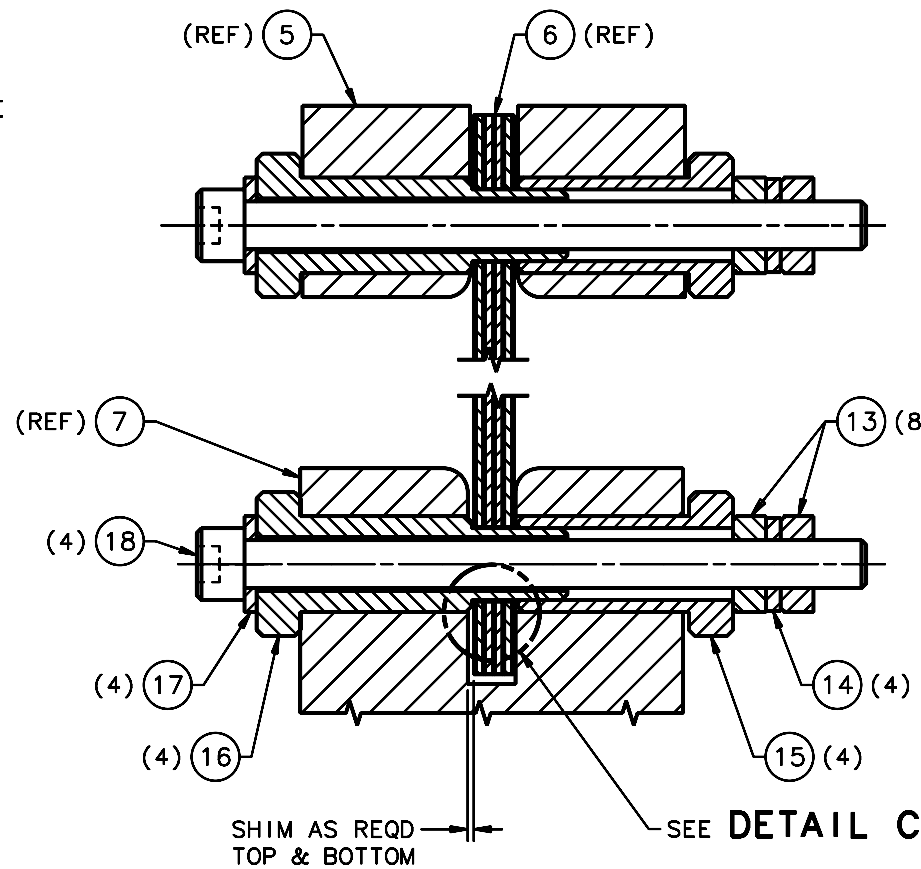


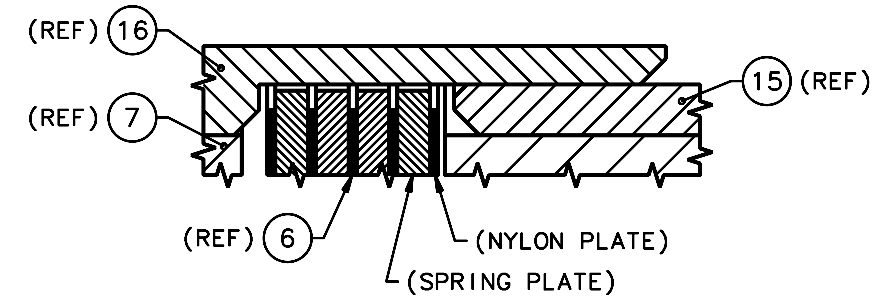
REVISIONS				
LTR	DESCRIPTION	DATE	REVISED BY	APPROVED
A	INITIAL RELEASE	12/2/05	R. NAGY	J. BECHTOLD



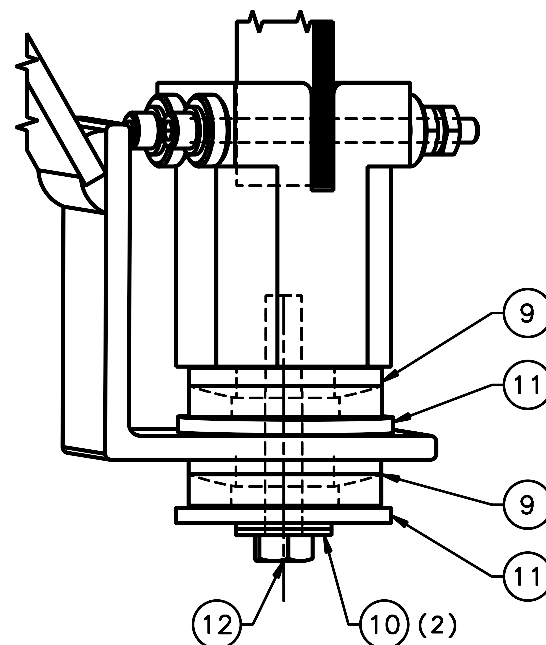
ISO VIEW
SCALE NTS



DETAIL B
SCALE 2:1
ITEMS 5, 6, & 7 ATTACHMENT



DETAIL C
SCALE 8 1/2:1



DETAIL A
SCALE 1:1
ROTATED

- NOTES:
- ITEM 6 SPRING PLATE "ORIENTATION CHAMFERS" (PER DWG NO. 16068) IN BUNDLED ASSEMBLY CAN BE TO ANY CORNER, BUT THEY MUST BE IN SAME POSITION TO EACH OTHER.
 - FACE ITEM 6 SPRING PACK TO OPTICAL TELESCOPE CENTER LINE. SEE DWG NO. 16070 FOR "MAPPING."
 - QTY REQD: 2.

QTY PER ASSY	PART NUMBER	PART DESCRIPTION	MANUFACTURER or MAT'L SPEC	ITEM NO.
4	92196A555	SOCKET HEAD CAP SCREW, 1/4-20 UNC x 3-1/4" LG, 18-8 SS	McMASTER-CARR	18
4	91090A105	1/4" FLAT WASHER, 1/2" OD x .042-.052 THK, STEEL, Zn PLT	McMASTER-CARR	17
4	16066	FLEX BLOCK PIN MALE		16
4	16065	FLEX BLOCK PIN FEMALE		15
4	91102A750	1/4" LOCK WASHER, .487 OD x .062 THK, STL, Zn PLT	McMASTER-CARR	14
8	91078A029	HEX JAM NUT, 1/4-20 UNC x 5/32" H, GR 2 STL, Zn PLT	McMASTER-CARR	13
1	91236A634	HEX HEAD BOLT, 3/8-16 UNC x 2-1/2", STL, Zn PLT	McMASTER-CARR	12
2	90108A037	USS 7/8 FLAT WASHER, 2-1/4" OD x .136-.192 THK, STL, Zn PLT	McMASTER-CARR	11
2	90108A417	USS 3/8 FLAT WASHER, 1" OD x .064-.104 THK, STL, Zn PLT	McMASTER-CARR	10
2	91944A032	SPHERICAL WASHER SET, 1" SCREW x 2" OD x 1/2" THK, 18-8 SS	McMASTER-CARR	9
1	16061	APEX FLEX CONNECTION TIE PLATE TYPE 2		8
1	13309	FLEX CONNECTION BLOCK TYPE 4		7
1	16060	SPRING PACK ASSEMBLY		6
1	16069	APEX TOP DISK BLOCK		5
1	16064	FLEX PLATE BLOCK CAP		4
2	91296A357	SOCKET CAP SCREW, 3/8-24 UNF x 3/4" LG, 18-8 SS	McMASTER-CARR	3
2	92196A363	SOCKET CAP SCREW, 3/8-24 UNF x 1-1/2" LG, 18-8 SS	McMASTER-CARR	2
2	90128A243	SOCKET CAP SCREW, 1/4-20 UNC x 5/8" LG, STL, Zn PLT	McMASTER-CARR	1

LIST OF MATERIALS

DO NOT SCALE DRAWING		THIS DRAWING CREATED IN:		Steward Observatory, University of Arizona	
INTERPRET DIMENSIONS AND TOLERANCES IN ACCORDANCE WITH ASME Y14.5M-94		ACAD <input type="checkbox"/>	MECH <input type="checkbox"/>	IDEAS <input checked="" type="checkbox"/>	933 N. Cherry Avenue, Tucson, AZ 85721 (520)621-7659
TOLERANCES UNLESS OTHERWISE SPECIFIED		DESIGNED BY: D. DEAN	DATE: 05/15/05	CATEGORY: MMT	
LINEAR	ANGULAR	DRAWN BY: D. DEAN/R. NAGY	11/30/05	PROJECT: MAESTRO	
.1 - NA	NA	CHECKED BY: R. NAGY	11/30/05	TITLE: TRUSS SPACE FRAME TO WELDMENT FLEX PLATE ASSEMBLY TYPE 4	
.XX - NA		APPROVED: J. BECHTOLD	12/2/05	PLOT SIZE SCALE: D -	
.XXX - NA		APPROVED:		DRAWING NUMBER: 16056	
DIAMETRICAL SEE SPEC S-002		APPROVED:		REVISION: A	
DIMENSIONS ARE IN INCHES / DIMENSIONS IN 1" ARE METRIC		APPROVED:		CURRENT TIME/DATE/FILE LOCATION:	
MATERIAL	16070 MMT-MAESTRO	APPROVED:		DRAWING ARCHIVE LOCATION: http://dovinci.as.arizona.edu/ocad/default.html	
	NEXT ASSY USED ON	APPROVED:		ASSEMBLY APPLICATION	
FINISH		CURRENT TIME/DATE/FILE LOCATION:			SHEET 1 OF 1