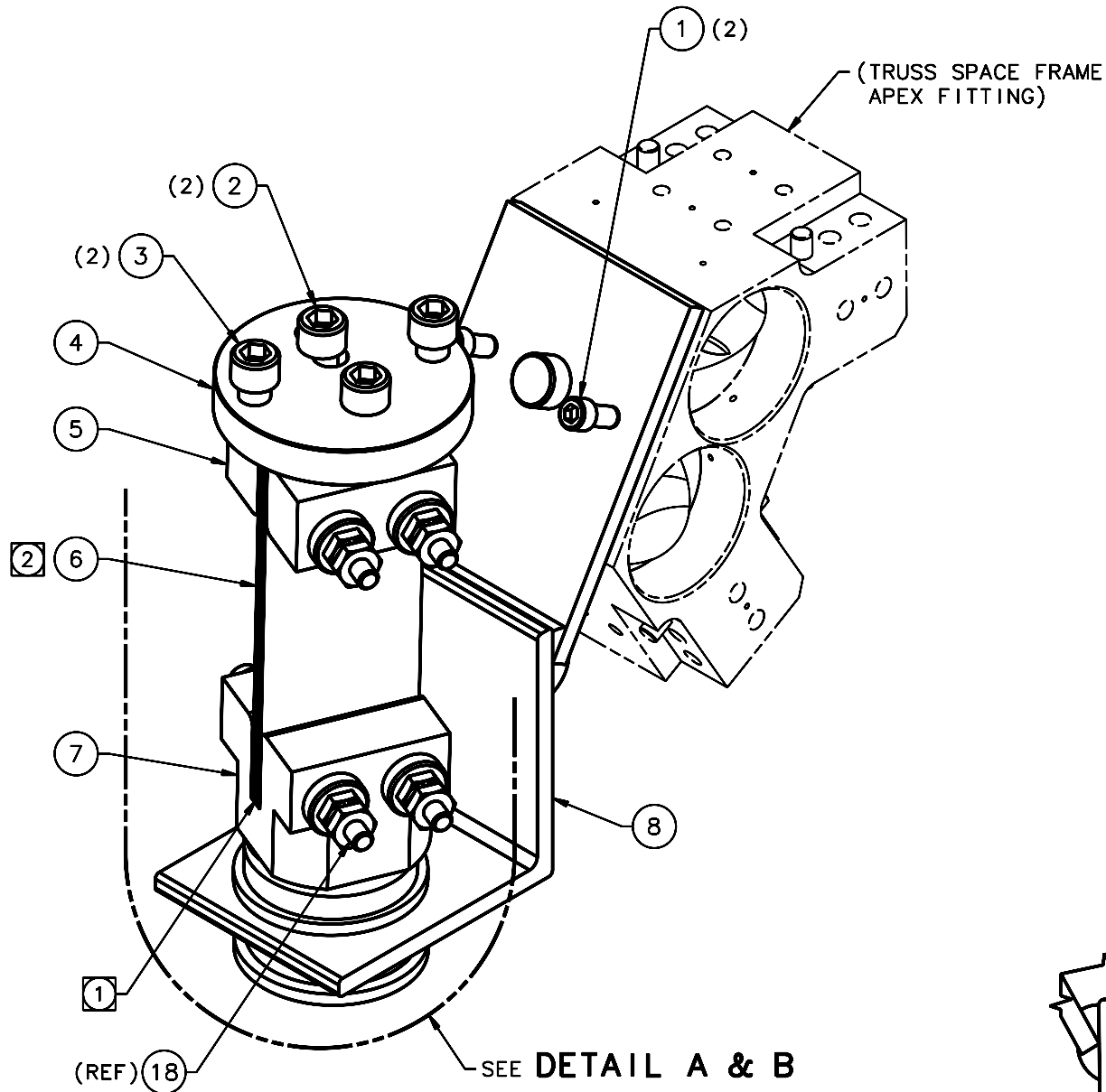
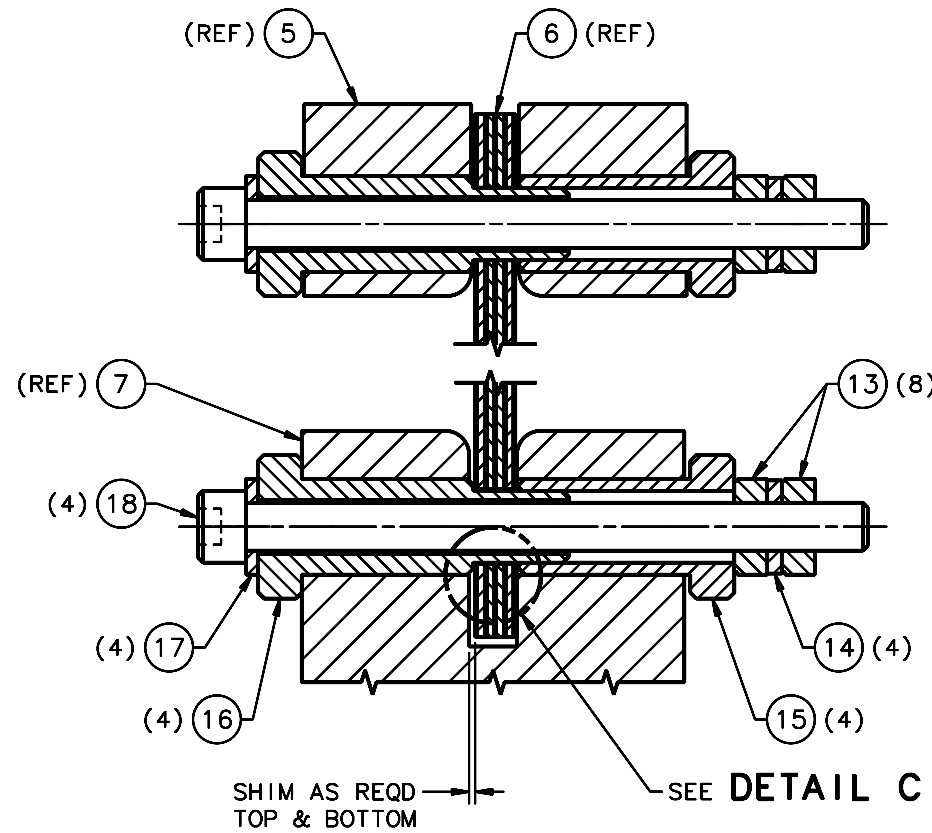


REVISIONS				
LTR	DESCRIPTION	DATE	REVISED BY	APPROVED
A	INITIAL RELEASE	12/2/05	R. NAGY	J. BECHTOLD



ISO VIEW
SCALE NTS

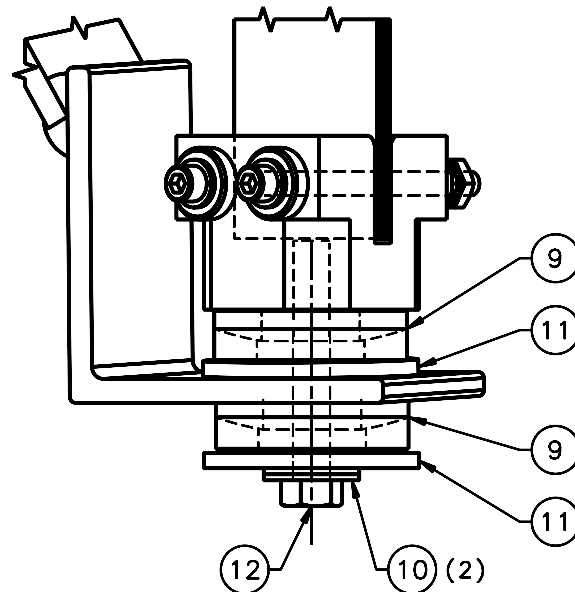


DETAIL B

SCALE 2:1
ITEMS 5, 6, & 7 ATTACHMENT

DETAIL C

SCALE 8 1/2:1



DETAIL A

SCALE 1:1
ROTATED

NOTES:

- 1 ITEM 6 SPRING PLATE "ORIENTATION CHAMFERS" (PER DWG NO. 16068) IN BUNDLED ASSEMBLY CAN BE TO ANY CORNER, BUT THEY MUST BE IN SAME POSITION TO EACH OTHER.
- 2 FACE ITEM 6 SPRING PACK TO OPTICAL TELESCOPE CENTER LINE. SEE DWG NO. 16070 FOR "MAPPING."
3. QTY REQD: 2.

QTY PER ASSY	-3	-2	-1	PART NUMBER	PART DESCRIPTION	MANUFACTURER or MAT'L SPEC	ITEM NO.
				4 92196A555	SOCKET HEAD CAP SCREW, 1/4-20 UNC x 3-1/4" LG, 18-8 SS	McMASTER-CARR	18
				4 91090A105	1/4" FLAT WASHER, 1/2" OD x .042-.052 THK, STEEL, Zn PLT	McMASTER-CARR	17
				4 16066	FLEX BLOCK PIN MALE		16
				4 16065	FLEX BLOCK PIN FEMALE		15
				4 91102A750	1/4" LOCK WASHER, .487 OD x .062 THK, STL, Zn PLT	McMASTER-CARR	14
				8 91078A029	HEX JAM NUT, 1/4-20 UNC x 5/32" H, GR 2 STL, Zn PLT	McMASTER-CARR	13
				1 91236A634	HEX HEAD BOLT, 3/8-16 UNC x 2-1/2", STL, Zn PLT	McMASTER-CARR	12
				2 90108A037	USS 7/8 FLAT WASHER, 2-1/4" OD x .136-.192 THK, STL, Zn PLT	McMASTER-CARR	11
				2 90108A417	USS 3/8 FLAT WASHER, 1" OD x .064-.104 THK, STL, Zn PLT	McMASTER-CARR	10
				2 91944A032	SPHERICAL WASHER SET, 1" SCREW x 2" OD x 1/2" THK, 18-8 SS	McMASTER-CARR	9
				1 16061	APEX FLEX CONNECTION TIE PLATE TYPE 2		8
				1 13305	FLEX CONNECTION BLOCK TYPE 2		7
				1 16060	SPRING PACK ASSEMBLY		6
				1 16069	APEX TOP DISK BLOCK		5
				1 16064	FLEX PLATE BLOCK CAP		4
				2 91296A357	SOCKET CAP SCREW, 3/8-24 UNF x 3/4" LG, 18-8 SS	McMASTER-CARR	3
				2 92196A363	SOCKET CAP SCREW, 3/8-24 UNF x 1-1/2" LG, 18-8 SS	McMASTER-CARR	2
				2 90128A243	SOCKET CAP SCREW, 1/4-20 UNC x 5/8" LG, STL, Zn PLT	McMASTER-CARR	1

LIST OF MATERIALS

DO NOT SCALE DRAWING INTERPRET DIMENSIONS AND TOLERANCES IN ACCORDANCE WITH ASME Y14.5M-94		THIS DRAWING CREATED IN: ACAD <input type="checkbox"/> MECH <input type="checkbox"/> IDEAS <input checked="" type="checkbox"/>		Steward Observatory, University of Arizona 933 N. Cherry Avenue, Tucson, AZ 85721 (520)621-7659	
TOLERANCES UNLESS OTHERWISE SPECIFIED LINEAR ANGLULAR .1 - NA .2 - NA .3 - NA DIAMETRICAL SEE SPEC S-002		DESIGNED BY: D. DEAN	DATE: 10/17/05	CATEGORY: MMT	
MATERIAL		DRAWN BY: D. DEAN/R. NAGY	11/30/05	PROJECT: MAESTRO	
FINISH		CHECKED BY: R. NAGY	11/30/05	TITLE: TRUSS SPACE FRAME TO WELDMENT FLEX PLATE ASSEMBLY TYPE 2	
NEXT ASSY USED ON		APPROVED: J. BECHTOLD	12/2/05	PLOT SIZE SCALE: D -	
ASSEMBLY APPLICATION		APPROVED:		DRAWING NUMBER: 16054	
CURRENT TIME/DATE/FILE LOCATION:		DRAWING ARCHIVE LOCATION: http://devinci.as.arizona.edu/ccad/default.html		REVISION: A	