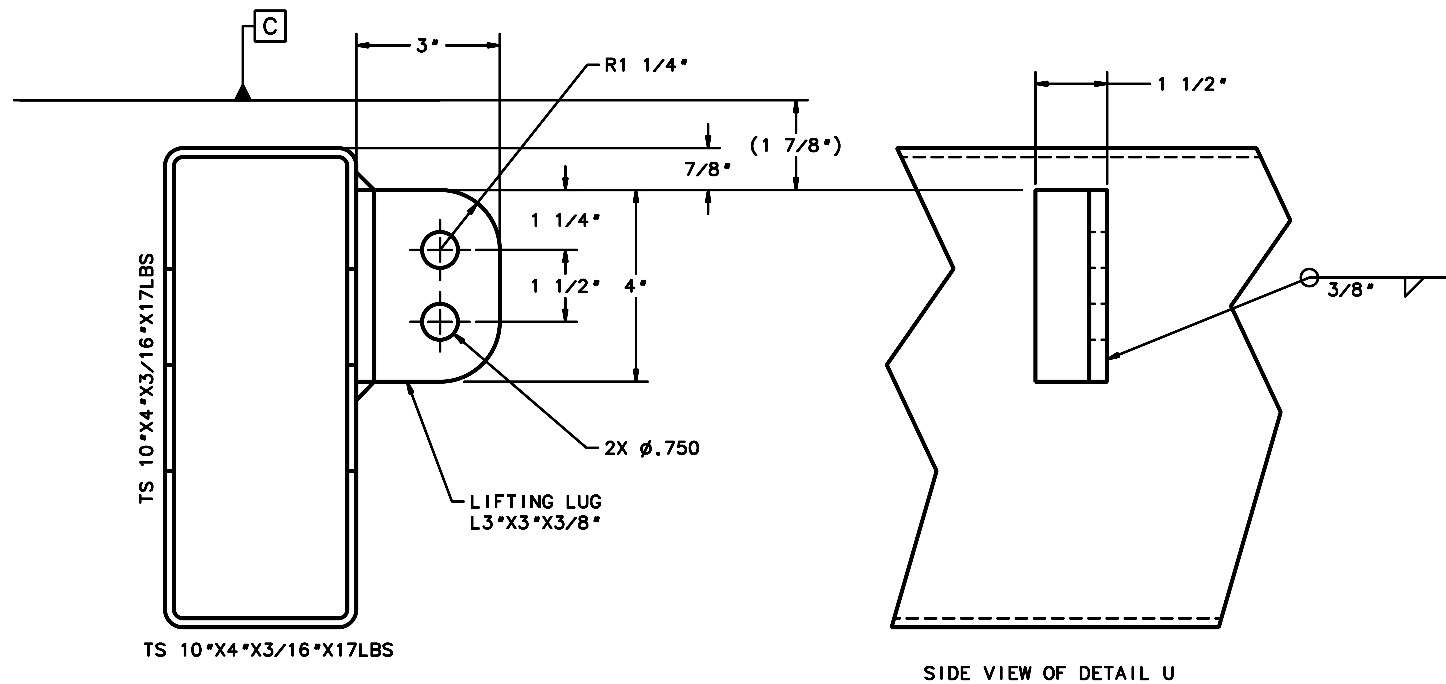
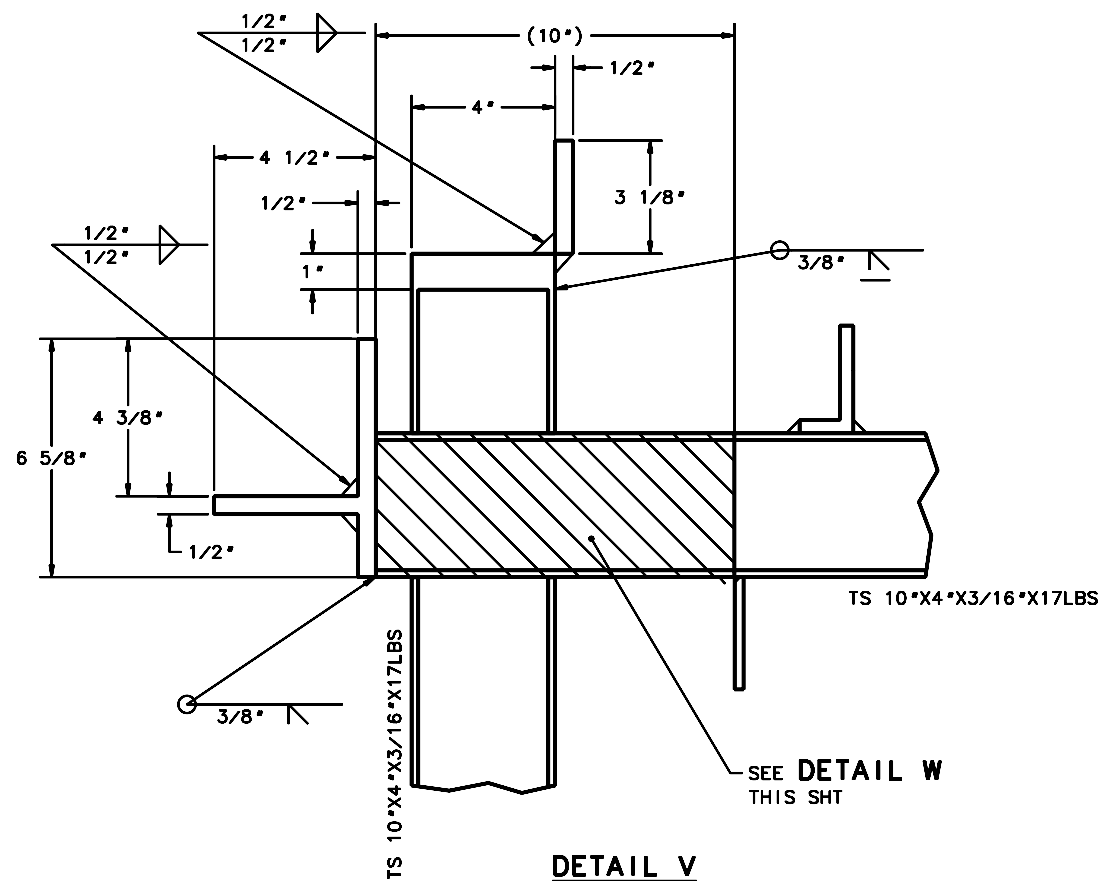


REVISIONS				
LTR	DESCRIPTION	DATE	REVISED BY	APPROVED
A	INITIAL RELEASE	4/20/05	R. NAGY	W. DAVISON



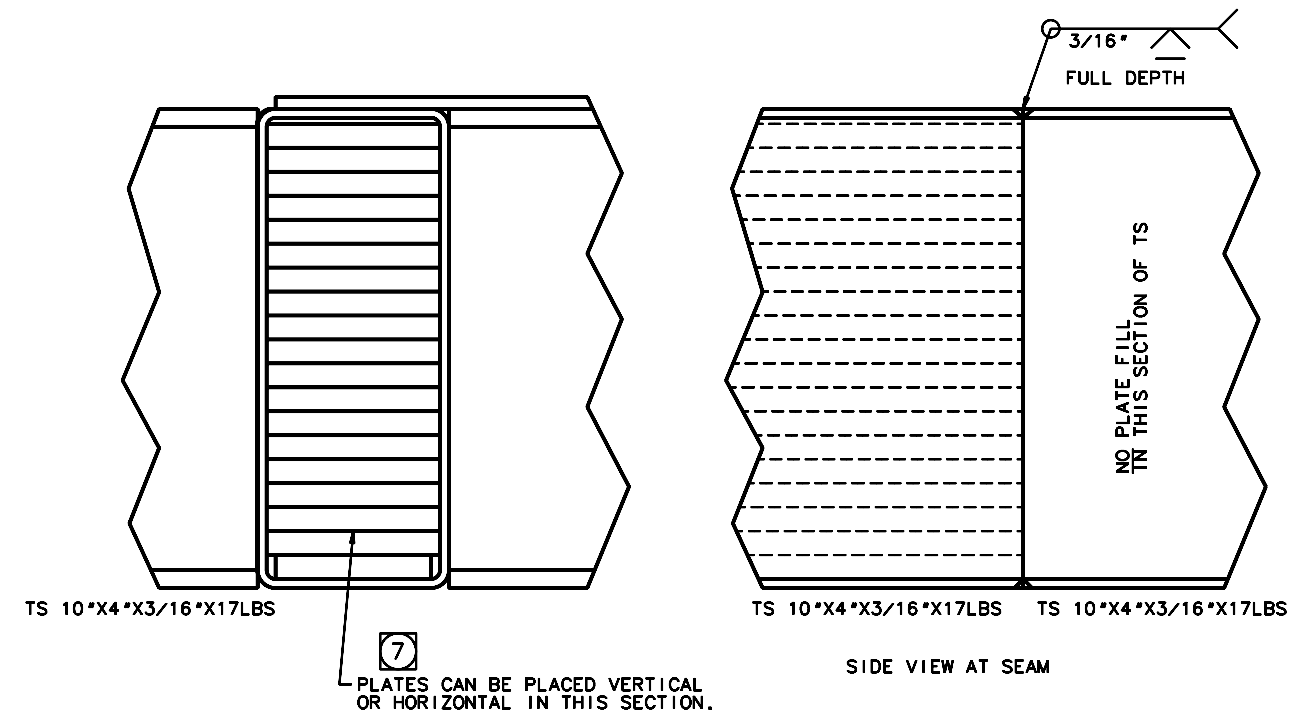
DETAIL U

SHT 3 & 5
SCALE 1:2
DIMENSIONS TYP WHERE APPLICABLE



DETAIL V

SHT 5
SCALE 3:8
DIMENSIONS TYP WHERE APPLICABLE



DETAIL W

SHTS 5, 6, 12
SCALE 1:2
DIMENSIONS TYP WHERE APPLICABLE

DO NOT SCALE DRAWING INTERPRET DIMENSIONS AND TOLERANCES IN ACCORDANCE WITH ASME Y14.5M-94		THIS DRAWING CREATED IN: ACAD <input type="checkbox"/> MECH <input type="checkbox"/> IDEAS <input checked="" type="checkbox"/>		Steward Observatory, University of Arizona 933 N. Cherry Avenue, Tucson, AZ 85721 (520)621-7659		
TOLERANCES UNLESS OTHERWISE SPECIFIED LINEAR .XX - 1 .XXX - .001 ANGULAR 40°30'		DESIGNED BY: D. DEAN DATE: 9/15/04		CATEGORY: MMT		
DIA METRICAL SEE SPEC S-002		DRAWN BY: D. DEAN DATE: 3/17/05		PROJECT: MAESTRO		
MATERIAL ASTM A36 STEEL		CHECKED BY: T. HOPPER DATE: 4/13/05		TITLE: MAIN SUPPORT FRAME WELDMENT		
FINISH 8		APPROVED BY: J. BECHTOLD DATE: 4/20/05		APPROVED BY: R. WARNER DATE: 4/20/05		
NEXT ASSY USED ON		APPROVED:		PLOT SIZE SCALE: D -		
ASSEMBLY APPLICATION		CURRENT TIME/DATE/FILE LOCATION:		DRAWING NUMBER: 14775		
DRAWING ARCHIVE LOCATION: http://davinci.as.arizona.edu/ocad/default.html		REVISION: A		SHEET 12 OF 12		