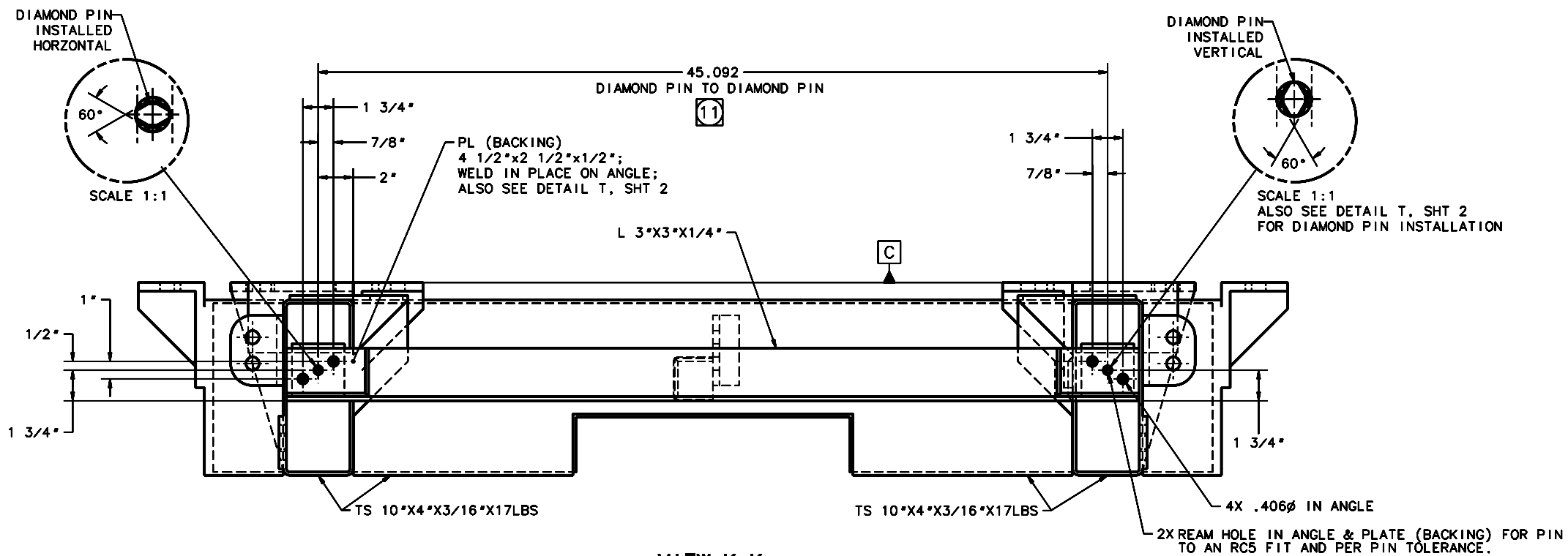
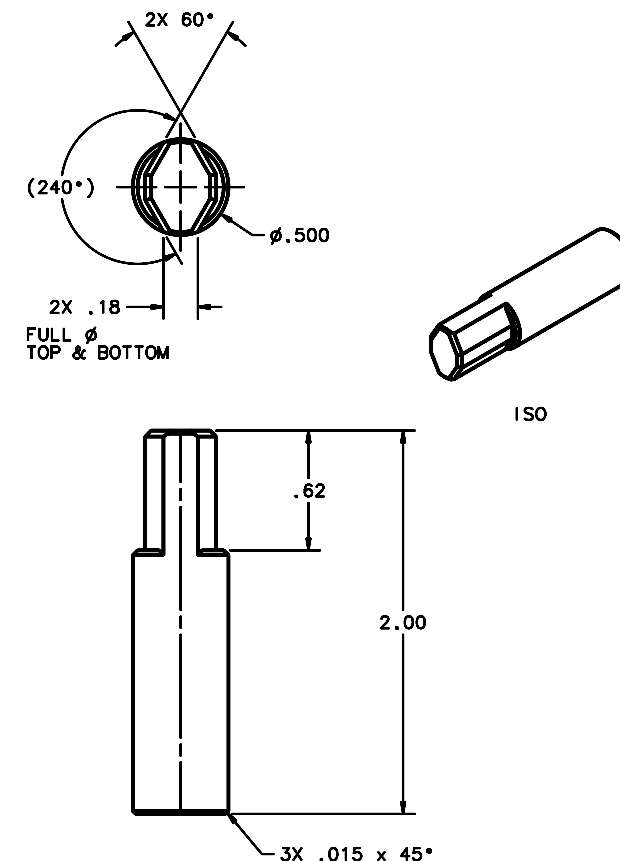


REVISIONS				
LTR	DESCRIPTION	DATE	REVISED BY	APPROVED
A	INITIAL RELEASE	4/20/05	R. NAGY	W. DAVISON



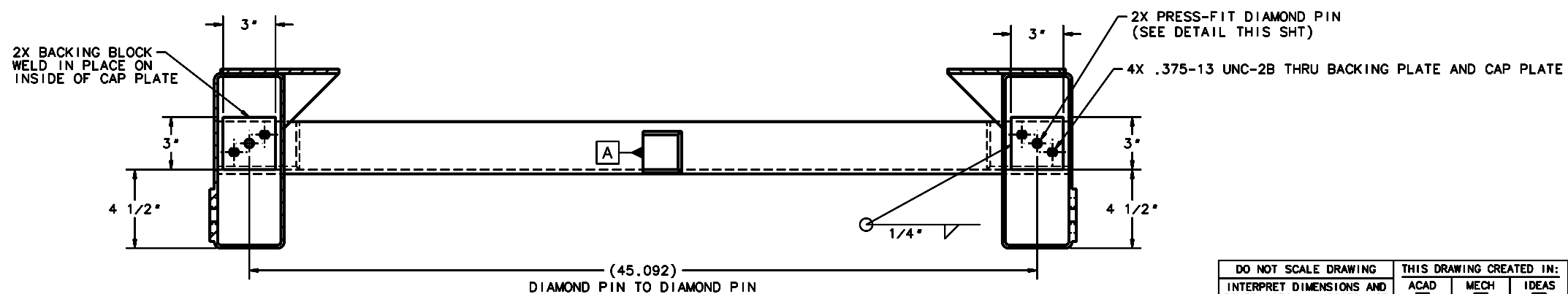
VIEW K-K

SHT 4
SCALE 1:4
ALL DIMENSIONS TYP WHERE APPLICABLE



DIAMOND PIN DETAIL

SCALE 2:1



SECTION L-L

SHT 4
SCALE 1:4
ALL DIMENSIONS TYP WHERE APPLICABLE

DO NOT SCALE DRAWING	THIS DRAWING CREATED IN:			Steward Observatory, University of Arizona		
INTERPRET DIMENSIONS AND TOLERANCES IN ACCORDANCE WITH ASME Y14.5M-94	ACAD	MECH	IDEAS	933 N. Cherry Avenue, Tucson, AZ 85721 (520)621-7659		
TOLERANCES UNLESS OTHERWISE SPECIFIED	<input type="checkbox"/>	<input type="checkbox"/>	<input checked="" type="checkbox"/>	DESIGNED BY:	DATE:	CATEGORY:
LINEAR				D. DEAN	9/15/04	MMT
ANGULAR				DRAWN BY:	3/17/05	PROJECT:
.XX - (1)				T. HOPPER	4/13/05	MAESTRO
.XXX -				CHECKED BY:	4/20/05	TITLE:
				J. BECHTOLD	4/20/05	MAIN SUPPORT FRAME WELDMENT
DIAMETRICAL				APPROVED:		
SEE SPEC S-002				R. WARNER	4/20/05	
MATERIAL				APPROVED:		
ASTM A36 STEEL	13295	MMT				
FINISH						
(8)	NEXT ASSY	USED ON				
	ASSEMBLY APPLICATION					
				CURRENT TIME/DATE/FILE LOCATION:		
				DRAWING ARCHIVE LOCATION: http://davincl.as.arizona.edu/ccad/default.html		
				PLOT SIZE SCALE:	D -	
				DRAWING NUMBER:	14775	
				REVISION:	A	