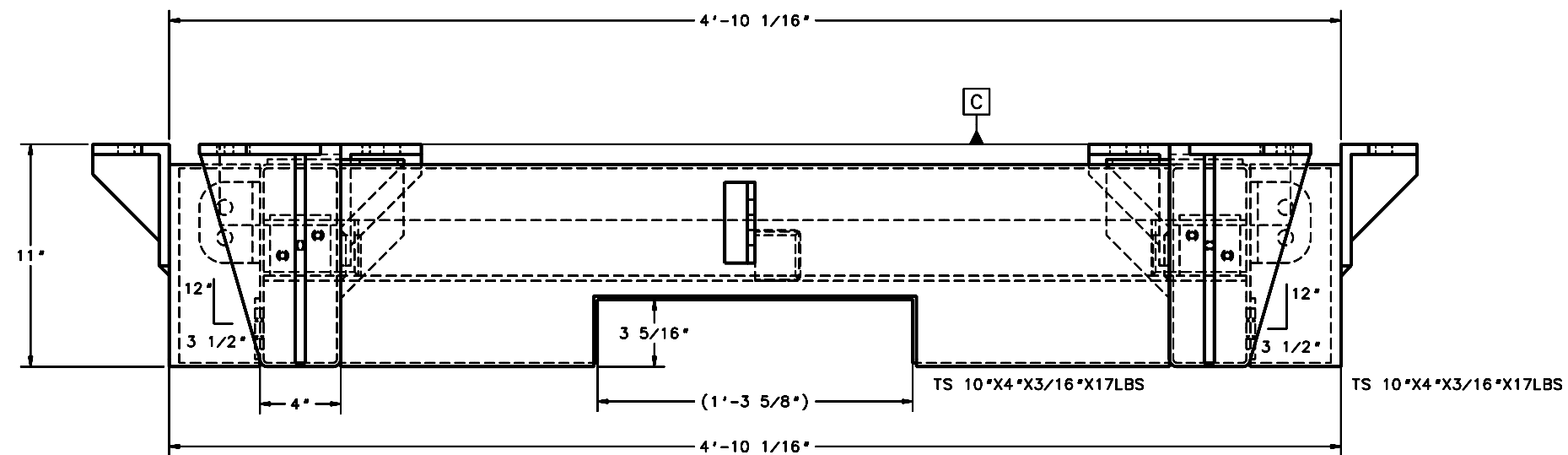
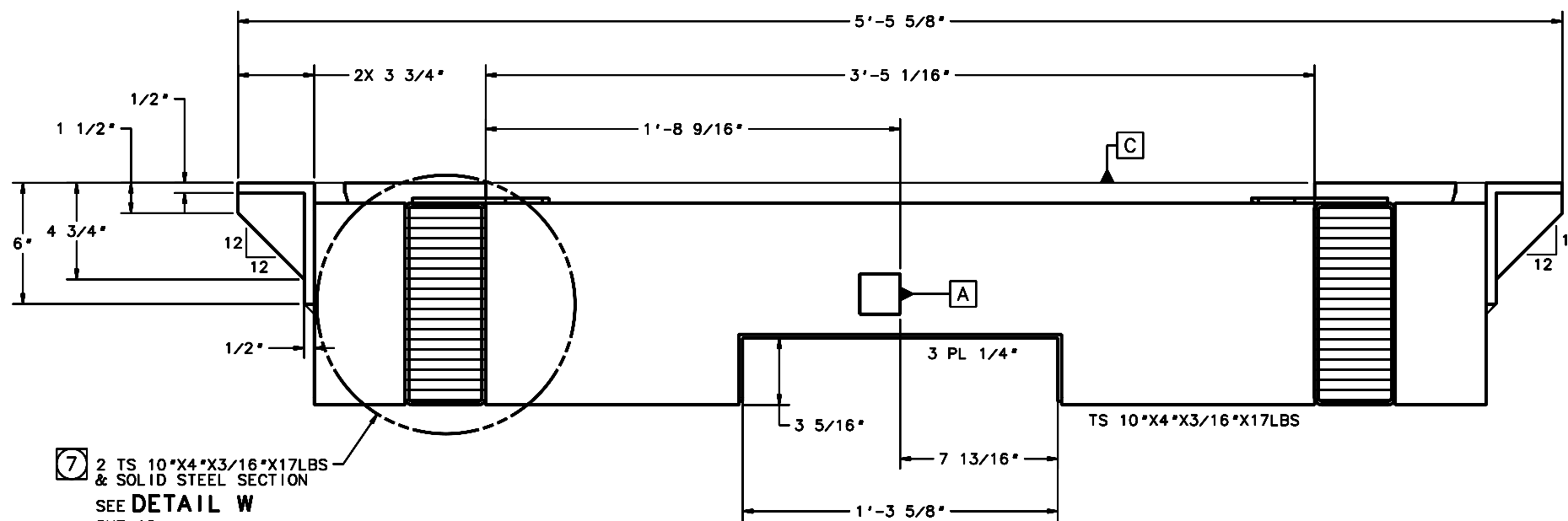


REVISIONS				
LTR	DESCRIPTION	DATE	REVISED BY	APPROVED
A	INITIAL RELEASE	4/20/05	R. NAGY	W. DAVISON



VIEW D-D

SHT 4
SCALE 1:4
DIMENSIONS TYP WHERE APPLICABLE



SECTION E-E

SHT 4
SCALE 1:4
DIMENSIONS TYP WHERE APPLICABLE

7 2 TS 10*X4*X3/16*X17LBS
& SOLID STEEL SECTION
SEE **DETAIL W**
SHT 12

DO NOT SCALE DRAWING INTERPRET DIMENSIONS AND TOLERANCES IN ACCORDANCE WITH ASME Y14.5M-94		THIS DRAWING CREATED IN: ACAD <input type="checkbox"/> MECH <input type="checkbox"/> IDEAS <input checked="" type="checkbox"/>		Steward Observatory, University of Arizona 933 N. Cherry Avenue, Tucson, AZ 85721 (520)621-7659	
TOLERANCES UNLESS OTHERWISE SPECIFIED LINEAR .1 ANGULAR .030° DIAMETRICAL SEE SPEC S-002		DESIGNED BY: D. DEAN	DATE: 9/15/04	CATEGORY: MMT	
MATERIAL ASTM A36 STEEL		DRAWN BY: D. DEAN	3/17/05	PROJECT: MAESTRO	
FINISH 8		CHECKED BY: T. HOPPER	4/13/05	TITLE: MAIN SUPPORT FRAME WELDMENT	
ASSEMBLY APPLICATION		APPROVED: J. BECHTOLD	4/20/05	DRAWING NUMBER: 14775	
CURRENT TIME/DATE/FILE LOCATION:		APPROVED: R. WARNER	4/20/05	REVISION: A	
DRAWING ARCHIVE LOCATION: http://davincl.as.arizona.edu/ccad/default.html		PLOT SIZE SCALE: D -		SHEET 6 OF 12	