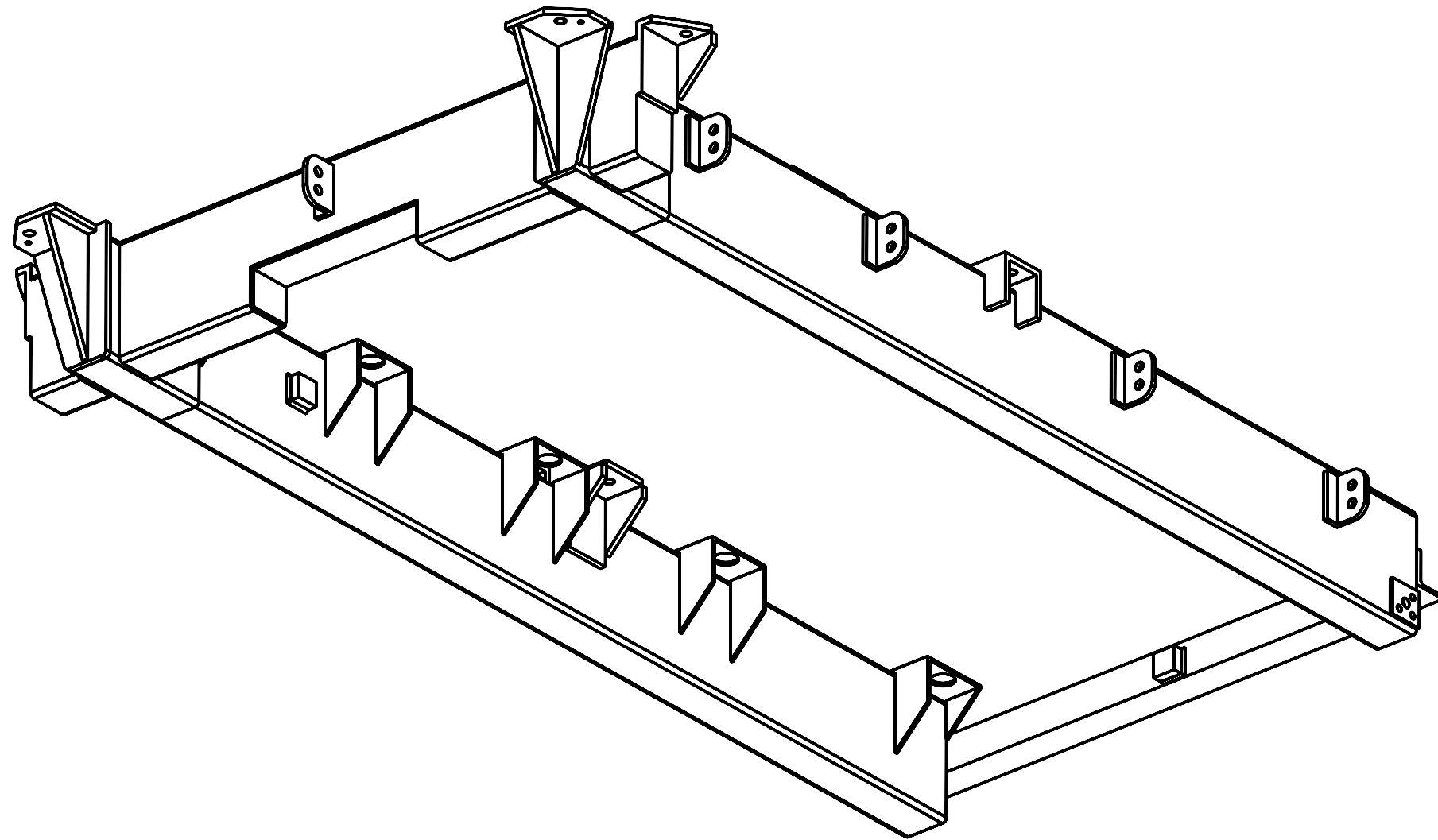
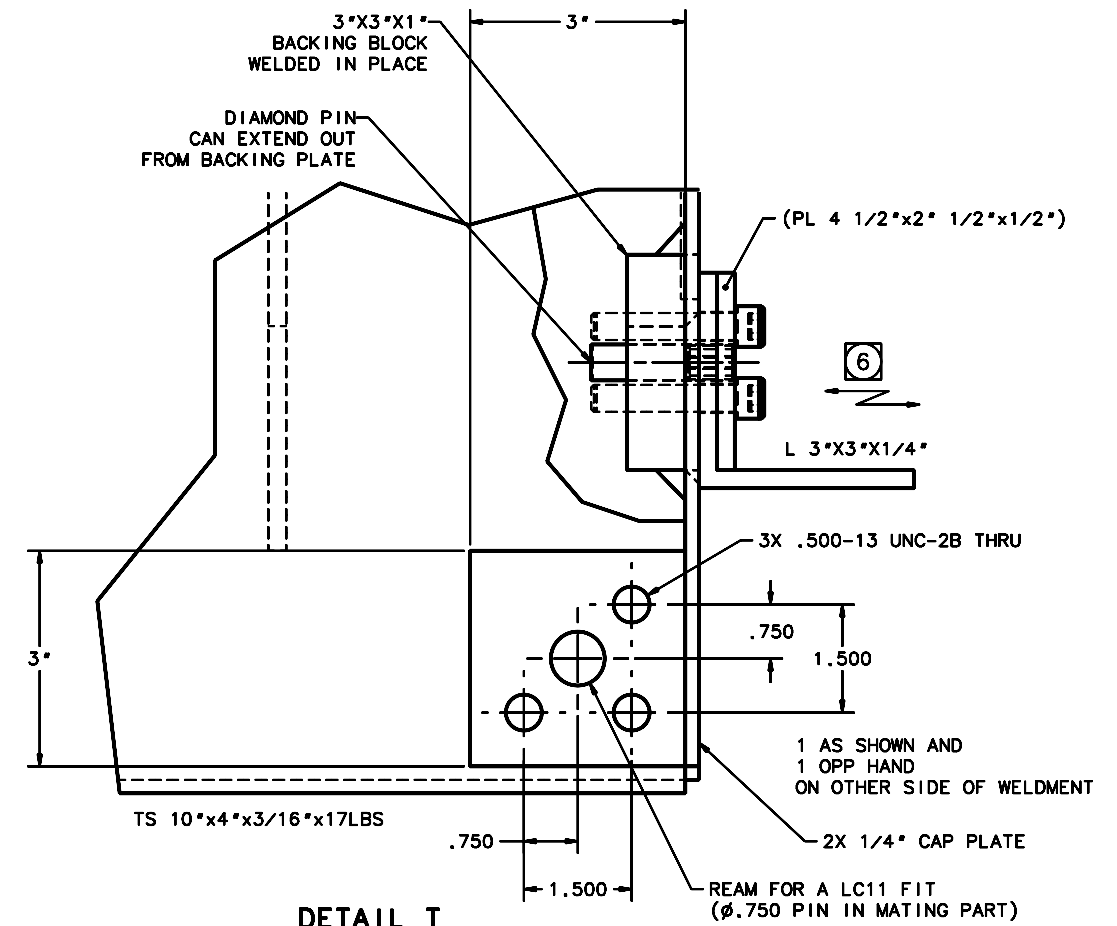


REVISIONS				
LTR	DESCRIPTION	DATE	REVISED BY	APPROVED
A	INITIAL RELEASE	4/20/05	R. NAGY	W. DAVISON



VIEW 2



DETAIL T

SHT 4
SCALE 3:4
DIMENSIONS TYP WHERE APPLICABLE

DO NOT SCALE DRAWING INTERPRET DIMENSIONS AND TOLERANCES IN ACCORDANCE WITH ASME Y14.5M-94		THIS DRAWING CREATED IN: ACAD <input type="checkbox"/> MECH <input type="checkbox"/> IDEAS <input checked="" type="checkbox"/>		Steward Observatory, University of Arizona 933 N. Cherry Avenue, Tucson, AZ 85721 (520)621-7659	
TOLERANCES UNLESS OTHERWISE SPECIFIED LINEAR .XX - ① ANGULAR .000 - 40°30'		DESIGNED BY: D. DEAN	DATE: 9/15/04	CATEGORY: MMT	
DIAMETRICAL SEE SPEC S-002		DRAWN BY: D. DEAN	3/17/05	PROJECT: MAESTRO	
MATERIAL ASTM A36 STEEL		CHECKED BY: T. HOPPER	4/13/05	TITLE: MAIN SUPPORT FRAME WELDMENT	
FINISH ⑧		APPROVED: J. BECHTOLD	4/20/05	PLOT SIZE SCALE: D -	
ASSEMBLY APPLICATION		APPROVED: R. WARNER	4/20/05	DRAWING NUMBER: 14775	REVISION: A
CURRENT TIME/DATE/FILE LOCATION:		DRAWING ARCHIVE LOCATION: http://davinci.as.arizona.edu/ccad/default.html		SHEET 2 OF 12	