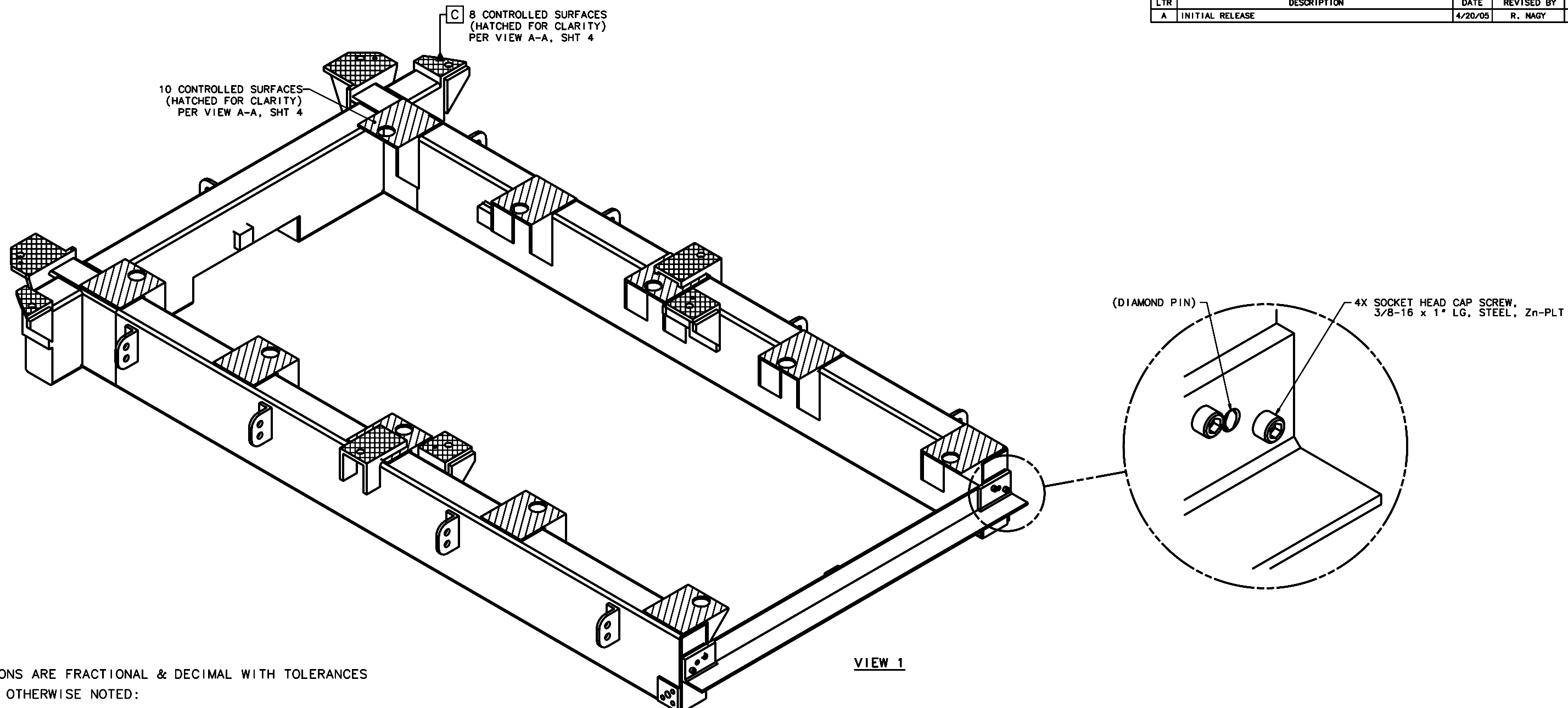


REVISIONS				
LTR	DESCRIPTION	DATE	REVISED BY	APPROVED
A	INITIAL RELEASE	4/20/05	R. NAGY	W. DAVISON



VIEW 1

ISO VIEWS SHTs 1 & 2
 SCALE NTS
 ADDITIONAL FABRICATION VIEWS ON SHTs 2 THRU 12

NOTES:

- ① DIMENSIONS ARE FRACTIONAL & DECIMAL WITH TOLERANCES UNLESS OTHERWISE NOTED:
 A. FRACTIONAL: $\pm 1/16$
 B. DECIMAL: .X = $\pm .06$
 .XX = $\pm .03$
 .XXX = $\pm .005$
- 2. BREAK ALL SHARP EDGES & DEBURR HOLES.
- 3. GRIND ALL WELDS FOR SMOOTH APPEARANCE.
- 4. MACHINE SURFACES TO BE 125 RMS.
- ⑤ TO COMPLETE THIS WELDMENT, POSITION & WELD IN PLACE (2) 14631-1 & (2) 14631-2 SHEAR ANGLE BLOCKS,
 A. 14631-1 SHEAR BLOCK ON SIDE SHOWN.
 B. 14631-2 SHEAR BLOCK ON SIDE SHOWN.
 PER 14522 FRAME WELDMENT & COUNTERWEIGHT ASSEMBLY, NOTE 1A.
- ⑥ L3*X3*X1/4" TO BE REMOVEABLE WITH A ACCURATE REPEATABLE LOCATION REQUIRED.
- ⑦ FILL TS 10"x4"x3/16"x17LBS WITH STEEL AND WELD IN PLACE, PROFILE OF TS TO BE THE SAME.
- ⑧ ALL SURFACES, EXCEPT THREADS, DIAMOND PINS & THEIR MATING HOLES IN ANGLE TO BE PRIMED WITH TWO (2) COATS OF RED OXIDE PRIMER (RUST-OLEUM #7669 OR EQUIVALENT) & THEN PAINTED TWO (2) COATS OF ALKYD ENAMEL GLOSS WHITE (KELGARD #1700-061 OR EQUIVALENT).
- 9. DIMENSIONS & SURFACE FORM CONTROLS ARE BEFORE BEFORE PAINTING

DO NOT SCALE DRAWING		THIS DRAWING CREATED IN:		Steward Observatory, University of Arizona	
INTERPRET DIMENSIONS AND TOLERANCES IN ACCORDANCE WITH ASME Y14.5M-94		ACAD <input type="checkbox"/>	MECH <input type="checkbox"/>	IDEAS <input checked="" type="checkbox"/>	933 N. Cherry Avenue, Tucson, AZ 85721 (520)621-7659
TOLERANCES UNLESS OTHERWISE SPECIFIED		DESIGNED BY: D. DEAN		DATE: 9/15/04	CATEGORY: MMT
LINEAR .XX = ①		DRAWN BY: D. DEAN		3/17/05	PROJECT: MAESTRO
ANGULAR .XX = ①		CHECKED BY: T. HOPPER		4/13/05	TITLE: MAIN SUPPORT FRAME WELDMENT
DIAMETRICAL .XXX = ①		APPROVED BY: J. BECHTOLD		4/20/05	
SEE SPEC S-002		APPROVED BY: R. WARNER		4/20/05	
MATERIAL		13295	MMT	PLOT SIZE SCALE: D -	
ASTM A36 STEEL		NEXT ASSY	USED ON	DRAWING NUMBER: 14775	
FINISH ⑧		ASSEMBLY APPLICATION		REVISION: A	
CURRENT TIME/DATE/FILE LOCATION: http://davinci.as.arizona.edu/ccad/default.html					
DRAWING ARCHIVE LOCATION: http://davinci.as.arizona.edu/ccad/default.html					