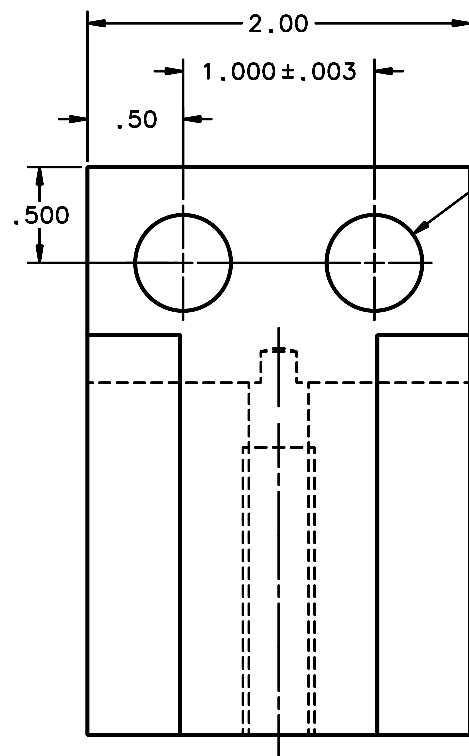
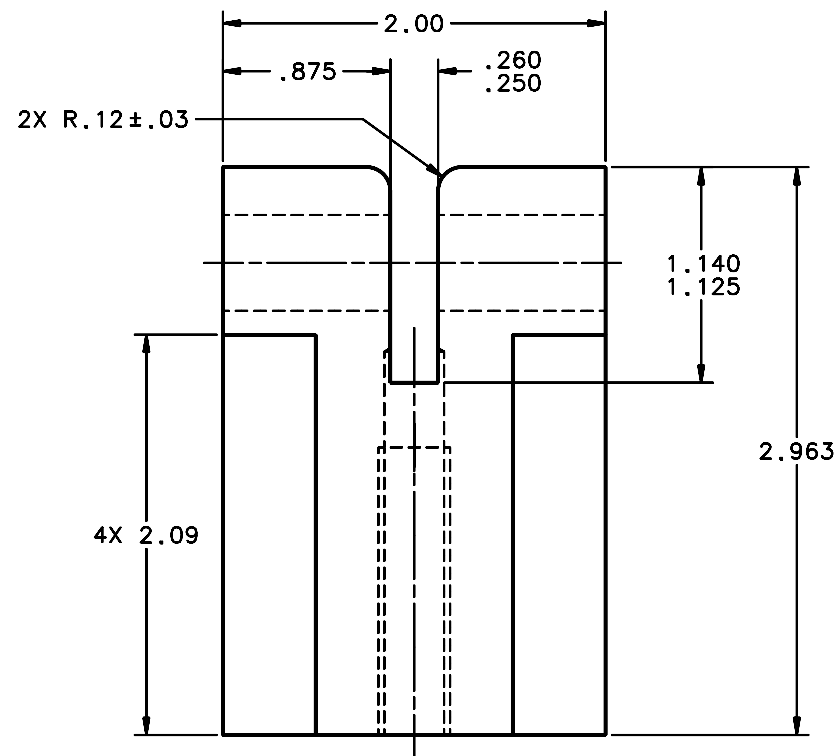
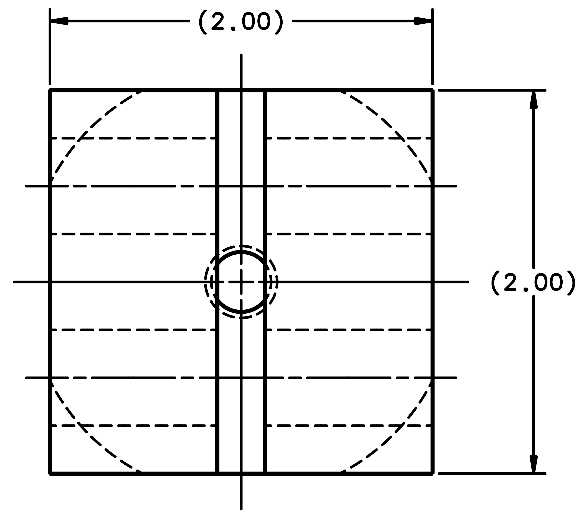
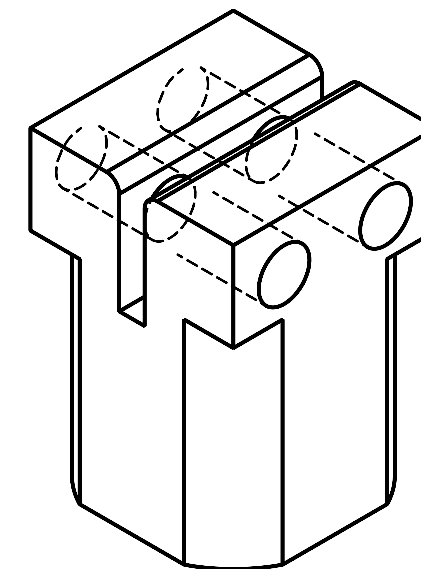


REVISIONS				
LTR	DESCRIPTION	DATE	REVISED BY	APPROVED
A	INITIAL RELEASE	11/17/05	R. NAGY	J. BECHTOLD

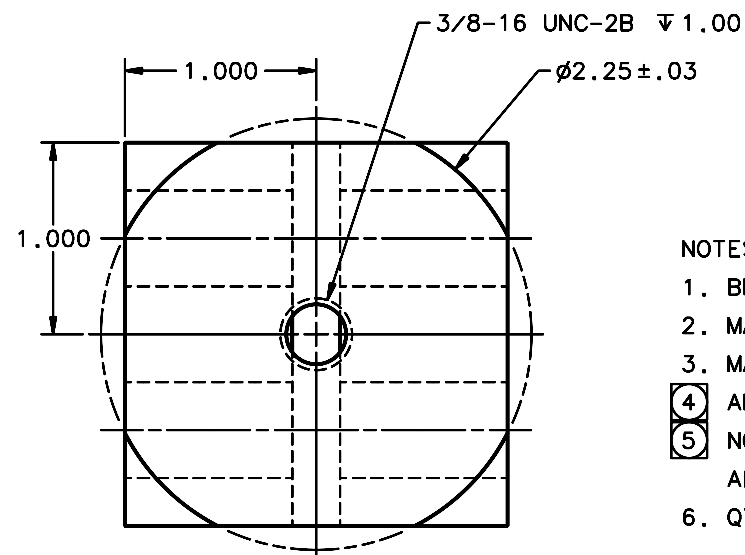


5
2X φ .5016 THRU
.5000 (RC6 WITH DWG NO.
16065 & 16066)



ISO

SCALE 2:1



NOTES:

- BREAK SHARP EDGES & DEBURR.
- MACHINED SURFACE FINISH TO BE 125 RMS.
- MACHINED FILLETS TO BE .015 MAX.
- ANODIZE PER MIL-A-8625, TYPE II, CLASS 2, BLACK.
- NOTED HOLE SIZES ARE AFTER ANODIZE;
ALL OTHER DIMENSIONS ARE BEFORE.
- QTY REQD: 2.

DO NOT SCALE DRAWING INTERPRET DIMENSIONS AND TOLERANCES IN ACCORDANCE WITH ASME Y14.5M-94		THIS DRAWING CREATED IN: ACAD <input type="checkbox"/> MECH <input type="checkbox"/> IDEAS <input checked="" type="checkbox"/>		Steward Observatory, University of Arizona 933 N. Cherry Avenue, Tucson, AZ 85721 (520)621-7659	
TOLERANCES UNLESS OTHERWISE SPECIFIED LINEAR .X = NA .XX = ±.02 .XXX = ±.008 ANGULAR ± 1° DIAMETRICAL SEE SPEC S-002		DESIGNED BY: D. DEAN DATE: 10/20/03 CATEGORY: MMT		DRAWN BY: D. DEAN DATE: 11/4/03 PROJECT: MAESTRO	
DIMENSIONS ARE IN INCHES / DIMENSIONS IN 1 ARE METRIC		CHECKED BY: R. NAGY DATE: 11/14/05 TITLE: TRUSS SPACE FRAME TO WELDMENT FLEX CONNECTION BLOCK TYPE 4		APPROVED BY: J. BECHTOLD DATE: 11/17/05	
MATERIAL 6061-T6 Al		16056 MMT-MAESTRO NEXT ASSY USED ON		APPROVED: PLOT SIZE SCALE: D - DRAWING NUMBER: 13309 REVISION: A	
FINISH 4		ASSEMBLY APPLICATION		CURRENT TIME/DATE/FILE LOCATION: DRAWING ARCHIVE LOCATION: http://dovinc1.es.arizona.edu/ocod/default.html	