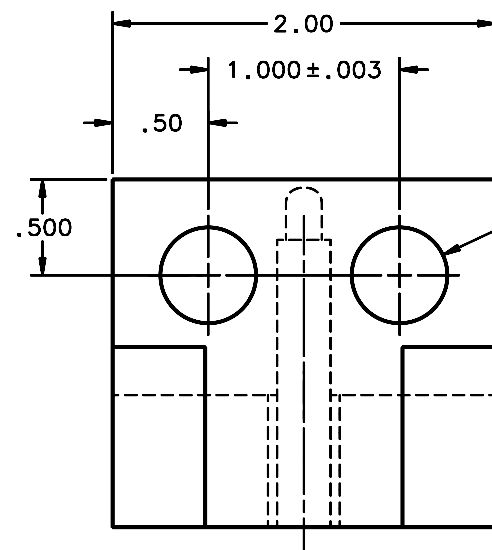
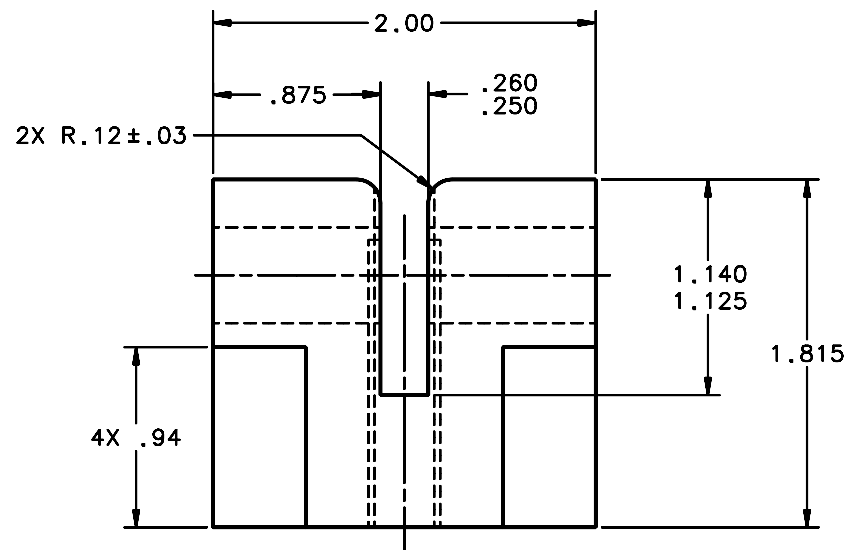
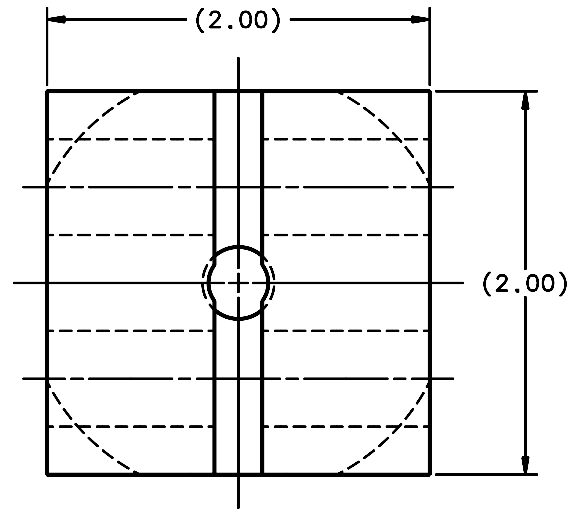
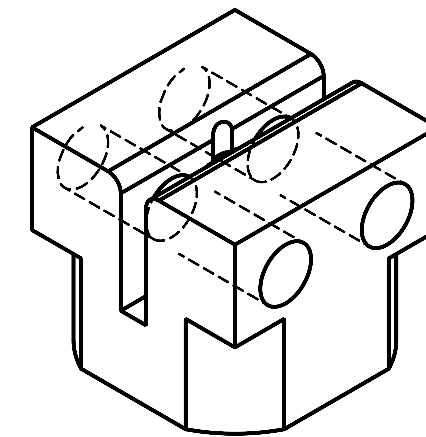


REVISIONS				
LTR	DESCRIPTION	DATE	REVISED BY	APPROVED
A	INITIAL RELEASE	11/17/05	R. NAGY	J. BECHTOLD

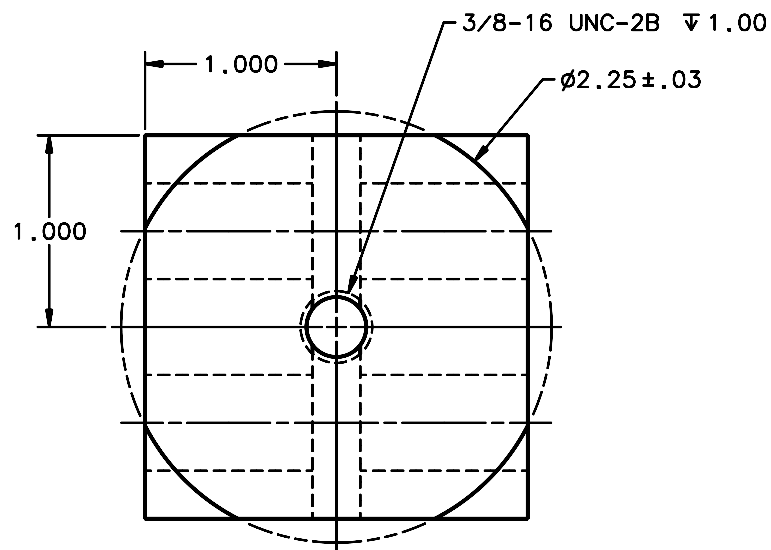


5
2X ϕ .5016 THRU
(RC6 WITH DWG NO.
16065 & 16066)

SCALE 2:1



ISO



NOTES:

- BREAK SHARP EDGES & DEBURR.
- MACHINED SURFACE FINISH TO BE 125 RMS.
- MACHINED FILLETS TO BE .015 MAX.
- 4 ANODIZE PER MIL-A-8625, TYPE II, CLASS 2, BLACK.
- 5 NOTED HOLE SIZES ARE AFTER ANODIZE;
ALL OTHER DIMENSIONS ARE BEFORE.
- QTY REQD: 2.

DO NOT SCALE DRAWING INTERPRET DIMENSIONS AND TOLERANCES IN ACCORDANCE WITH ASME Y14.5M-94		THIS DRAWING CREATED IN: ACAD <input type="checkbox"/> MECH <input type="checkbox"/> IDEAS <input checked="" type="checkbox"/>		Steward Observatory, University of Arizona 933 N. Cherry Avenue, Tucson, AZ 85721 (520)621-7659	
TOLERANCES UNLESS OTHERWISE SPECIFIED LINEAR .X = NA .XX = ±.02 .XXX = ±.008 ANGULAR ± 1° DIAMETRICAL SEE SPEC S-002		DESIGNED BY: D. DEAN DRAWN BY: D. DEAN CHECKED BY: R. NAGY APPROVED: J. BECHTOLD		DATE: 10/20/03 10/31/03 11/14/05 11/17/05	
MATERIAL 6061-T6 A1		16054 MMT-MAESTRO NEXT ASSY USED ON		CATEGORY: MMT PROJECT: MAESTRO TITLE: TRUSS SPACE FRAME TO WELDMENT FLEX CONNECTION BLOCK TYPE 2	
FINISH 4		ASSEMBLY APPLICATION		PLOT SIZE SCALE: D - DRAWING NUMBER: 13305 REVISION: A	
CURRENT TIME/DATE/FILE LOCATION: DRAWING ARCHIVE LOCATION: http://dovinc1.es.arizona.edu/ccod/default.html					