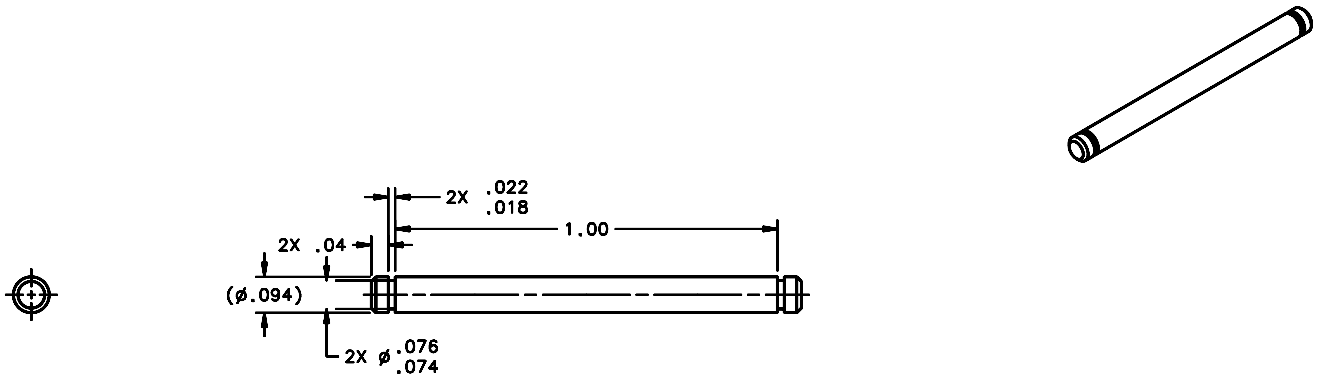


REVISIONS				
LTR	DESCRIPTION	DATE	REVISED BY	APPROVED
A	INITIAL RELEASE	03/28/05	J. BRENNAN	G. LANGRIS



SCALE 4:1

NOTES:

1. BREAK SHARP EDGES.
2. MACHINED SURFACE FINISH TO BE 125 RMS OR BETTER.
3. MACHINED FILLETS TO BE R.015 MAX.

DO NOT SCALE DRAWING		THIS DRAWING CREATED IN:		Steward Observatory, University of Arizona	
INTERPRET DIMENSIONS AND TOLERANCES IN ACCORDANCE WITH ASME Y14.5M-04		ACAD <input type="checkbox"/>	MECH <input type="checkbox"/>	IDEAS <input checked="" type="checkbox"/>	935 N. Cherry Avenue, Tucson, AZ 85721 (520)821-7859
TOLERANCES UNLESS OTHERWISE SPECIFIED		DESIGNED BY: D. DEAN	DATE: 03/22/05	CATEGORY: MMT	
LINEAR .001		DRAWN BY: J. BRENNAN	DATE: 03/22/05	PROJECT: MAESTRO	
ANGULAR 1°		CHECKED BY:		TITLE:	
3 X .001		APPROVED:		FOLD MIRROR MOUNT GROOVED DOWEL PIN	
2 X .001		APPROVED:			
MATERIAL		14205	MMT-MAESTRO	PLAT SIZE SCALE:	DRAWING NUMBER: 14700
FINISH		NEXT ASSY	USED ON	B -	REVISION: A
ASSEMBLY APPLICATION		DATE: TIME: SHEET FILE LOCATION:		SHEET 1 OF 1	