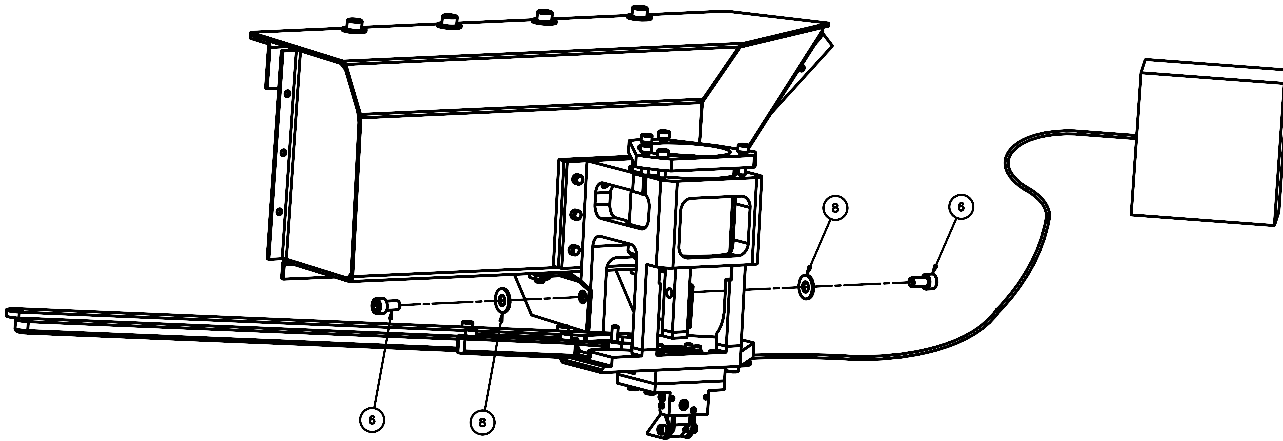


REVISIONS				
LTR	DESCRIPTION	DATE	REVIEWED BY	APPROVED
A	INITIAL RELEASE	03/28/04	J. BROWN	G. LANDIS



SCALE 1:1

DO NOT SCALE DRAWING		THIS DRAWING CREATED IN:		Steward Observatory, University of Arizona	
TOLERANCES UNLESS OTHERWISE SPECIFIED		ASAP	ISO	933 N. Cherry Avenue, Tucson, AZ 85721 (520)621-7850	
TOLERANCES IN ACCORDANCE WITH ISO 2768-MS		<input type="checkbox"/>	<input type="checkbox"/>	<input checked="" type="checkbox"/>	
TOLERANCES UNLESS OTHERWISE SPECIFIED		DESIGNED BY	DATE	PROJECT	MMT
LINEAR		D. DEAN	06/27/04	PROJECT	MAESTRO
ANGULAR		DESIGNED BY	06/27/04	TITLE	
SURFACE		G. LANDIS	06/27/04	INJECTION OPTICS & MOUNTING ASSEMBLY	
HOLE POSITION		APPROVED BY	06/27/04	PLAT BY (SEE BOARD)	
HOLE SIZE		M. REED	06/27/04	ISSUE NUMBER	14269
HOLE LOCATION		APPROVED		REVISION	A
MATERIAL		MAESTRO	MMT-MAESTRO		
NEXT ASSY USED ON		APPROVED			
FINISH		ASSEMBLY APPLICATION		SHEET 2 OF 2	