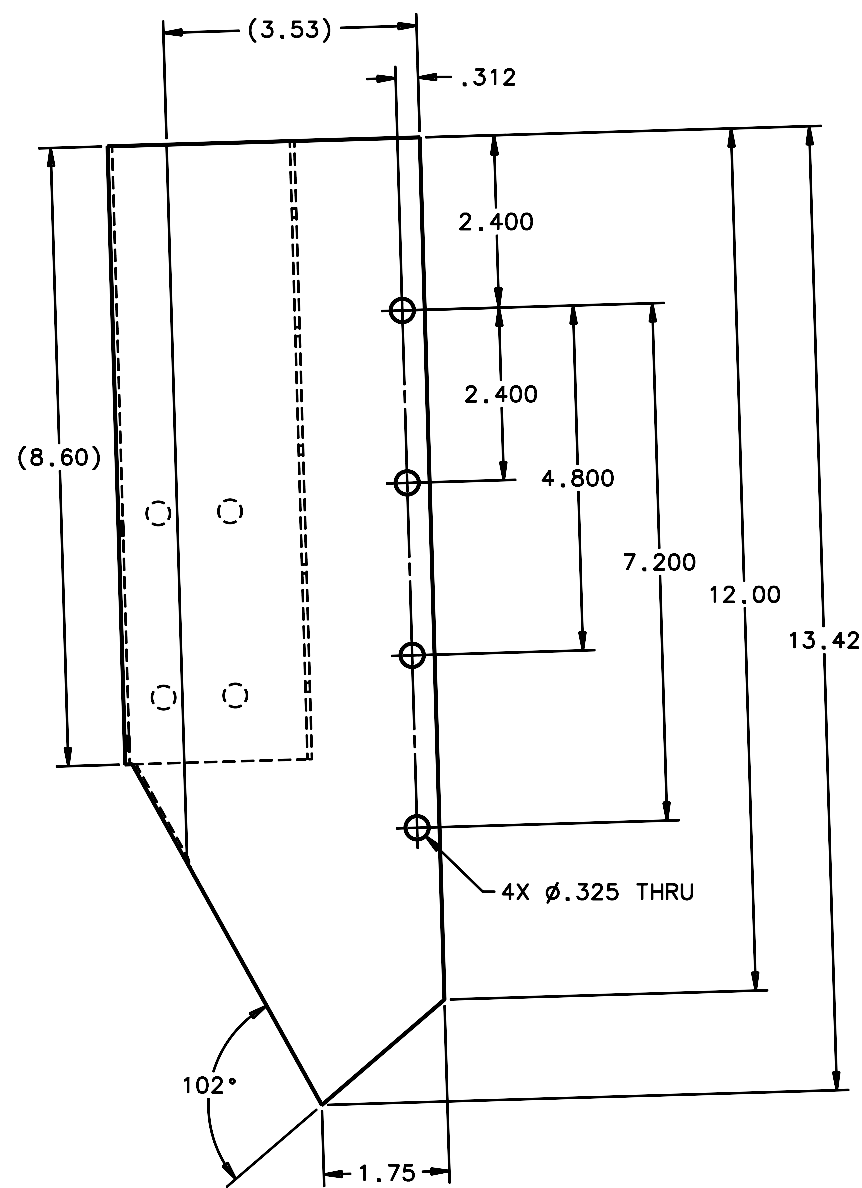
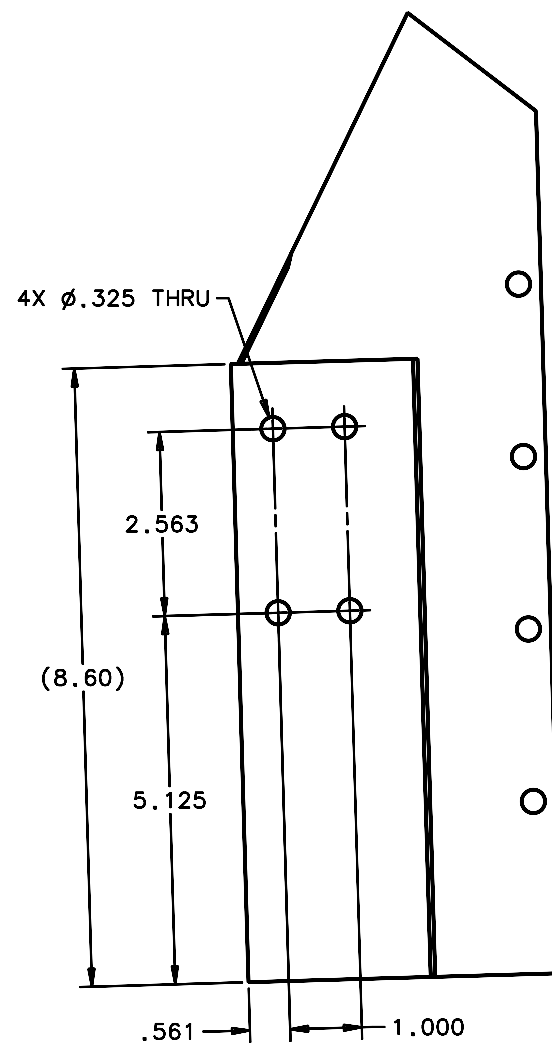


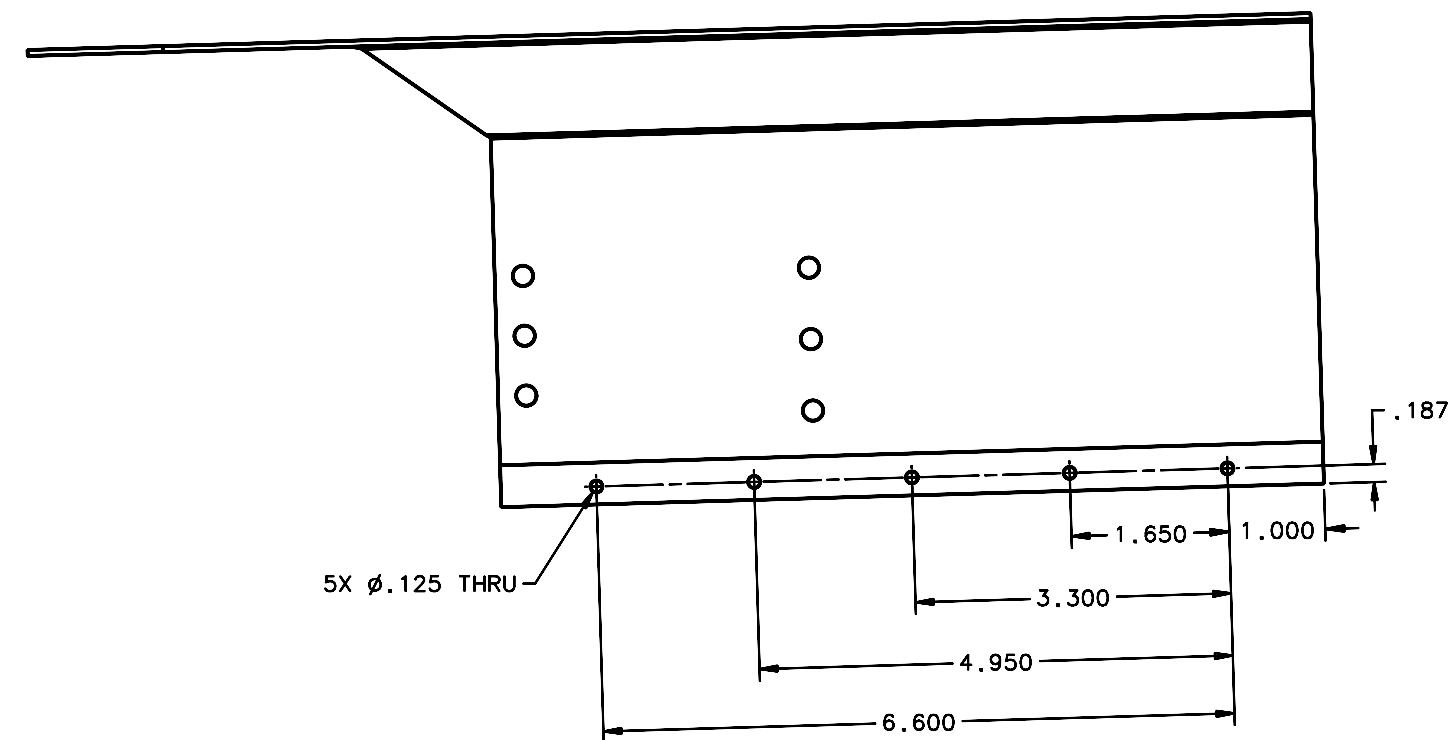
REVISIONS				
LTR	DESCRIPTION	DATE	REVISED BY	APPROVED
A	INITIAL RELEASE	03/29/05	J. BRENNAN	G. LANDIS
B	REVISED NOTE 8; ADDED NOTES 9 & 10	4/18/05	R. NAGY	R. WARNER
C	ADDED FLAT PATTERNS; WAS 20 SHTS (REDUCED VIEW SCALES & COMBINED SEVERAL VIEWS PER SHT); <u>NO</u> DESIGN CHANGES	6/29/05	J. BRENNAN/ R. NAGY	R. WARNER



VIEW C-C
SHT 3
SCALE 3:4



VIEW D-D
SHT 3
SCALE 3:4



VIEW E-E
SHT 3
SCALE 1:1

DO NOT SCALE DRAWING INTERPRET DIMENSIONS AND TOLERANCES IN ACCORDANCE WITH ASME Y14.5M-94		THIS DRAWING CREATED IN: ACAD <input type="checkbox"/> MECH <input type="checkbox"/> IDEAS <input checked="" type="checkbox"/>		Steward Observatory, University of Arizona 933 N. Cherry Avenue, Tucson, AZ 85721 (520)621-7659	
TOLERANCES UNLESS OTHERWISE SPECIFIED LINEAR .X = NA .XX = ±.03 .XXX = ±.010 ANGULAR ± 1° DIAMETRICAL SEE SPEC S-002		DESIGNED BY: D. DEAN	DATE: 10/27/04	CATEGORY: MMT	
MATERIAL INVAR 36 ALLOY, 16 B.G. (.0625)		DRAWN BY: R. ABALDO	10/27/04	PROJECT: MAESTRO	
FINISH <input checked="" type="checkbox"/>		CHECKED BY: G. LANDIS	10/27/04	TITLE: INJECTION OPTICS MOUNTING BOX	
ASSEMBLY APPLICATION		APPROVED: M. REED	10/27/04	PLOT SIZE SCALE: D -	
CURRENT TIME/DATE/FILE LOCATION:		DRAWING NUMBER: 14267		REVISION: C	
DRAWING ARCHIVE LOCATION: http://dvinc1.es.arizona.edu/ocod/default.html		SHEET 4 OF 11			