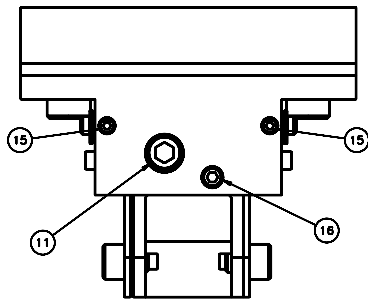


REVISIONS				
LTR	DESCRIPTION	DATE	REVIEWED BY	APPROVED
A	INITIAL RELEASE	03/28/04	J. BROWN	S. LANDIS



VIEW A-A SHT 1
SCALE 4:1

DO NOT SCALE DRAWING		THIS DRAWING CREATED IN:		Steward Observatory, University of Arizona	
INTERPRET DIMENSIONS AND TOLERANCES IN ACCORDANCE WITH ISO 15:2003		ASAP	ISO	303 N. Cherry Avenue, Tucson, AZ 85721	(520)621-7850
TOLERANCES		ASAP	ISO	DATE: 06/27/04	PROJECT: MMT
UNLESS OTHERWISE SPECIFIED		DATE BY: D. DEAN	DATE: 06/27/04	PROJECT: MAESTRO	
LIMITS: HOLE		DATE BY: G. LANDIS	DATE: 06/27/04	TITLE: FOLD MIRROR MOUNT ASSEMBLY	
LIMITS: SHAFT		DATE BY: M. REED	DATE: 06/27/04	PROJECT: MAESTRO	
LIMITS: OTHER		DATE BY:	DATE:	TITLE: FOLD MIRROR MOUNT ASSEMBLY	
MATERIAL		14208	MMT-MAESTRO	PLAT TO BE BOLA	NUMBER ASSY: 14265
NEXT ASSY USED ON				D -	A
FINISH		ASSEMBLY APPLICATION		SHEET 2 OF 2	