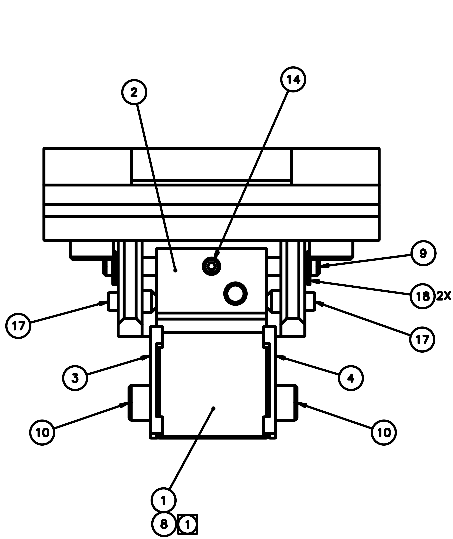
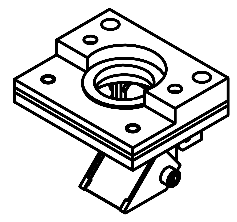
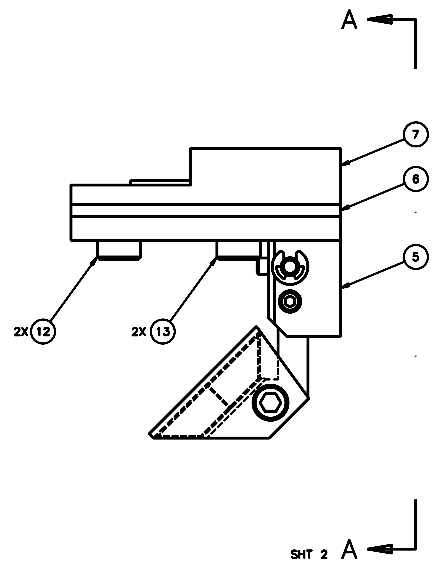


REVISIONS				
LTR	DESCRIPTION	DATE	REVIEWED BY	APPROVED
A	INITIAL RELEASE	03/28/04	J. DEAN	S. LANDIS



SCALE 4:1



QTY	UNIT	PART NUMBER	DESCRIPTION	MANUFACTURER	REV
2		98408A114	.003 E-STYLE RETAINING RING	McMASTER CARR	18
2		94355A140	.112-40 UNC X .250 SHSS	McMASTER CARR	17
1		94355A130	.112-40 UNC X .125 SHSS	McMASTER CARR	18
2		92311A076	.088-58 UNC X .187 SHSS	McMASTER CARR	15
1		92311A074	.088-58 UNC X .125 SHSS	McMASTER CARR	14
2		92196A146	.138-32 UNC X .375 SHCS	McMASTER CARR	13
2		92196A144	.138-32 UNC X .250 SHCS	McMASTER CARR	12
1		92196A105	.112-40 UNC X .187 SHCS	McMASTER CARR	11
2		92196A103	.112-40 UNC X .125 SHCS	McMASTER CARR	10
1		90145A443	.083 X 1.125 DONUT PIN	McMASTER CARR	9
1		RTY-630	FOLD MIRROR ADHESIVE	GE	8
1		14248	FOLD MIRROR & SHUTTER MOUNTING PLATE		7
1		14247	FOLD MIRROR MOUNTING BLOCK SHIM		6
1		14246	FOLD MIRROR MOUNTING PLATE BRKT		5
1		14245	FOLD MIRROR SIDE CLIP RH		4
1		14244	FOLD MIRROR SIDE CLIP LH		3
1		14243	FOLD MIRROR MOUNTING PLATE 2		2
1		13530	FOLD MIRROR		1

SHT 2 A

NOTES:  
 [1] ADHESIVE TO BE APPLIED .020 THICK BETWEEN THE FOLD MIRROR AND THE MOUNTING PLATE.(ITEM 2)

DO NOT SCALE DRAWING  
 TOLERANCES UNLESS OTHERWISE SPECIFIED  
 DIMENSIONS IN PARENTHESES ARE TOLERANCES TO BE MAINTAINED IN ACCORDANCE WITH ASME Y14.5M-94

THIS DRAWING CREATED IN:  
 AECAD AECAD TIGER

Steward Observatory, University of Arizona  
 933 N. Cherry Avenue, Tucson, AZ 85721 (520)621-7850

DESIGNED BY: D. DEAN DATE: 06/27/04 PROJECT: MMT  
 DRAWN BY: G. ABALDO DATE: 06/27/04 PROJECT: MAESTRO  
 CHECKED BY: G. LANDIS DATE: 06/27/04 TITLE: FOLD MIRROR MOUNT ASSEMBLY  
 APPROVED BY: M. NEED DATE: 06/27/04

MATERIAL: 14266 MMT-MAESTRO  
 NEXT ASSY USED ON: APPROVED BY: D - 14265 APPROVED BY: A

FINISH: ASSEMBLY APPLICATION: COMPARE THIS DRAWING WITH LOCATION: SHEET 1 OF 2