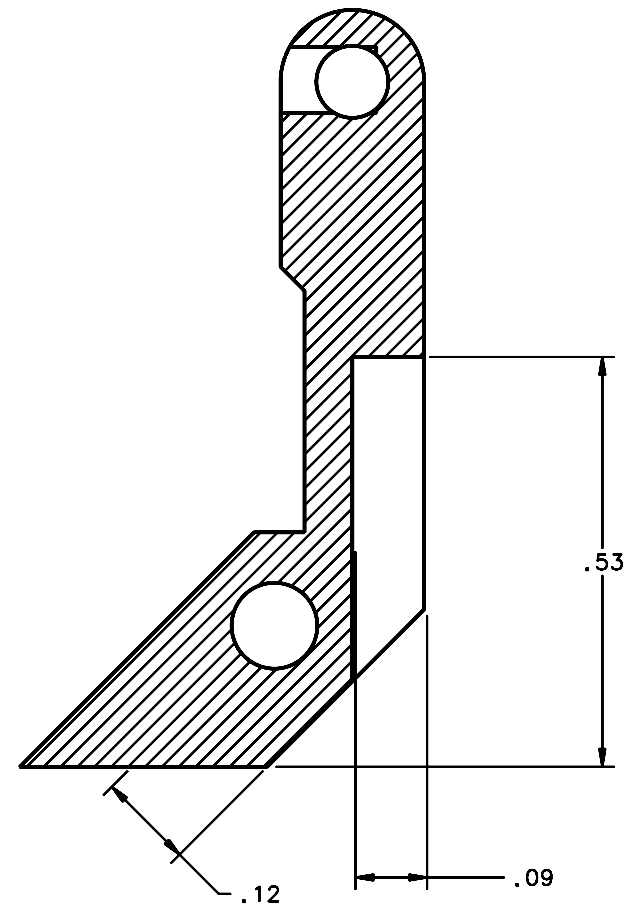
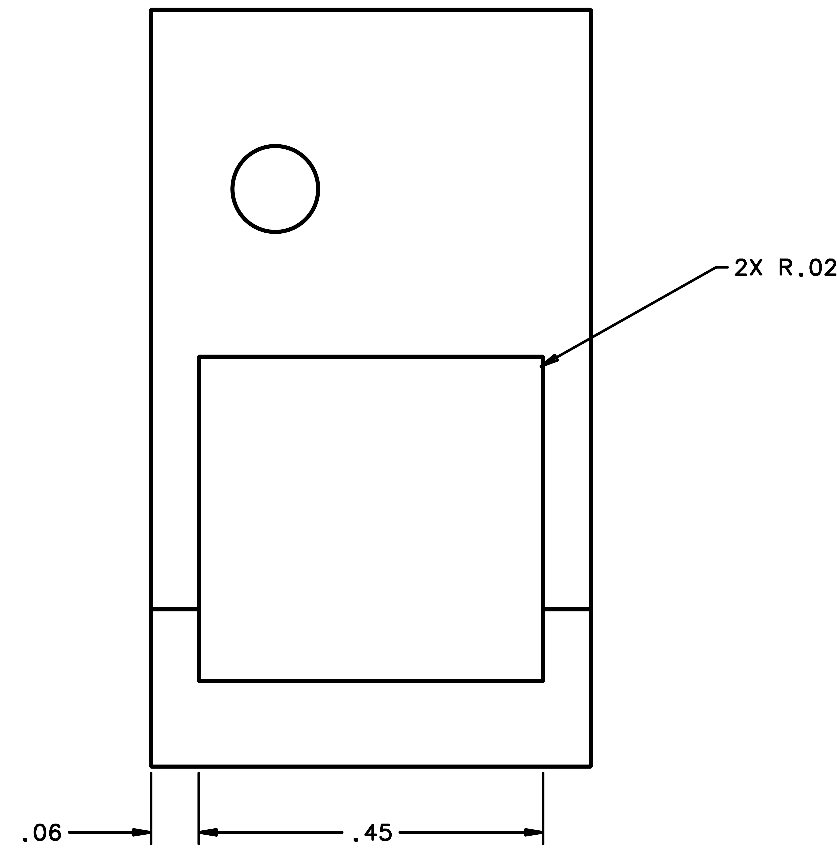


REVISIONS				
LTR	DESCRIPTION	DATE	REVISED BY	APPROVED
A	INITIAL RELEASE	03/29/09	J. BRENNAN	G. LANDIS
B	REDESIGNED PER MACHINE SHOP	05/24/09	J. BRENNAN	-



SECTION A-A SHT 1

SCALE 8:1



VIEW B-B SHT 1

DO NOT SCALE DRAWING INTERPRET DIMENSIONS AND TOLERANCES IN ACCORDANCE WITH ASME Y14.5M-94		THIS DRAWING CREATED IN: ACAD <input type="checkbox"/> MECH <input type="checkbox"/> IDEAS <input checked="" type="checkbox"/>		Steward Observatory, University of Arizona 933 N. Cherry Avenue, Tucson, AZ 85721 (520)621-7659		
TOLERANCES UNLESS OTHERWISE SPECIFIED LINEAR            ANGULAR .X       = ±            ± 1° .XX      = ±.02 .XXX     = ±.005 DIAMETRICAL SEE SPEC S-002				DESIGNED BY: D. DEAN	DATE: 09/27/04	CATEGORY: MMT
MATERIAL AL ALLOY 6061-T6		14265    MMT-MAESTRO		DRAWN BY: R. ABALDO	09/27/04	PROJECT: MAESTRO
FINISH    4		NEXT ASSY    USED ON		CHECKED BY: G. LANDIS	09/27/04	TITLE: FOLD MIRROR MOUNTING PLATE 2
ASSEMBLY APPLICATION		CURRENT TIME/DATE/FILE LOCATION:		APPROVED: M. REED	09/27/04	
		DRAWING ARCHIVE LOCATION: <a href="http://dovinc1.as.arizona.edu/ccod/default.html">http://dovinc1.as.arizona.edu/ccod/default.html</a>		APPROVED:		PLOT SIZE SCALE: D -
				APPROVED:		DRAWING NUMBER: 14243
				APPROVED:		REVISION: B
						SHEET 2 OF 2