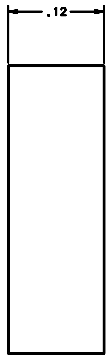
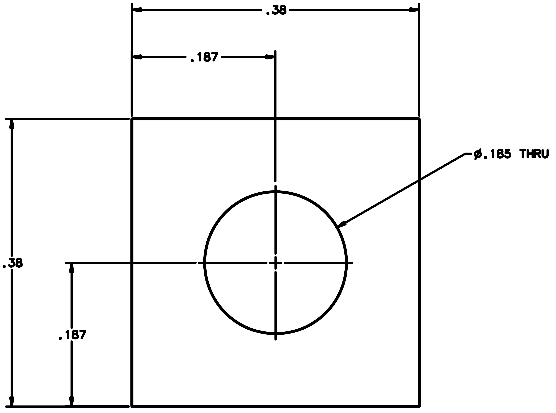


| REVISIONS |                 |          |                       |
|-----------|-----------------|----------|-----------------------|
| LTR       | DESCRIPTION     | DATE     | REVISED BY / APPROVED |
| A         | INITIAL RELEASE | 03/28/04 | J. BROWN / S. LAMB    |



SCALE 16:1

- NOTES:
- BREAK SHARP EDGES & DEBURR.
  - MACHINED SURFACE FINISH TO BE 125 RMS OR BETTER.
  - ANODIZE PER MIL-A-8625, TYPE II, CLASS 2 - BLACK.
  - ALL DIMENSIONS APPLICABLE BEFORE ANODIZING.

|  |  |                          |                          |  |                |
|--|--|--------------------------|--------------------------|--|----------------|
| DO NOT SCALE DRAWING   |  | THIS DRAWING CREATED IN: |                          | Steward Observatory, University of Arizona           |                |
| TOLERANCES UNLESS OTHERWISE SPECIFIED ARE IN ACCORDANCE WITH SAE Y14.5M-94 |  | ASAP                     | ASST                     | 933 N. Cherry Avenue, Tucson, AZ 85721 (520)621-7856 |                |
| TOLERANCES   |  | <input type="checkbox"/> | <input type="checkbox"/> | DESIGNED BY: D. DEAN                                 | DATE: 06/27/04 |
| UNLESS OTHERWISE SPECIFIED   |  |                          |                          | APPROVED BY: G. LAMBIS                               | DATE: 06/27/04 |
| FRACTIONAL DECIMALS  |  |                          |                          | APPROVED BY: M. REED                                 | DATE: 06/27/04 |
| MATERIAL   |  | 14208                    | MMT-MAESTRO              | PROJECT: MAESTRO                                     |                |
| AL ALLOY 6061-T6   |  |                          |                          | TITLE: INJECTION OPTICS HOUSING SHIM                 |                |
| FINISH   |  | ASSEMBLY APPLICATION     |                          | PLAT BY (SHEET)                                      | D -            |
| 3  |  |                          |                          | DESIGN NUMBER  | 14241          |
|  |  |                          |                          | REVISION   | A              |
|  |  |                          |                          | SHEET 1 OF 1   |                |