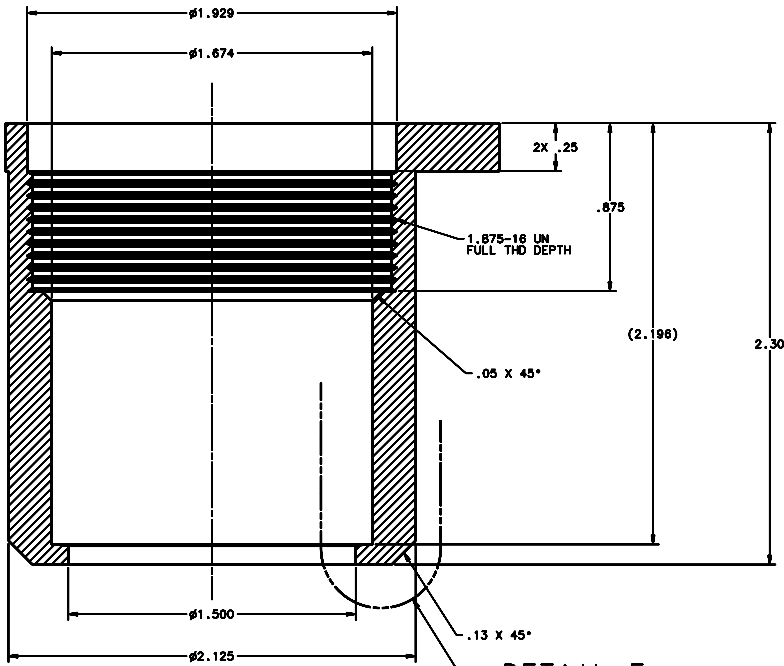
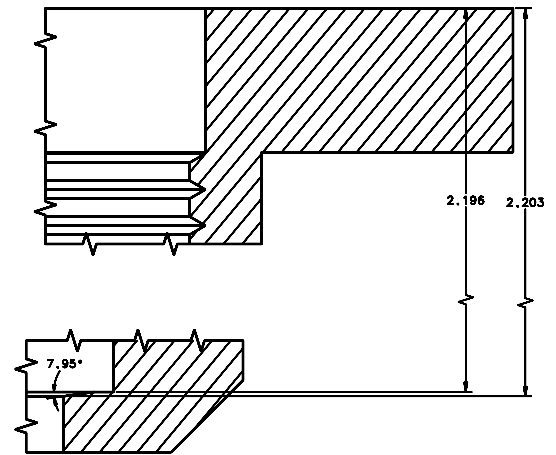


REVISIONS				
LTR	DESCRIPTION	DATE	REVIEWED BY	APPROVED
A	INITIAL RELEASE	03/28/04	J. DEAN	G. LANDIS



SECTION D-D SHT 2

SCALE 4:1



DETAIL E SHT 5

SCALE 12:1

DO NOT SCALE DRAWING		THIS DRAWING CREATED IN:		Steward Observatory, University of Arizona	
TOLERANCES UNLESS OTHERWISE SPECIFIED ARE IN ACCORDANCE WITH ASME Y14.5M-94		ASME	ISO	933 N. Cherry Avenue, Tucson, AZ 85721 (520)621-7850	
TOLERANCES		ASME	ISO	DESIGNED BY: D. DEAN	DATE: 06/27/04
UNLESS OTHERWISE SPECIFIED		ASME	ISO	DRAWN BY: G. LANDIS	DATE: 06/27/04
LINES		ASME	ISO	APPROVED BY: M. NEED	DATE: 06/27/04
DIMENSIONS		ASME	ISO	PROJECT: MAESTRO	
UNLESS OTHERWISE SPECIFIED		ASME	ISO	TITLE: INJECTION OPTICS LENS CAN	
MATERIAL		ALLOY	FINISH	PLAT TO BE BOND:	NUMBER ASSY:
AL ALLOY 6061-T6	14288	MMT-MAESTRO		D -	14238
NEXT ASSY USED ON		APPROVED:		REVISION:	A
FINISH	4	ASSEMBLY APPLICATION		CHECK THE APPROPRIATE LOCATION	
STANDARD ASSY/REV LOCATIONS: http://www.steward-obs.org/maestro/label.html					
					SHEET 5 OF 5