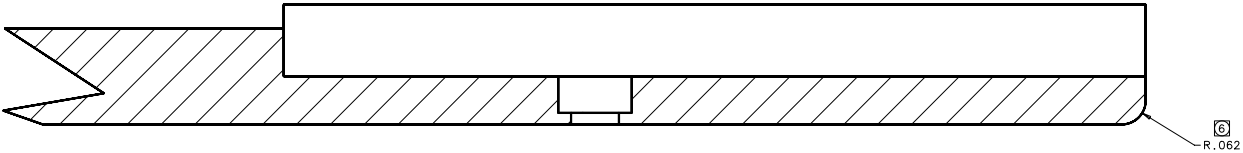
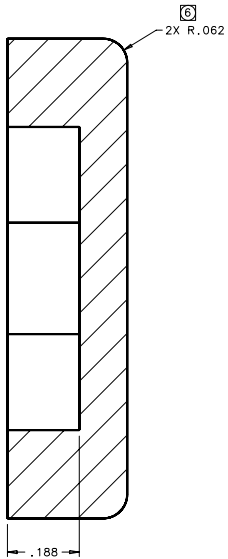


REVISIONS				
LTR	DESCRIPTION	DATE	REVIEWED BY	APPROVED
A	INITIAL RELEASE	03/28/04	J. DEAN	G. LANDIS



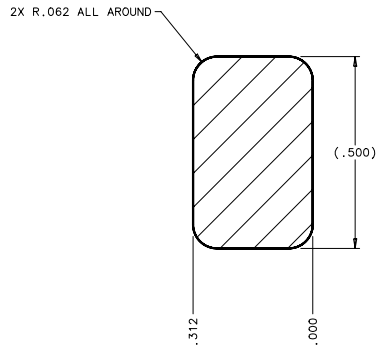
SECTION A-A SHT 1

SCALE 8:1



SECTION B-B SHT 1

SCALE 8:1



SECTION C-C SHT 1

SCALE 8:1

DO NOT SCALE DRAWING		THIS DRAWING CREATED IN:		Steward Observatory, University of Arizona	
TOLERANCES UNLESS OTHERWISE SPECIFIED		ASAP	ISO	933 N. Cherry Avenue, Tucson, AZ 85721 (520)621-7856	
TOLERANCES IN ACCORDANCE WITH ISO 2768-MS		<input type="checkbox"/>	<input checked="" type="checkbox"/>	DESIGNED BY: D. DEAN	DATE: 06/27/04
TOLERANCES				APPROVED BY: G. LANDIS	DATE: 06/27/04
UNLESS OTHERWISE SPECIFIED				APPROVED BY: M. NEED	DATE: 06/27/04
LINES: 1/16" = 1"				PROJECT: MAESTRO	
DIMENSIONS: 1/16" = 1"				TITLE: SLIT SLIDE LOADER PLATE	
FINISH: 1/16" = 1"				PART OR BOM#: D -	
MATERIAL: AL ALLOY 6061-T6		14212	MMT-MAESTRO	QUANTITY ORDERED: 14213	REVISION: A
FINISH: 4		ASSEMBLY APPLICATION:		SHEET 2 OF 3	