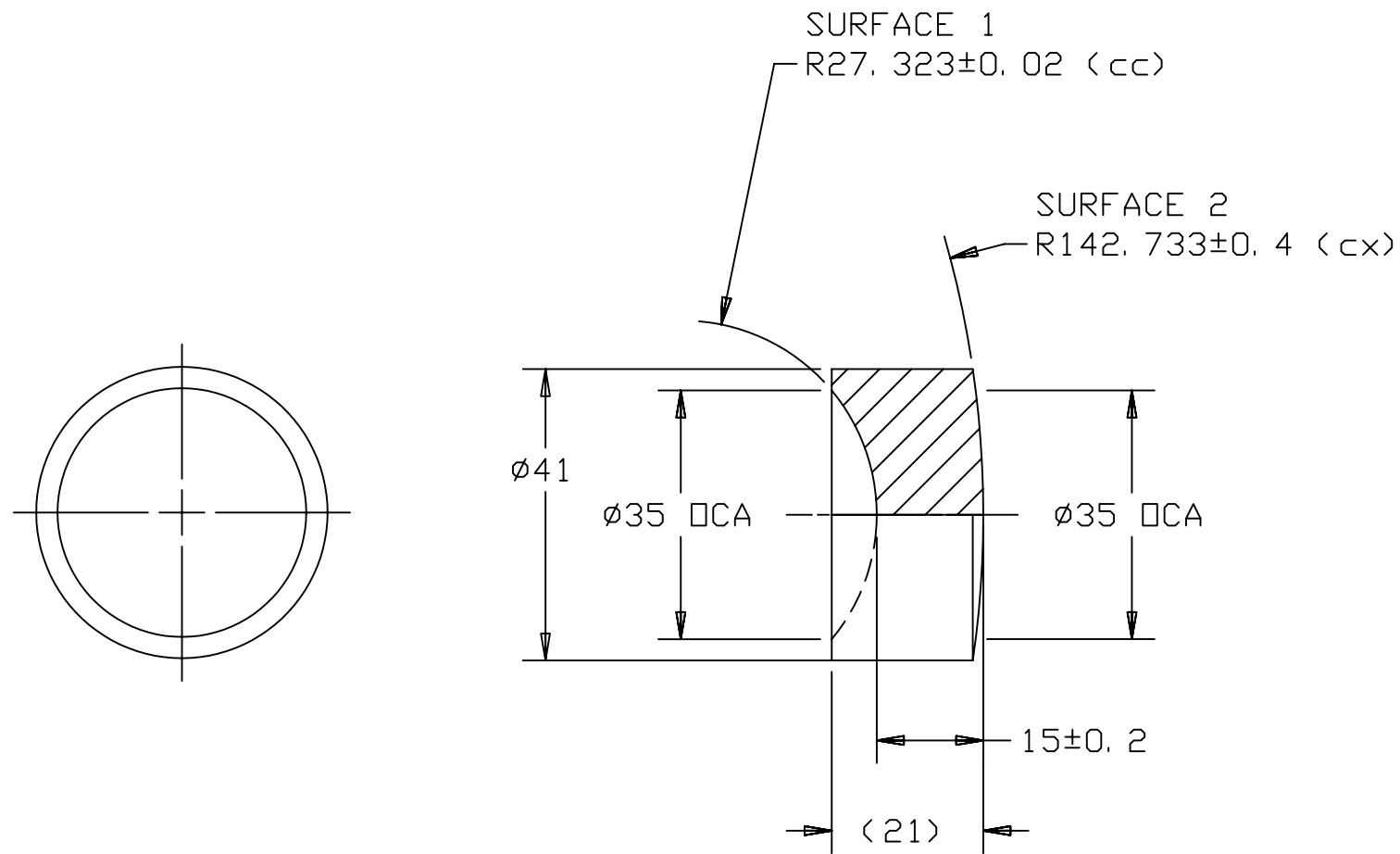


REVISIONS				
LTR	DESCRIPTION	DATE	REVISED BY	APPROVED
A	INITIAL RELEASE	6/25/03	R. NAGY	M. REED



NOTES:

- 1 ALL DIMENSIONS ARE IN MILLIMETERS.
2. OPTICAL ELEMENT MUST MEET DIMENSIONAL & INFORMATIONAL SPECIFICATIONS.
3. COMBINED AXIAL RUN OUT FROM SURFACES 1 & 2 (WEDGE) TO BE 0.025.
4. SURFACE SPECIFICATIONS:

SURFACES 1 & 2:

POWER/IRR . . . 4.0/1.0

1

DO NOT SCALE DRAWING INTERPRET DIMENSIONS AND TOLERANCES IN ACCORDANCE WITH ASME Y14.5M-94	THIS DRAWING CREATED IN: ACAD <input type="checkbox"/> MECH <input type="checkbox"/> IDEAS <input checked="" type="checkbox"/>	Steward Observatory, University of Arizona 933 N. Cherry Avenue, Tucson, AZ 85721 (520)621-7659		
TOLERANCES UNLESS OTHERWISE SPECIFIED LINEAR ANGULAR .X = NA NA .XX = NA .XXX = NA DIAMETRICAL SEE SPEC S-002		DESIGNED BY: M. REED/D. DEAN	DATE: 6/12/03	CATEGORY: MMT
		DRAWN BY: R. NAGY	6/19/03	PROJECT: MAESTRO
		CHECKED BY: M. REED	6/25/03	TITLE: LENS-INJECTION OPTICS- ELEMENT 2
		APPROVED: M. REED	6/25/03	
		APPROVED:		
MATERIAL FUSED SILICA	-	APPROVED:		PLOT SIZE SCALE: B 1/1
FINISH NONE	ASSEMBLY APPLICATION	APPROVED:		DRAWING NUMBER: 12939
		CURRENT TIME/DATE/FILE LOCATION:		REVISION: A
		DRAWING ARCHIVE LOCATION: http://davinci.as.arizona.edu/acad/default.html		SHEET 1 OF 1