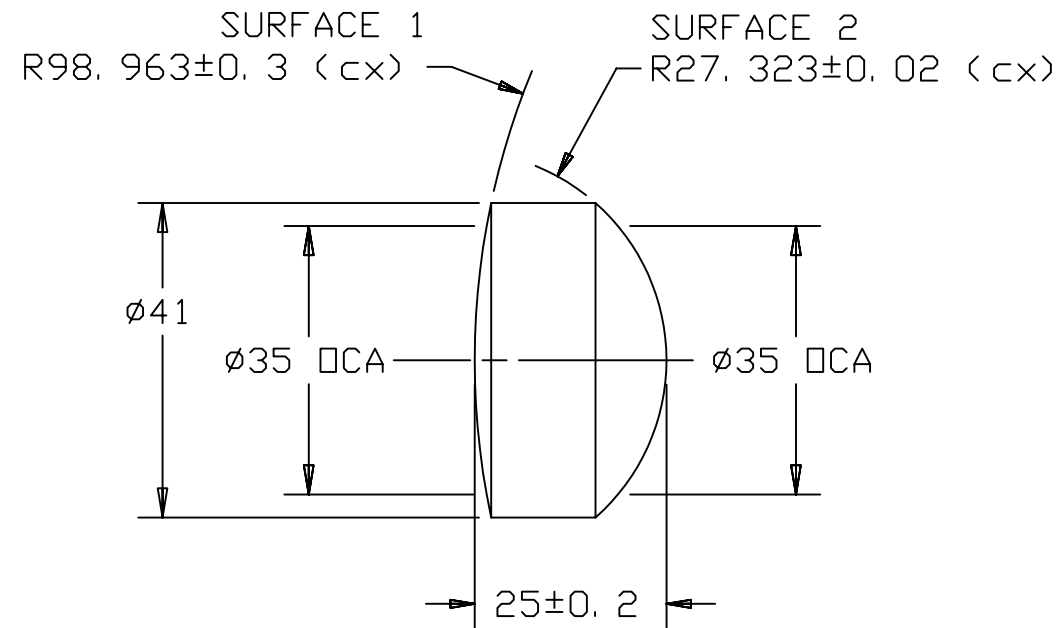


REVISIONS				
LTR	DESCRIPTION	DATE	REVISED BY	APPROVED
A	INITIAL RELEASE	6/25/03	R. NAGY	M. REED



NOTES:

- 1 ALL DIMENSIONS ARE IN MILLIMETERS.
2. OPTICAL ELEMENT MUST MEET DIMENSIONAL & INFORMATIONAL SPECIFICATIONS.
3. COMBINED AXIAL RUN OUT FROM SURFACES 1 & 2 (WEDGE) TO BE 0.05.
4. SURFACE SPECIFICATIONS:

SURFACES 1 & 2:

POWER/IRR . . . 4.0/1.0

1

DO NOT SCALE DRAWING	THIS DRAWING CREATED IN:			Steward Observatory, University of Arizona 933 N. Cherry Avenue, Tucson, AZ 85721 (520)621-7659			
INTERPRET DIMENSIONS AND TOLERANCES IN ACCORDANCE WITH ASME Y14.5M-94	ACAD <input type="checkbox"/>	MECH <input type="checkbox"/>	IDEAS <input checked="" type="checkbox"/>	DESIGNED BY: M. REED/D. DEAN	DATE: 6/12/03	CATEGORY: MMT	
TOLERANCES UNLESS OTHERWISE SPECIFIED				DRAWN BY: R. NAGY	6/19/03	PROJECT: MAESTRO	
LINEAR .X = NA .XX = NA .XXX = NA				CHECKED BY: M. REED	6/25/03	TITLE: LENS-INJECTION OPTICS-ELEMENT 1	
ANGULAR NA				APPROVED: M. REED	6/25/03		
DIAMETRICAL SEE SPEC S-002				APPROVED:			
DIMENSIONS ARE IN INCHES / DIMENSIONS IN () ARE METRIC				APPROVED:		PLOT SIZE B	SCALE: 1/1
MATERIAL CAFL - CAF2	-	MMT		APPROVED:		DRAWING NUMBER: 12938	REVISION: A
FINISH NONE				ASSEMBLY APPLICATION			
				CURRENT TIME/DATE/FILE LOCATION:			
				DRAWING ARCHIVE LOCATION: http://davinci.as.arizona.edu/acad/default.html	SHEET 1 OF 1		