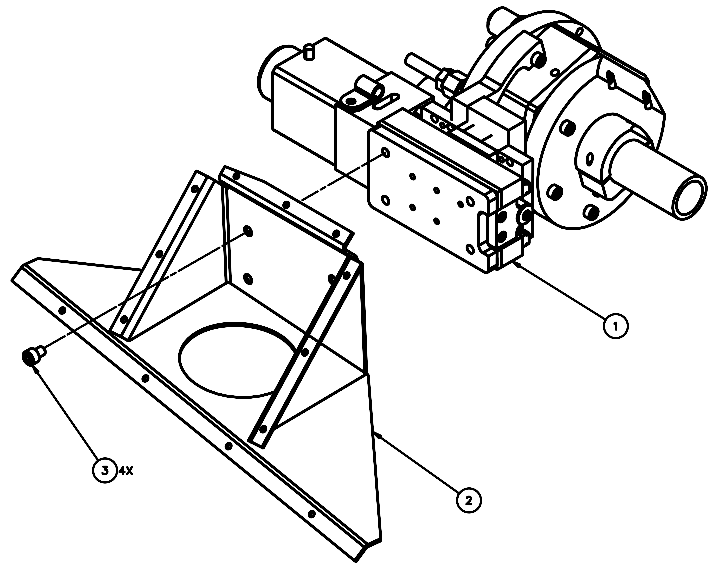


SCALE 1:2



SCALE 1:1

REVISIONS				
LTR	DESCRIPTION	DATE	REVIEWED BY	APPROVED
A	INITIAL RELEASE	03/28/04	J. BROWN	S. LANDIS

QTY	REF	PART NUMBER	DESCRIPTION	UNIT OF MEASURE	REVISION
4	4	92196A309	.190-24 UNC X .250 SHCS	McMASTER CARR	3
1	1	14270	GUIDE CAMERA MOUNTING BOX		2
1	1	14174	GUIDE CAMERA ASSEMBLY		1

DO NOT SCALE DRAWING		THIS DRAWING CREATED IN:		LIST OF MATERIALS	
INTERPRET DIMENSIONS AND TOLERANCES IN ACCORDANCE WITH ISO 1101:2004		<input type="checkbox"/> ANSYS <input type="checkbox"/> CATIA <input checked="" type="checkbox"/> ITCAR		Steward Observatory, University of Arizona 933 N. Cherry Avenue, Tucson, AZ 85721 (520)621-7850	
TOLERANCES		DESIGNED BY: D. DEAN DATE: 06/27/04 CHECKED BY: G. LANDIS DATE: 06/27/04 APPROVED BY: M. REED DATE: 06/27/04		PROJECT: MAESTRO TITLE: GUIDE CAMERA & MOUNTING ASSEMBLY	
UNLESS OTHERWISE SPECIFIED DIMENSIONS ARE IN INCHES DECIMALS AND FRACTIONS UNLESS OTHERWISE SPECIFIED		MATERIAL: TBD NEXT ASSY USED ON: MMT-MAESTRO		PLAT TO BE USED: D - DRAWING NUMBER: 14271 REVISION: A	
FINISH		ASSEMBLY APPLICATION		SHEET 1 OF 1	