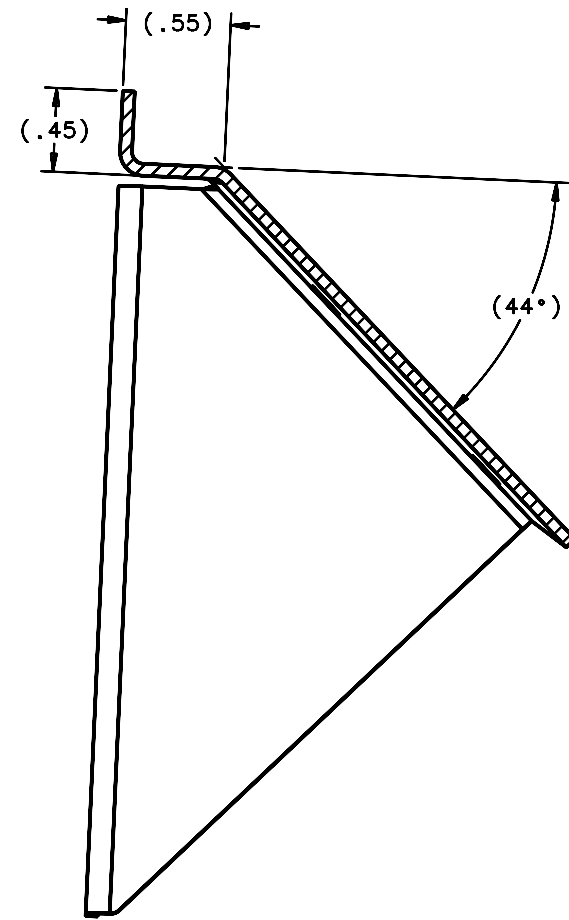
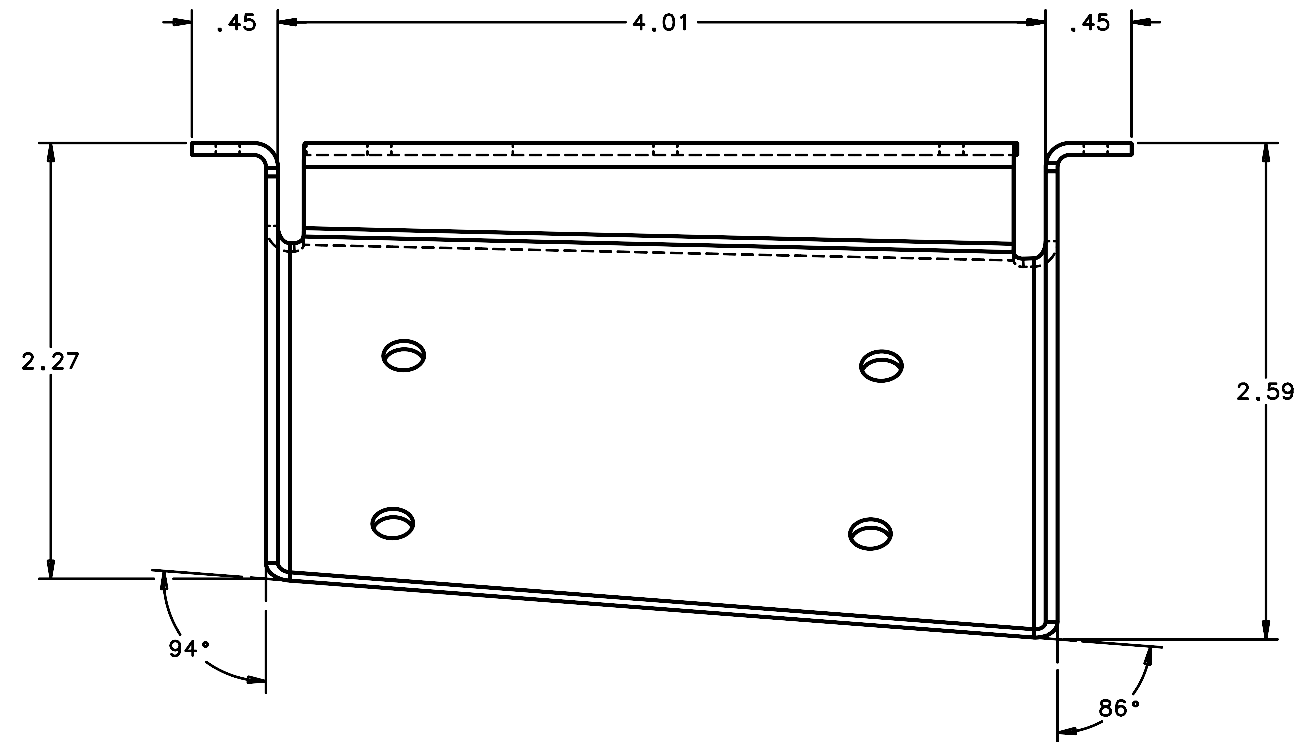


REVISIONS				
LTR	DESCRIPTION	DATE	REVISED BY	APPROVED
A	INITIAL RELEASE	03/29/05	J. BRENNAN	G. LANDIS
B	ADDED FLAT PATTERNS & HEAT TREAT NOTE; REARRANGED & REDIMENSIONED SOME VIEWS; NO DESIGN CHANGES	6/31/05	J. BRENNAN/ R. NAGY	R. WARNER



SECTION G-G SHT 5  
SCALE 2:1



VIEW H-H SHT 5  
SCALE 2:1

DO NOT SCALE DRAWING INTERPRET DIMENSIONS AND TOLERANCES IN ACCORDANCE WITH ASME Y14.5M-94		THIS DRAWING CREATED IN: ACAD <input type="checkbox"/> MECH <input type="checkbox"/> IDEAS <input checked="" type="checkbox"/>		Steward Observatory, University of Arizona 933 N. Cherry Avenue, Tucson, AZ 85721 (520)621-7659		
TOLERANCES UNLESS OTHERWISE SPECIFIED LINEAR ANGLAR .X = NA ± 1° .XX = ±.03 .XXX = ±.010 DIAMETRICAL SEE SPEC S-002				DESIGNED BY: D. DEAN	DATE: 09/23/04	CATEGORY: MMT
DIMENSIONS ARE IN INCHES / DIMENSIONS IN [ ] ARE METRIC				DRAWN BY: R. ABALDO	09/23/04	PROJECT: MAESTRO
MATERIAL INVAR 36 ALLOY, 16 B.G. (.0625)		14271 MMT-MAESTRO		CHECKED BY: G. LANDIS	09/23/04	TITLE: GUIDE CAMERA MOUNTING BOX
FINISH <input checked="" type="checkbox"/>		NEXT ASSY USED ON		APPROVED: M. REED	09/23/04	
ASSEMBLY APPLICATION				APPROVED:		PLOT SIZE SCALE: D -
				APPROVED:		DRAWING NUMBER: 14270
				CURRENT TIME/DATE/FILE LOCATION:		REVISION: B
				DRAWING ARCHIVE LOCATION: <a href="http://dovinc1.es.arizona.edu/ccad/default.html">http://dovinc1.es.arizona.edu/ccad/default.html</a>		SHEET 8 OF 8