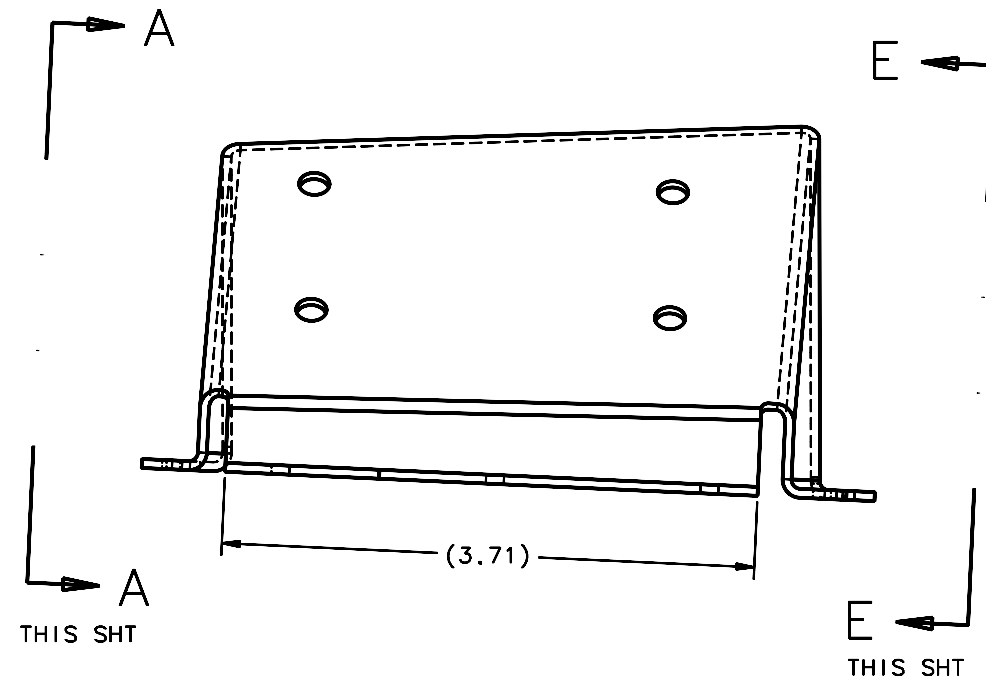
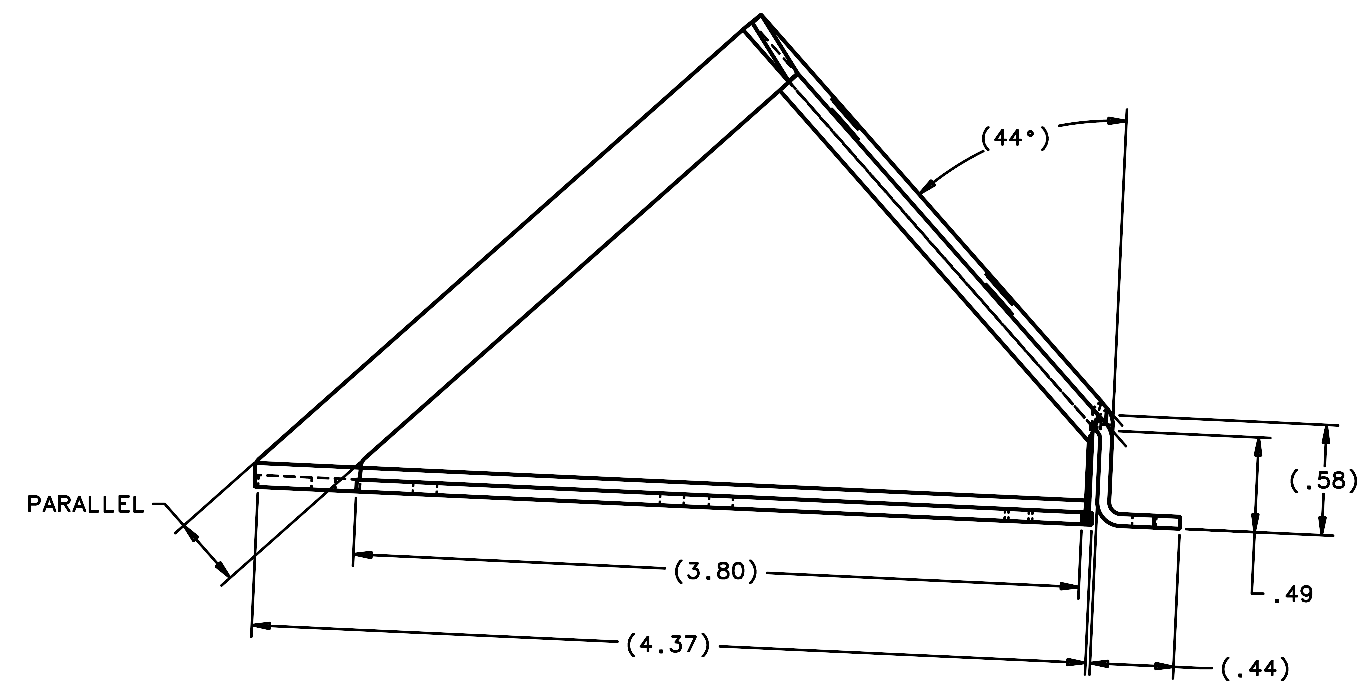


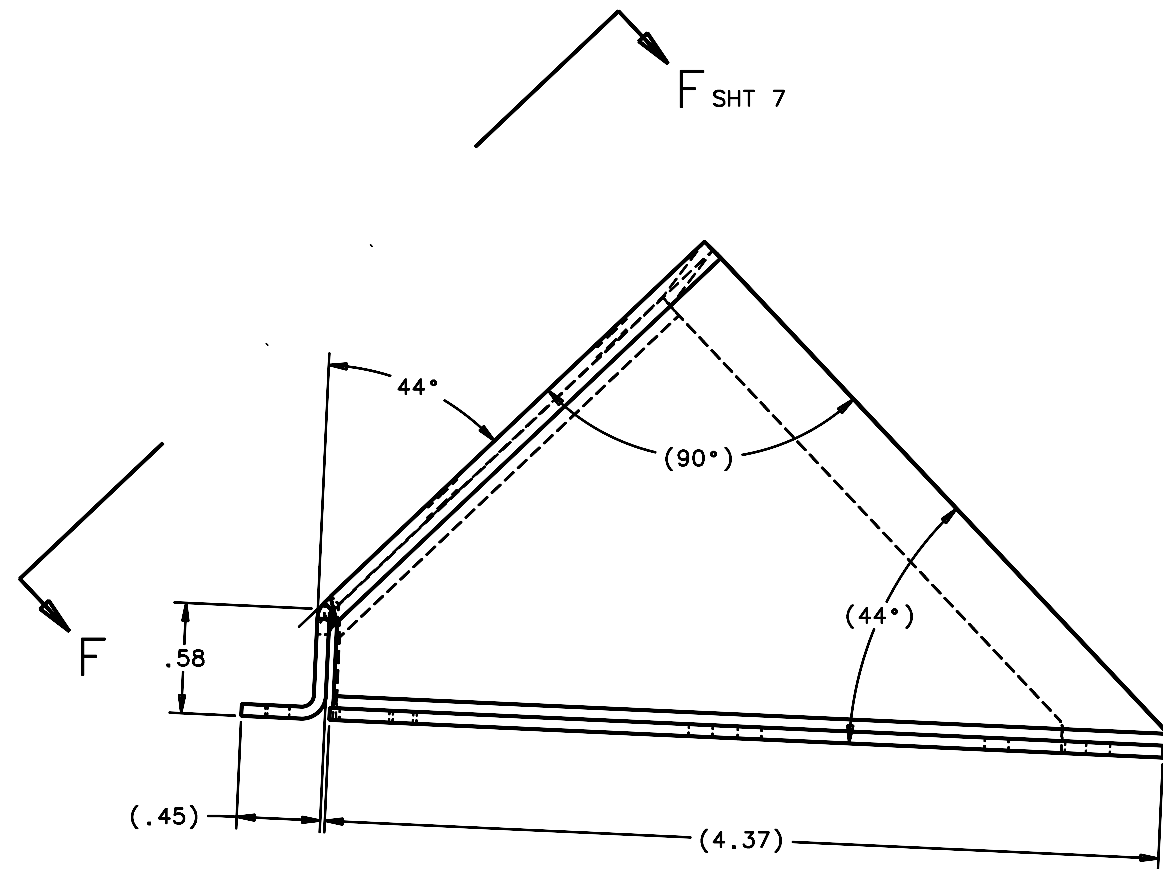
REVISIONS				
LTR	DESCRIPTION	DATE	REVISED BY	APPROVED
A	INITIAL RELEASE	03/29/05	J. BRENNAN	G. LANDIS
B	ADDED FLAT PATTERNS & HEAT TREAT NOTE; REARRANGED & REDIMENSIONED SOME VIEWS; NO DESIGN CHANGES	6/31/05	J. BRENNAN/ R. NAGY	R. WARNER



VIEW D-D SHT 5  
SCALE 1 1/2:1



VIEW A-A THIS SHT  
SCALE 2:1



VIEW E-E THIS SHT  
SCALE 2:1

DO NOT SCALE DRAWING INTERPRET DIMENSIONS AND TOLERANCES IN ACCORDANCE WITH ASME Y14.5M-94		THIS DRAWING CREATED IN: ACAD <input type="checkbox"/> MECH <input type="checkbox"/> IDEAS <input checked="" type="checkbox"/>		Steward Observatory, University of Arizona 933 N. Cherry Avenue, Tucson, AZ 85721 (520)621-7659	
TOLERANCES UNLESS OTHERWISE SPECIFIED LINEAR .XX = ±.03 .XXX = ±.010 ANGULAR ± 1° DIAMETRICAL SEE SPEC S-002		DESIGNED BY: D. DEAN	DATE: 09/23/04	CATEGORY: MMT	
DRAWING ARE IN INCHES / DIMENSIONS IN 1:1 ARE METRIC		DRAWN BY: R. ABALDO	09/23/04	PROJECT: MAESTRO	
MATERIAL INVAR 36 ALLOY, 16 B.G. (.0625)		CHECKED BY: G. LANDIS	09/23/04	TITLE: GUIDE CAMERA MOUNTING BOX	
FINISH 3		APPROVED: M. REED	09/23/04	DRAWING NUMBER: 14270	
ASSEMBLY APPLICATION		APPROVED:		PLOT SIZE SCALE: D -	REVISION: B
		CURRENT TIME/DATE/FILE LOCATION:		SHEET 6 OF 8	
		DRAWING ARCHIVE LOCATION: <a href="http://dovinci.es.arizona.edu/ocod/default.html">http://dovinci.es.arizona.edu/ocod/default.html</a>			