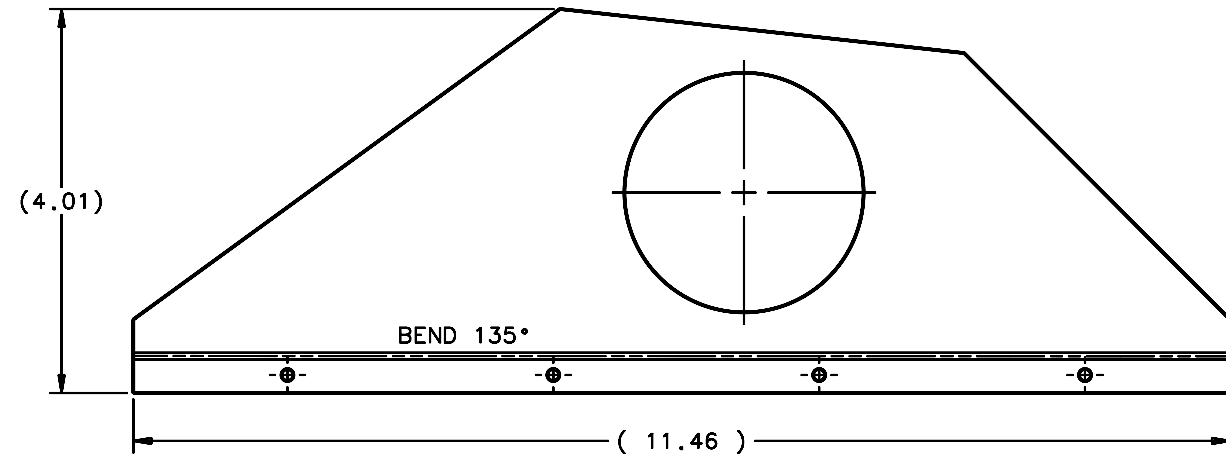
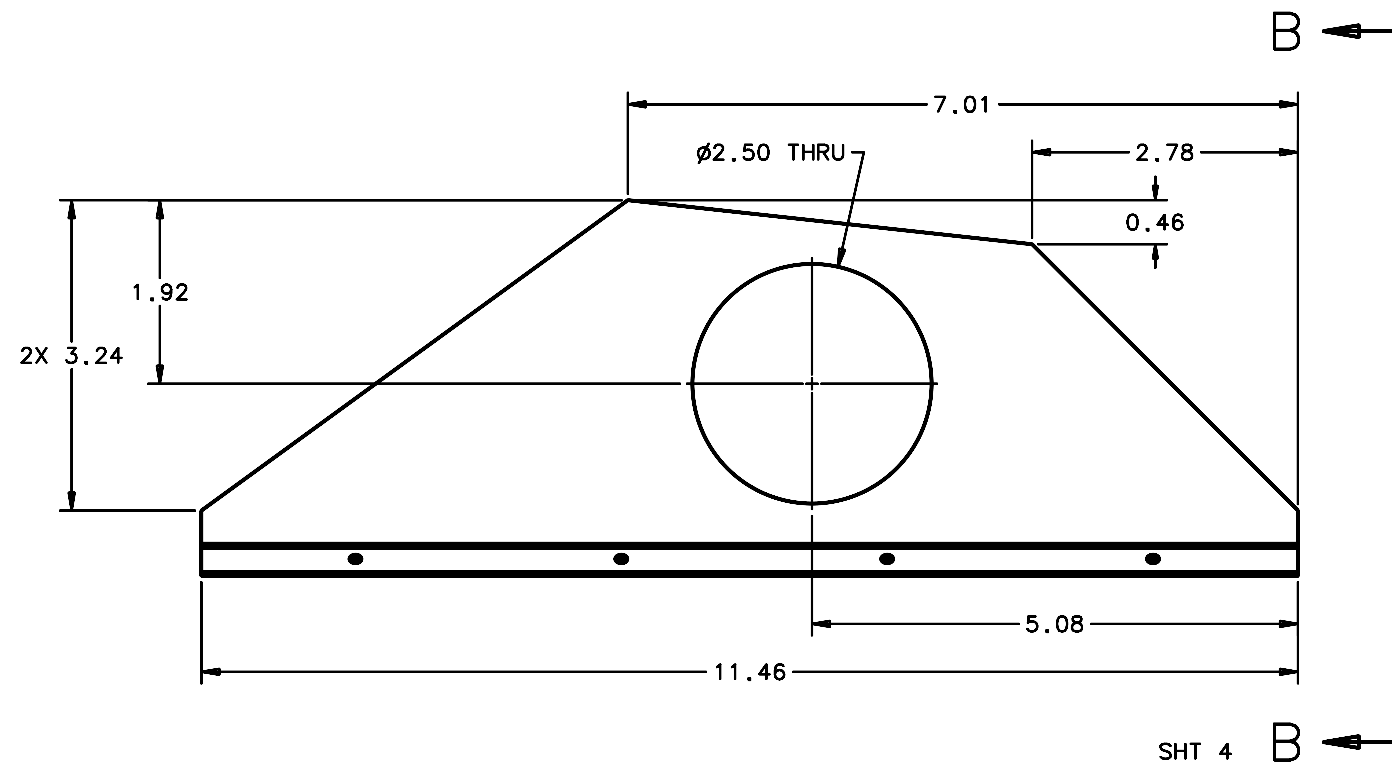


REVISIONS				
LTR	DESCRIPTION	DATE	REVISED BY	APPROVED
A	INITIAL RELEASE	03/29/05	J. BRENNAN	G. LANDIS
B	ADDED FLAT PATTERNS & HEAT TREAT NOTE; REARRANGED & REDIMENSIONED SOME VIEWS; NO DESIGN CHANGES	6/31/05	J. BRENNAN/ R. NAGY	R. WARNER



FLAT PATTERN

SCALE 1:1
FOR REF ONLY



① **GUIDE CAMERA MOUNTING BOX PLATE 1**

SHT 2
SCALE 1:1

SHT 4

DO NOT SCALE DRAWING		THIS DRAWING CREATED IN:			Steward Observatory, University of Arizona		
INTERPRET DIMENSIONS AND TOLERANCES IN ACCORDANCE WITH ASME Y14.5M-94		ACAD	MECH	IDEAS	933 N. Cherry Avenue, Tucson, AZ 85721 (520)621-7659		
TOLERANCES UNLESS OTHERWISE SPECIFIED		<input type="checkbox"/>	<input type="checkbox"/>	<input checked="" type="checkbox"/>	DESIGNED BY:	DATE:	CATEGORY:
LINEAR					D. DEAN	09/23/04	MMT
ANGULAR					DRAWN BY:	09/23/04	PROJECT:
.X = NA ± 1°					R. ABALDO		MAESTRO
.XX = ±.03					CHECKED BY:	09/23/04	TITLE:
.XXX = ±.010					G. LANDIS		GUIDE CAMERA MOUNTING BOX
DIAMETRICAL SEE SPEC S-002					APPROVED:	09/23/04	
DIMENSIONS ARE IN INCHES / DIMENSIONS IN 1:1 ARE METRIC					APPROVED:		
MATERIAL		14271	MMT-MAESTRO		APPROVED:		PLOT SIZE SCALE:
INVAR 36 ALLOY, 16 B.G. (.0625)		NEXT ASSY	USED ON		APPROVED:		D -
FINISH 3		ASSEMBLY APPLICATION			CURRENT TIME/DATE/FILE LOCATION:		
					DRAWING ARCHIVE LOCATION: http://dov.incl.us.arizona.edu/ccod/default.html		
						DRAWING NUMBER:	REVISION:
						14270	B
							SHEET 3 OF 8